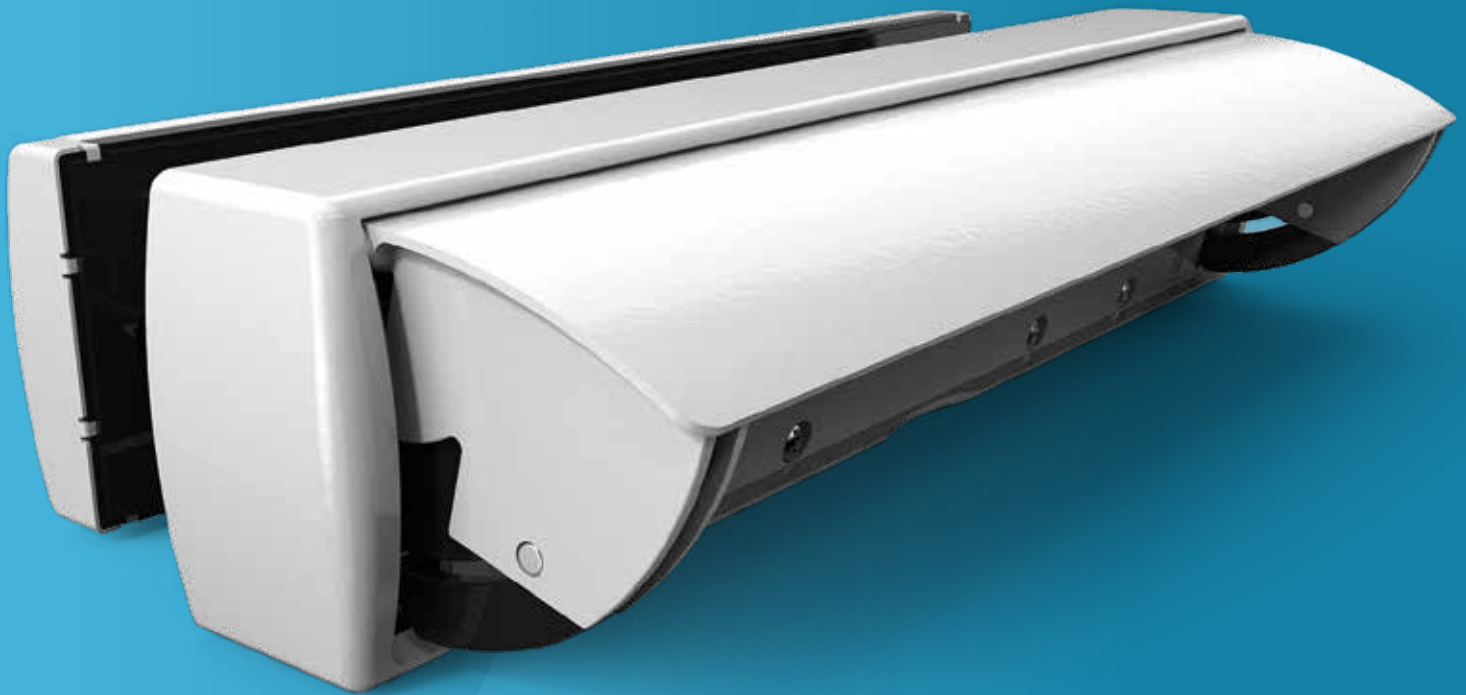


# SupaSecure **TS008 CERTIFIED** **LETTERPLATE** ENHANCED SECURITY



Hardware that starts with **you.**



# SupaSecure **TS008 CERTIFIED LETTERPLATE** ENHANCED SECURITY

for composite, timber, aluminium and UPVC doors



Clever security features  
combined with considered design,  
high performance stainless steel  
and simple installation.

TS008 is an **enhanced security specification** for letterplates. It covers attack methods including fishing, ability to manipulate the door lock, removing posted items and forced removal of the letterplate



# TS008 Technology

Our new SupaSecure High Security Letterplate is TS008 certified, Secured by Design approved, Kitemarked, ADQ compliant and meets the requirements of the Postal Services Standard

PATENT GRANTED.  
GB2576184



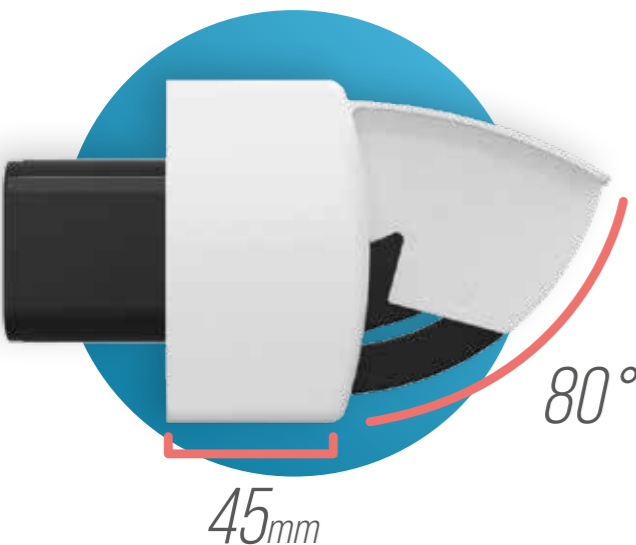
## ANTI-FISHING TECHNOLOGY

Our patented anti-fishing fins operate with a smooth concertina action for clever, secure, restricted flap opening and a compact aesthetic



### Fishing Deflection

An angled postal ramp designed into the aperture deflects items upwards to protect against fishing



### Secure

A restricted opening angle of **80°** enables the TS008 letterplate to be accessible yet secure

### Slim

The compact design of the internal half of the letterplate projects just **45mm** which looks discreet and allows the door to fully open



Integrated drainage channel stops water or condensation pooling, preventing corrosion



Effective weather sealing through a combination of external foam and internal nylon brushes

### Mix & Match

Choose from 5 colours for the internal side of your door



Polished Chrome

Polished Gold

Satin Silver

Black

White



KM735758



## SupaSecure Stainless Steel

Beautifully designed in **high quality stainless steel**, the Supa Secure letterplate features a matching stainless steel frame and flap, in six durable finishes, for a fully coordinated look



### STAINLESS STEEL TECHNOLOGY

Contemporary design with matching stainless steel flap and frame, and a concealed operating mechanism. Tested to 1,000 hours salt spray for a long lasting finish & has achieved a 100kg flap pull test for enhanced security

#### Coordinated

Matching stainless steel frame and flap

#### Reliable

Cycle tested to 20,000 cycles for operational reliability

#### Beautiful

Concealed flap-operating mechanism for a seamless design

#### Strong

Achieved 100kg flap pull test for enhanced security

#### Standard Size

Suitable for door thicknesses 40 - 80mm

#### Intelligent

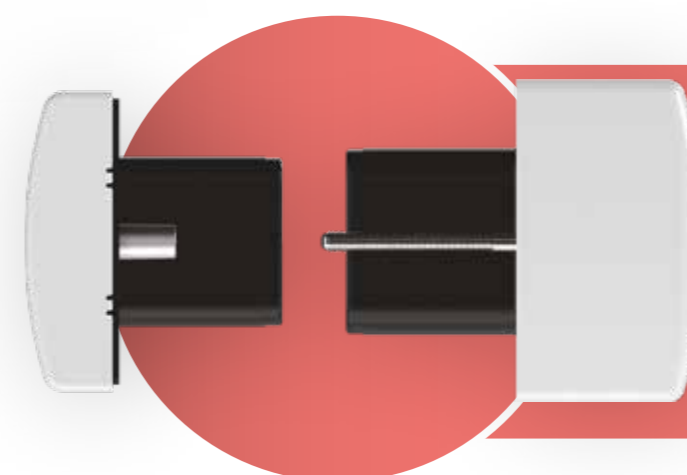
Flap opens fully to 180° without abrasion

#### Durable

Tested to BSEN 1670 Grade 5 achieving 480 hours salt spray. Real-life tested to more than twice the standard to 1056 hours salt spray

#### Extreme Weather Sealing

Tested to BS 6375-1 achieving 150 Pascals water penetration, withstanding 2 litres of water per minute under gale force wind conditions



#### Simple Installation

Ready to fit - straight from the box to the door in one piece, no need to disassemble first

Fits standard aperture - no special fixings or routing required

Fast - fit it in under 2 minutes

#### Mix & Match

Choose from 6 stainless steel colours for the outside of your door



Polished Stainless

Polished Gold PVD Stainless

Brushed Stainless

Brushed Gold PVD Stainless

Black Powder Coated Stainless

White Powder Coated Stainless



# SupaSecure TS008 CERTIFIED LETTERPLATE ENHANCED SECURITY

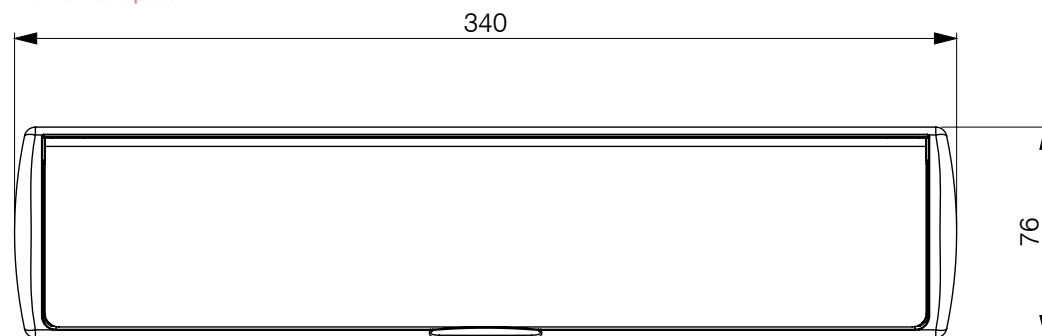
## Part Numbers

	External Letterplate Polished Stainless	External Letterplate Polished Gold PVD Stainless	External Letterplate Brushed Stainless	External Letterplate Brushed Gold PVD Stainless	External Letterplate Black Powder Coated Stainless	External Letterplate White Powder Coated Stainless
Internal Letterplate Polished Chrome	TS008 PSS/CH	-	-	-	-	-
Internal Letterplate Polished Gold	-	TS008 GSS/G	-	-	-	-
Internal Letterplate Satin Silver	-	-	TS008 BSS/SS	-	-	-
Internal Letterplate Black	-	-	-	-	TS008 BLKSS/BLK	-
Internal Letterplate White	TS008 PSS/WHT	TS008 GSS/WHT	TS008 BSS/WHT	TS008 BGSS/WHT	TS008 BLKSS/WHT	TS008 WSS/WHT

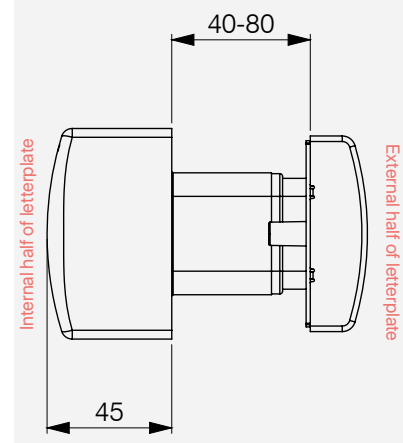
Additional colour combinations available - please contact the Mila sales team on 01327 312 400

## Technical Drawings

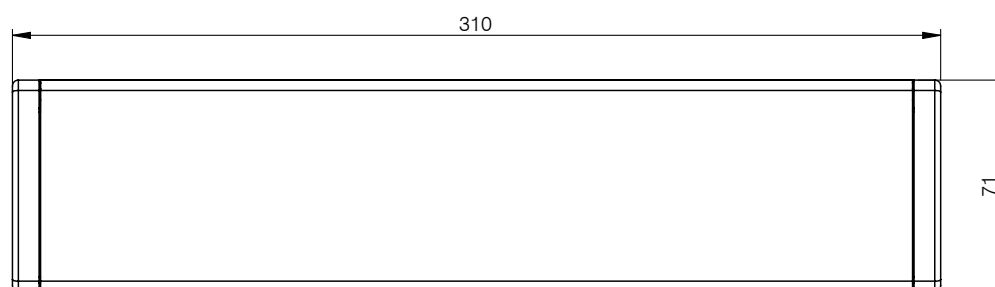
Internal Letterplate



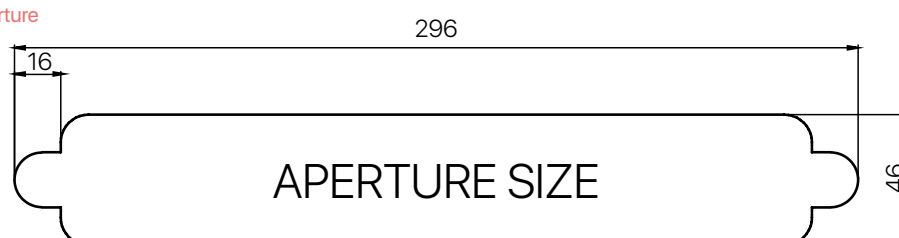
Side View



External Letterplate



Aperture



- Fixing bolts supplied as standard