

NEW

Secured by Design



Police Preferred Specification

EVOLUTION HIGH SECURITY HINGE FOR COMPOSITE DOORS



with **MAGNETIC QUICK FIT TECHNOLOGY**



Hardware that starts with **you.**



EVOLUTION HIGH SECURITY HINGE



FOR COMPOSITE DOORS.



Mila's new Evolution high security hinge for composite doors offers a game-changing combination of high security, slim design and magnetic technology for even faster fitting.

Innovation

The Evolution high security hinge for composite doors delivers installation speed via unique magnetic 'quick fit' technology for fast fitting of the hinge cover. The innovative design locates over guide fins on the sash part of the hinge and high strength N42 Neodymium magnets, with a 0.9Kg pull force, secure the hinge lid into place.

Additionally, the clever all-in-one design eliminates the need for end caps or covers for enhanced efficiency for fabricators.

Installation

The hinge is designed to overlap the frame profile by only 5mm to allow maximum plaster line clearance.

This means that for replacement installations it will reduce the need for frame extensions and for new build installations a smaller frame profile width could be used to comply with the larger clear opening requirements of Approved Document M. The hinge also enables installation of increased energy efficiency products, such as thicker plasterboard around door reveals, to be Approved Document L compliant.

The steel hinge pin and knuckle design offer added strength. Lateral adjustment can be achieved +/- 2mm for precision installation.

High Performance.

The Evolution hinge for composite doors has been independently tested to PAS 24: 2022 for enhanced security, and has achieved 100,000 cycles under 80kg load. It is a Police Preferred Specification product, Secured by Design approved, and is ADQ compliant.

For weather resistance, the hinge has been tested to BSEN 6375-1.

The hinge is backed with a 10 year mechanical guarantee for operational reliability, 10 year guarantee for painted finishes and 5 year guarantee for plated finishes.

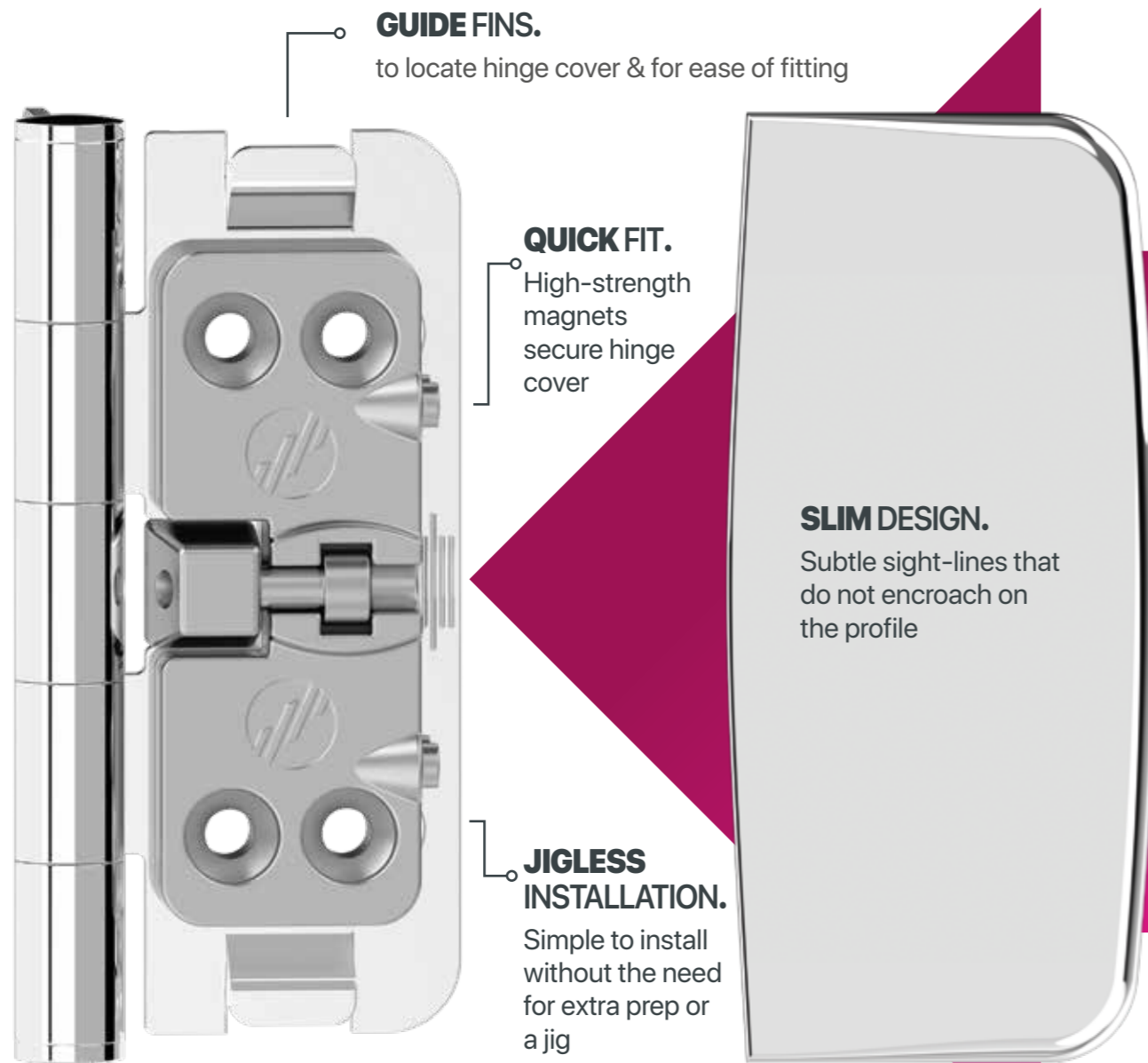


10 FINISHES



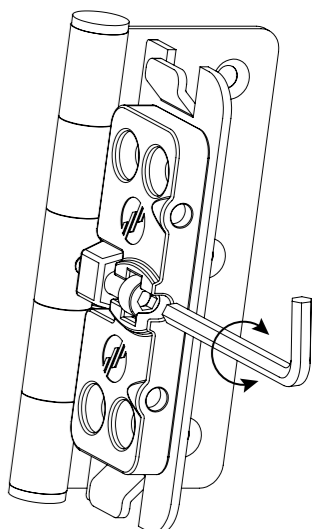
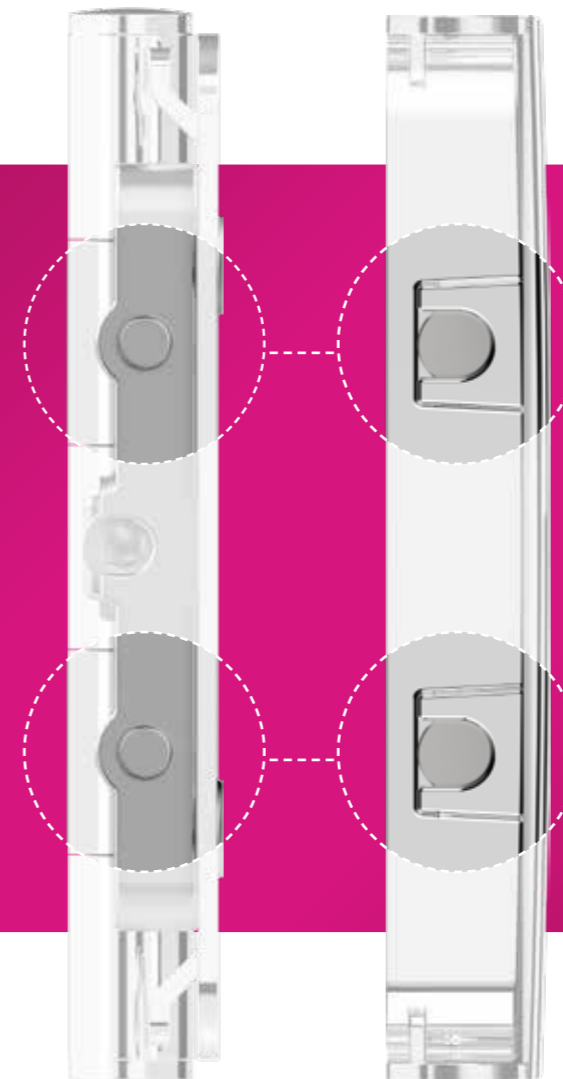
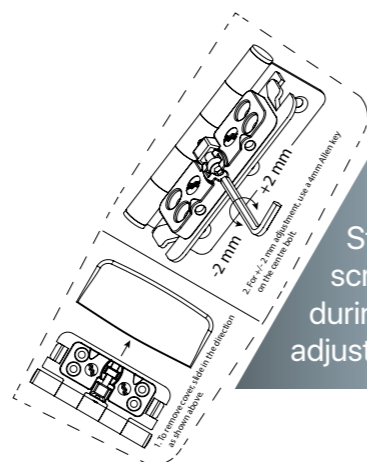
FAST, CLEVER, HIGH PERFORMANCE SLIM & SECURE.

MAGNETIC TECHNOLOGY

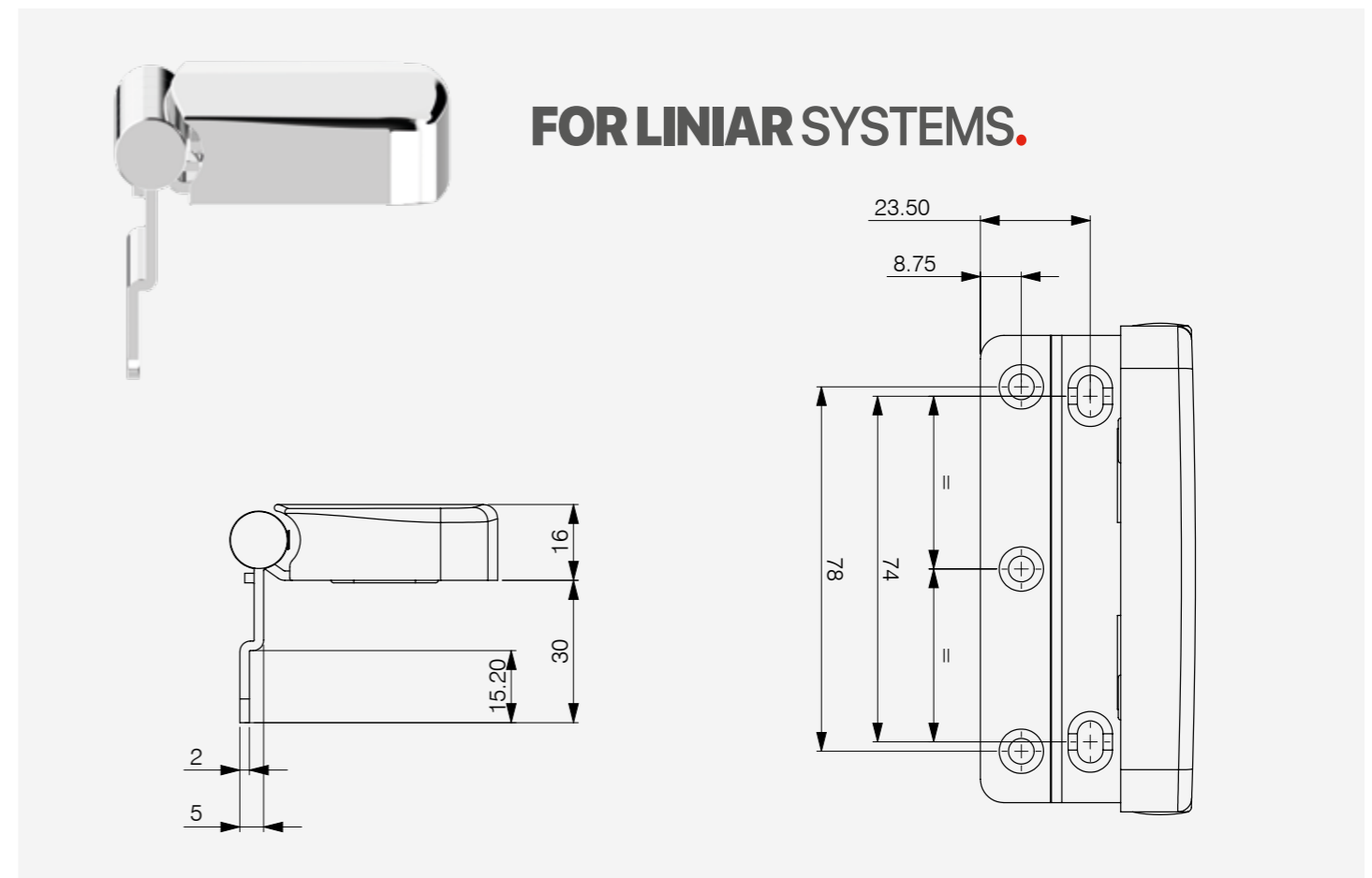
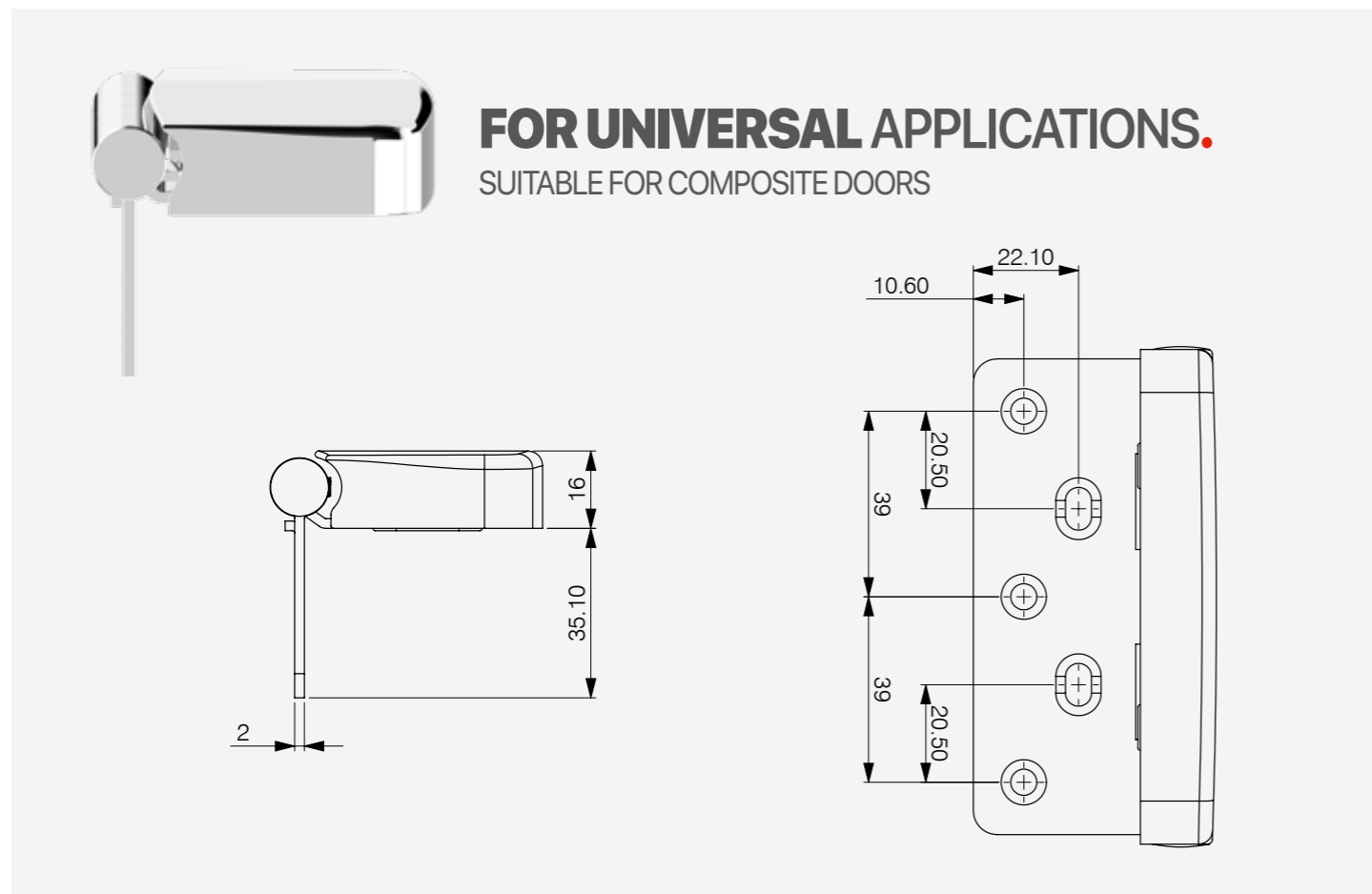
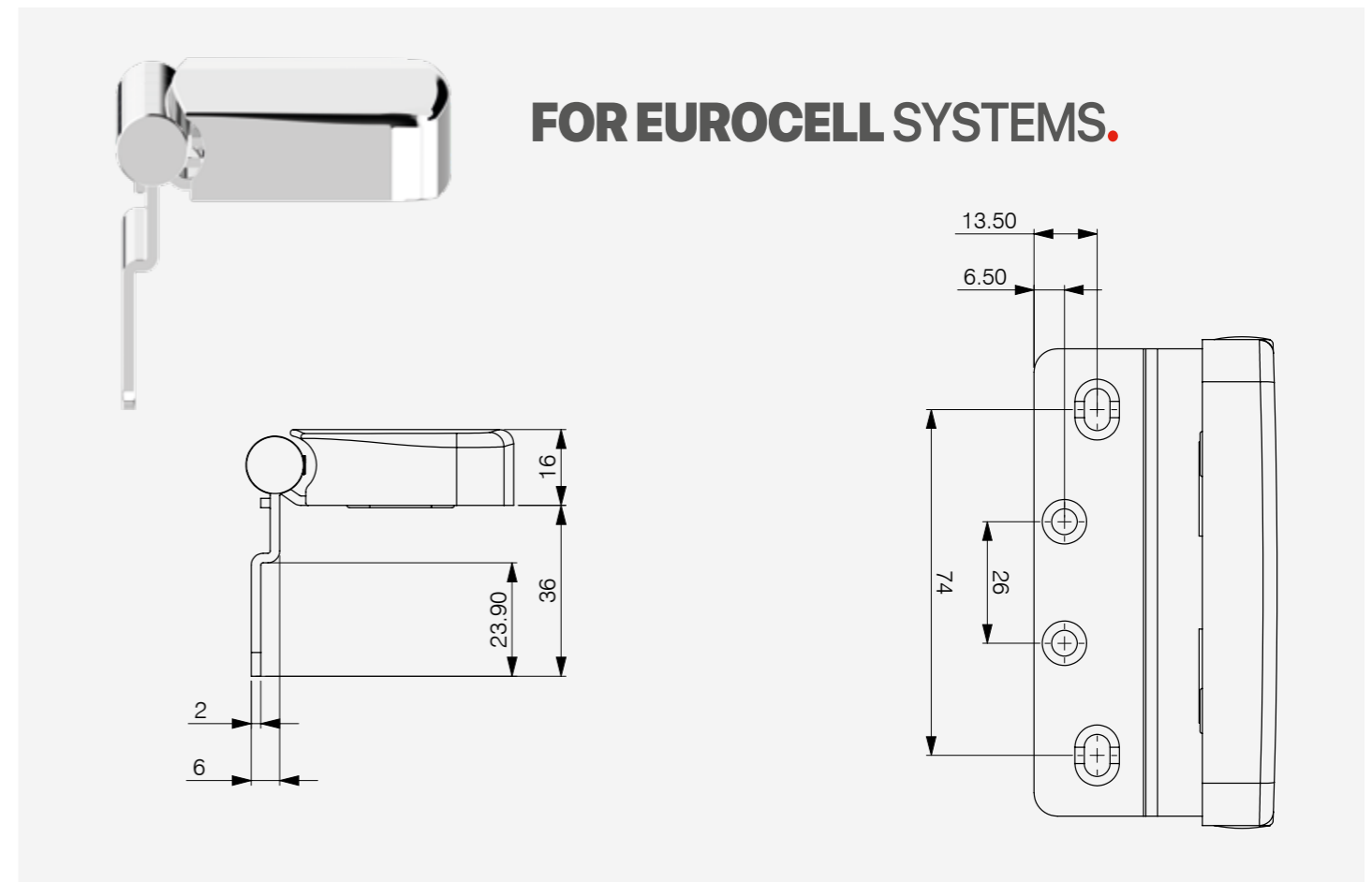
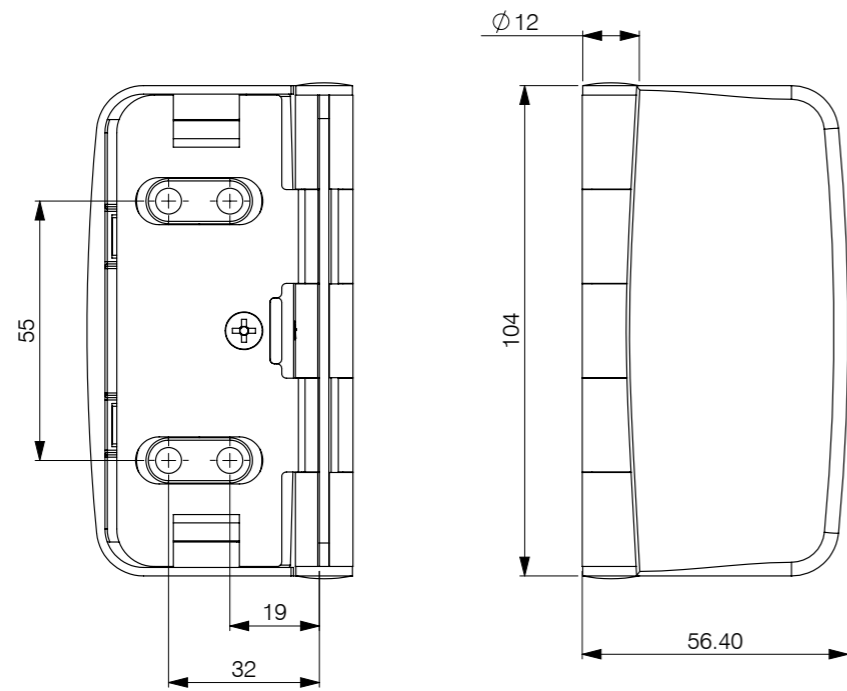


STRONG KNUCKLE DESIGN.
& steel hinge pin for added strength

SUPPLIED FULLY ASSEMBLED.
Ready to fit, straight from the box.



PROFILE RELATED SPECIFICATIONS



PART NUMBERS.



Description	Polished Gold PVD	Polished Chrome	Smokey Chrome	Smooth Satin	Satin Silver	Black	White	Light Oak	Brown	Anthracite Grey
Evolution Composite Door Hinge for Universal systems	021402	021404	021407	021409	021406	021405	021400	021403	021401	021419
Evolution Composite Door Hinge for Eurocell systems	021422	021424	021427	021429	021426	021425	021420	021423	021421	021439
Evolution Composite Door Hinge for Liniar systems	021442	021444	021447	021449	021446	021445	021440	021443	021441	021459

Supplied in box quantities of 48.

If you require an alternative profile related option, please contact the Mila sales office on 01327 312 400.



SCAN ME.

To see more online at mila.co.uk & get a Fast Quote