

SupaSecure **TS008 CERTIFIED** **LETTERPLATE** ENHANCED SECURITY



Hardware that starts with **you**.



SupaSecure **TS008 CERTIFIED LETTERPLATE** ENHANCED SECURITY

for composite, timber, aluminium and UPVC doors



Clever security features
combined with considered design,
high performance stainless steel
and simple installation.

TS008 is an **enhanced security specification** for letterplates. It covers attack methods including fishing, ability to manipulate the door lock, removing posted items and forced removal of the letterplate



KM 735758



TS008 Technology

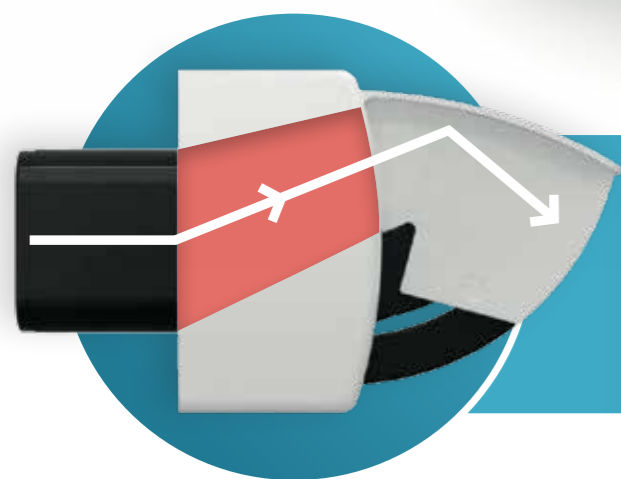
Our new SupaSecure High Security Letterplate is TS008 certified, Secured by Design approved, Kitemarked, ADQ compliant and meets the requirements of the Postal Services Standard

PATENTED DESIGN
Application no.
GB2576184



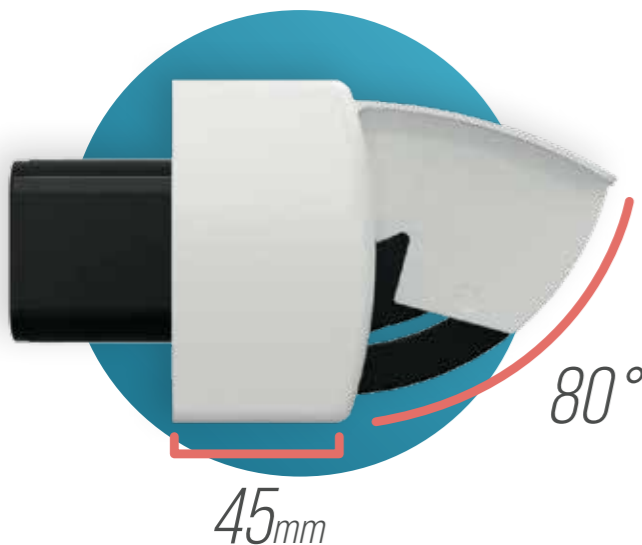
ANTI-FISHING TECHNOLOGY

Our patented anti-fishing fins operate with a smooth concertina action for clever, secure, restricted flap opening and a compact aesthetic



Fishing Deflection

An angled postal ramp designed into the aperture deflects items upwards to protect against fishing



Secure

A restricted opening angle of **80°** enables the TS008 letterplate to be accessible yet secure

Slim

The compact design of the internal half of the letterplate projects just **45mm** which looks discreet and allows the door to fully open



Integrated drainage channel stops water or condensation pooling, preventing corrosion



Effective weather sealing through a combination of external foam and internal nylon brushes

Mix & Match

Choose from 5 colours for the internal side of your door



Polished Chrome

Polished Gold

Satin Silver

Black

White



KM 735758

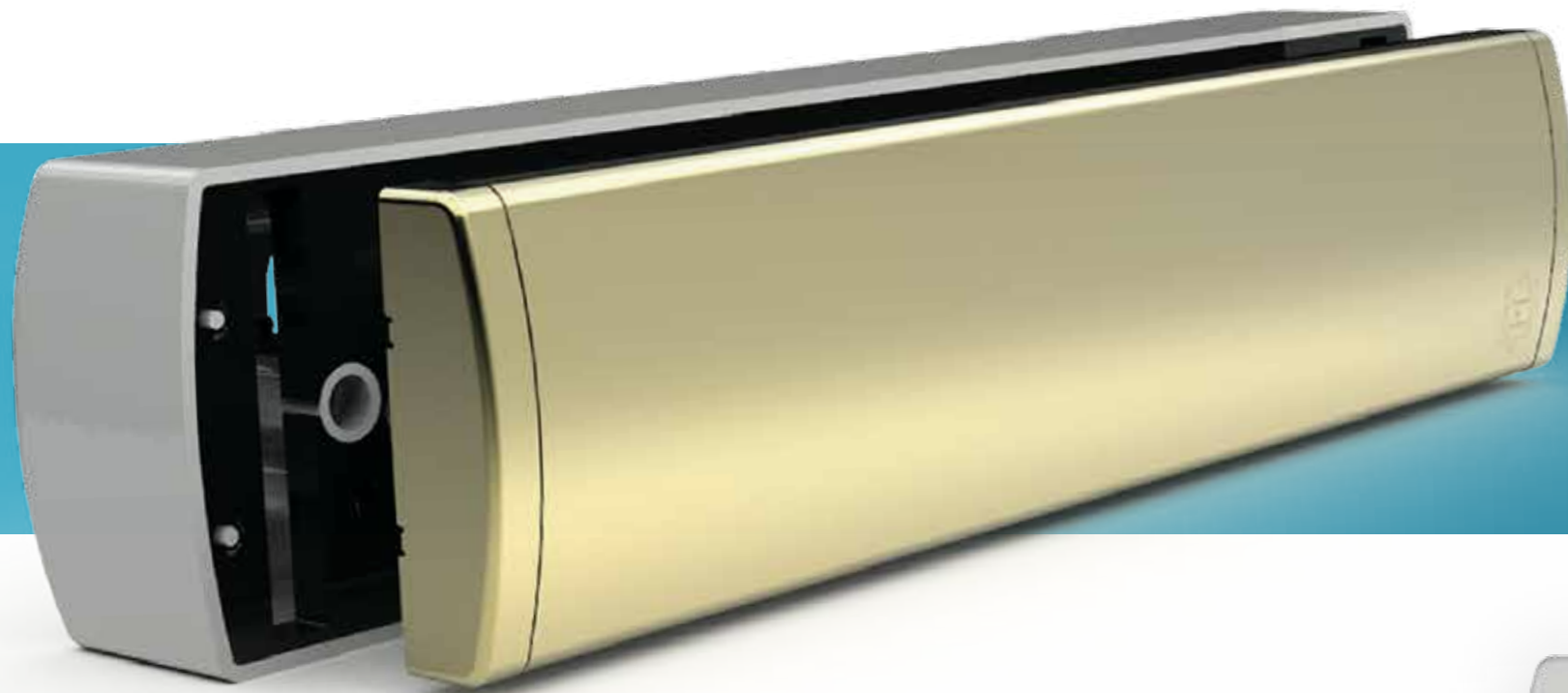


Police Preferred Specification



SupaSecure Stainless Steel

Beautifully designed in high quality stainless steel, the Supa Secure letterplate features a matching stainless steel frame and flap, in six durable finishes, for a fully coordinated look



STAINLESS STEEL TECHNOLOGY

Contemporary design with matching stainless steel flap and frame, and a concealed operating mechanism. Tested to 1,000 hours salt spray for a long lasting finish & has achieved a 100kg flap pull test for enhanced security

Coordinated

Matching stainless steel frame and flap

Reliable

Cycle tested to 20,000 cycles for operational reliability

Beautiful

Concealed flap-operating mechanism for a seamless design

Strong

Achieved 100kg flap pull test for enhanced security

Telescopic

Suitable for door thicknesses 24mm-56mm or 61mm – 91mm with telescopic sleeve extender

Intelligent

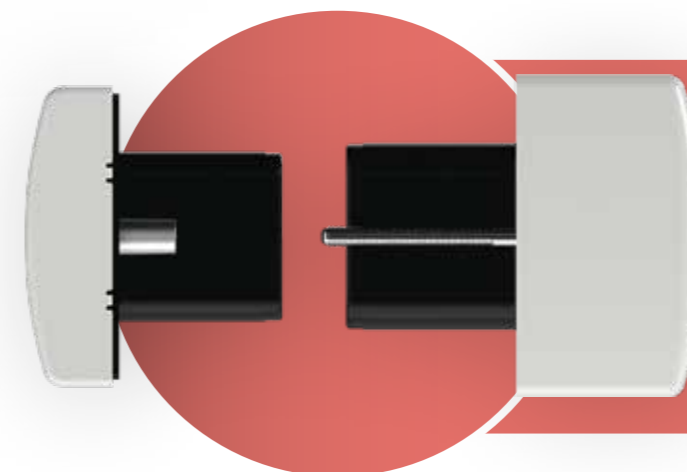
Flap opens fully to 180° without abrasion

Durable

Tested to BSEN 1670 Grade 5 achieving 480 hours salt spray. Real-life tested to more than twice the standard to 1056 hours salt spray

Extreme Weather Sealing

Tested to BS 6375-1 achieving 150 Pascals water penetration, withstanding 2 litres of water per minute under gale force wind conditions



Simple Installation

Ready to fit - straight from the box to the door in one piece, no need to disassemble first
Fits standard aperture - no special fixings or routing required
Fast - fit it in 3 minutes

Mix & Match

Choose from 6 stainless steel colours for the outside of your door



SupaSecure TS008 CERTIFIED LETTERPLATE ENHANCED SECURITY

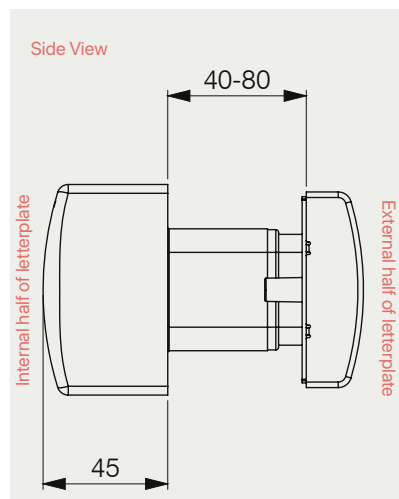
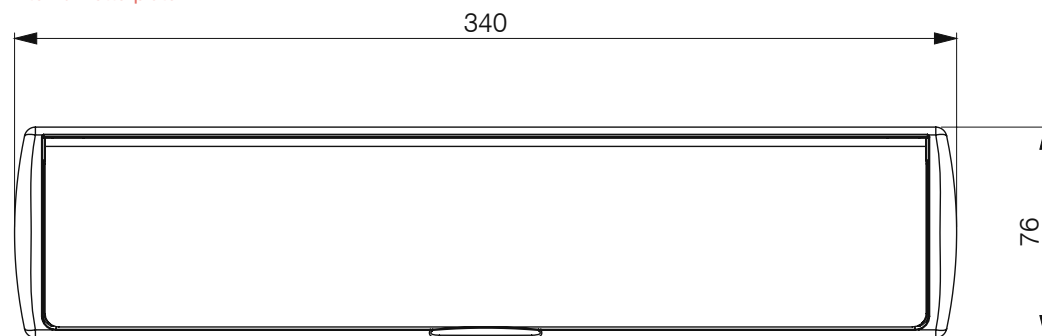
Part Numbers

	External Letterplate Polished Stainless	External Letterplate Polished Gold PVD Stainless	External Letterplate Brushed Stainless	External Letterplate Brushed Gold PVD Stainless	External Letterplate Black Powder Coated Stainless	External Letterplate White Powder Coated Stainless
Internal Letterplate Polished Chrome	TS008 PSS/CH	-	-	-	-	-
Internal Letterplate Polished Gold	-	TS008 GSS/G	-	-	-	-
Internal Letterplate Satin Silver	-	-	TS008 BSS/SS	-	-	-
Internal Letterplate Black	-	-	-	-	TS008 BLKSS/BLK	-
Internal Letterplate White	TS008 PSS/WHT	TS008 GSS/WHT	TS008 BSS/WHT	TS008 BGSS/WHT	TS008 BLKSS/WHT	TS008 WSS/WHT

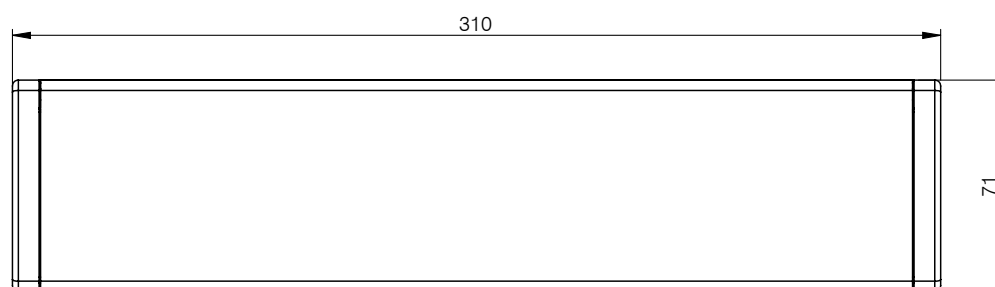
Additional colour combinations available - please contact the Mila sales team on 01327 312 400

Technical Drawings

Internal Letterplate



External Letterplate



- Fixing bolts supplied as standard

Aperture

