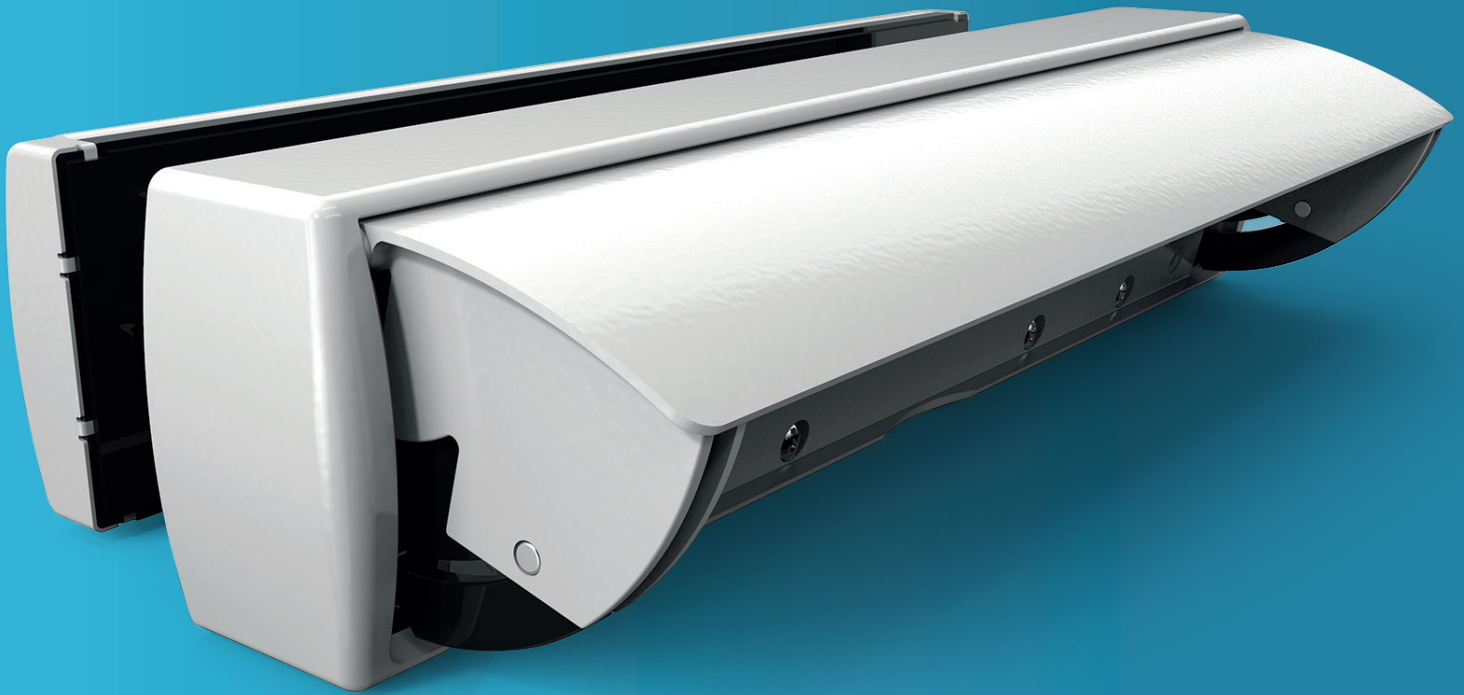


ProSecure TS008 LETTERPLATE

Enhanced Security



Hardware that starts with **you**.





ProSecure TS008 LETTERPLATE

Compact aesthetic combined with intelligently designed, enhanced security features in a letterplate with guaranteed reliability and simple installation.



KM 735758



HIGH SECURITY LETTERPLATE

TS008 CERTIFIED

PATENTED DESIGN
Application no.
GB2576184



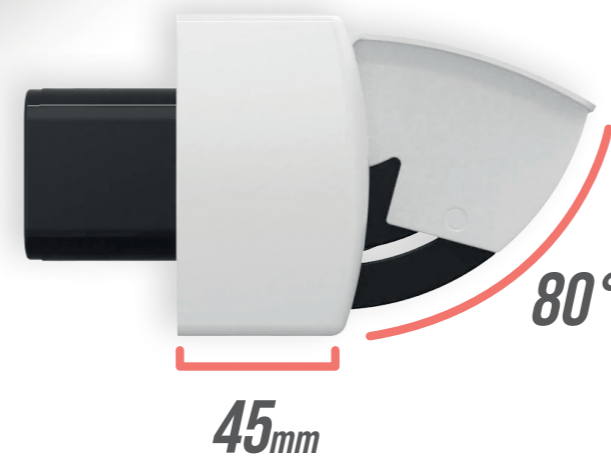
TS008 is an **enhanced security specification** for letterplates. It covers attack methods including fishing, ability to manipulate the door lock, removing posted items and forced removal of the letterplate

ANTI-FISHING TECHNOLOGY

Our patented anti-fishing fins operate with a smooth concertina action for clever, secure restricted flap opening and a compact aesthetic

Intelligently Designed

The new TS008 certified high security letterplate combines clever security features, considered design, simple installation and market-leading guarantees to be the best on the market.

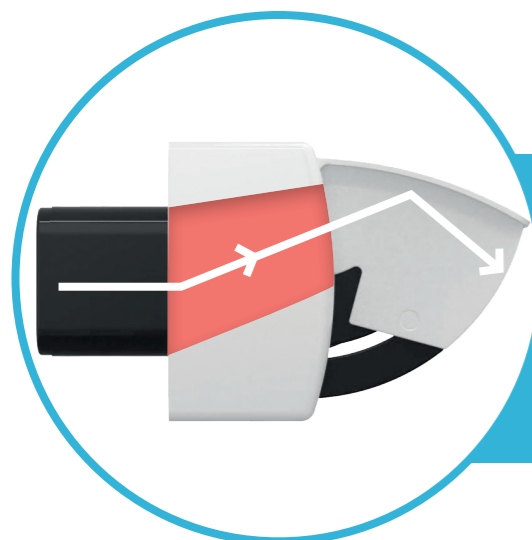


Secure Opening Angle

By restricting the opening angle to **80°**, our TS008 letterplate remains accessible whilst still being secure.

Compact Aesthetic

Internal projection of just **45mm** makes for a more discreet, less obtrusive letterplate.



Fishing Deflection

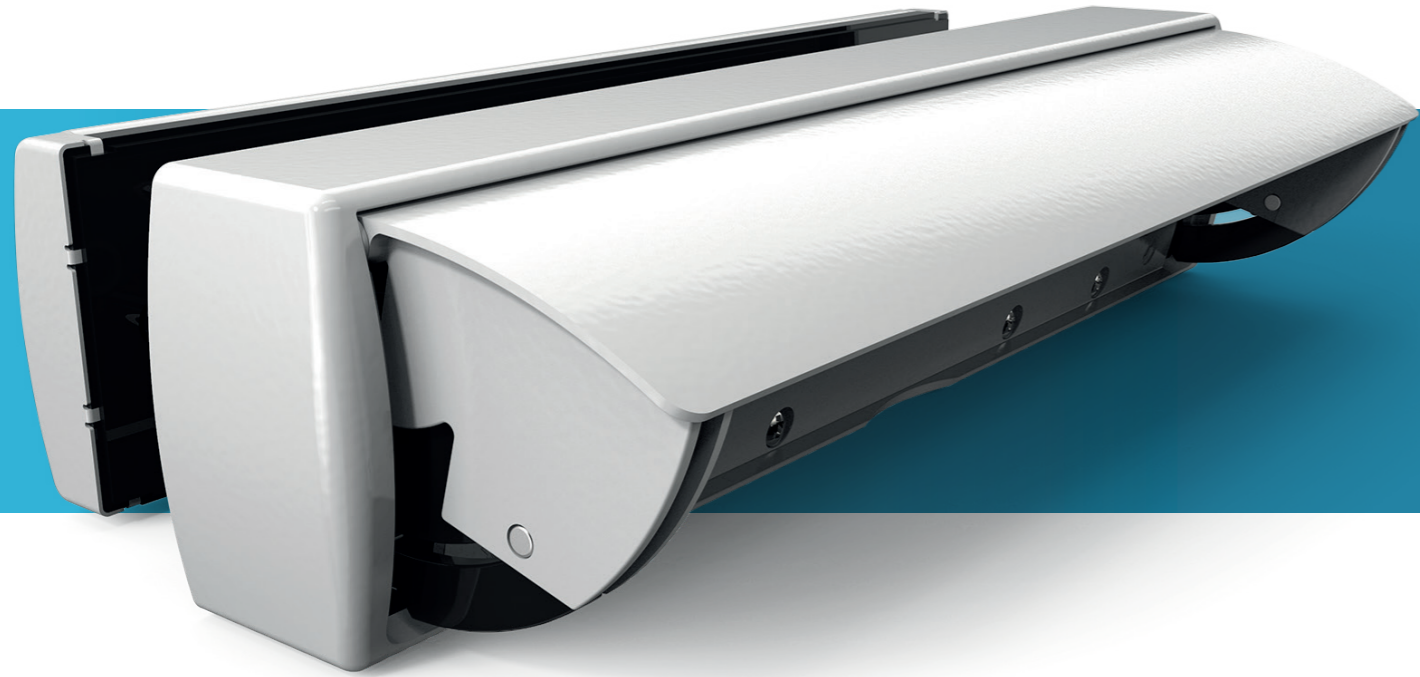
An angled postal ramp designed into the aperture deflects items upwards to protect against fishing



Simple Installation

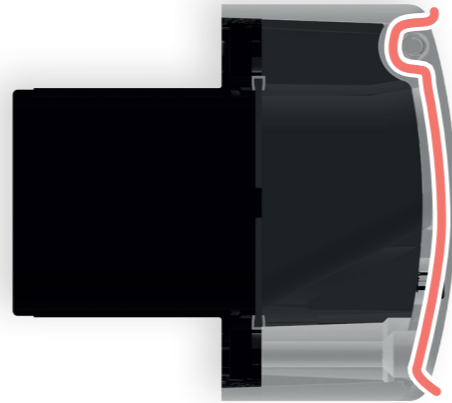
Fits standard letterplate aperture, no special fixings or routing required

HIGH SECURITY LETTERPLATE TS008 CERTIFIED



Clever Drainage

Integrated drainage channel stops water or condensation pooling, preventing corrosion.



Effective Weather Sealing

Sealed through a combination of external foam and internal nylon brushes.

Mix & Match Colours

Choose from 5 external and 5 internal finishes



Secured by Design

Police preferred specification



Operational Reliability

Independently tested to 20,000 cycles



Postal Services Standard Certified

Tested to BSEN 13724: 2013 to ensure 'delivery in good condition' of postal items

Secure, Reliable & Certified

With **25 year** mechanical operation and **10 year** painted surface finish guarantees, and being independently tested to **BSEN 1670** Grade 5 for corrosion resistance, our TS008 letterplate has proven its reliability as well as **police preferred & Approved Document Q** levels of security.



HIGH SECURITY LETTERPLATE TS008 CERTIFIED

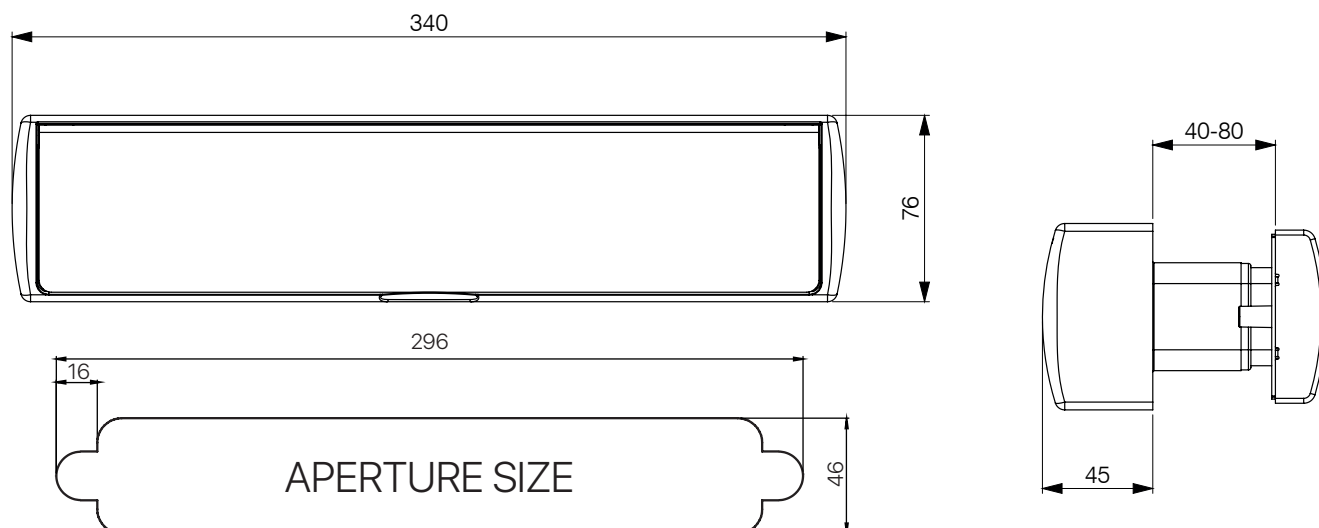
Part Numbers

EXTERNAL LETTERPLATE COLOUR

Description	White	Black	Polished Chrome	Polished Gold	Smooth Satin Chrome
ProSecure TS008 Letterplate - White Internal	TS008 WHT/WHT	TS008 BLK/WHT	TS008 CH/WHT	TS008 G/WHT	TS008 SMS/WHT
ProSecure TS008 Letterplate - Black Internal	-	TS008 BLK/BLK	-	-	-
ProSecure TS008 Letterplate - Polished Chrome Internal	-	-	TS008 CH/CH	-	-
ProSecure TS008 Letterplate - Polished Gold Internal	-	-	-	TS008 G/G	-
ProSecure TS008 Letterplate - Smooth Satin Chrome Internal	-	-	-	-	TS008 SMS/SMS

Alternative colour combinations are also available. Please contact our sales team for more information

Technical Drawings



Included in the box

1x Internal Letterplate



2x 85mm Fixings
2x 105mm Fixings

1x External Letterplate

