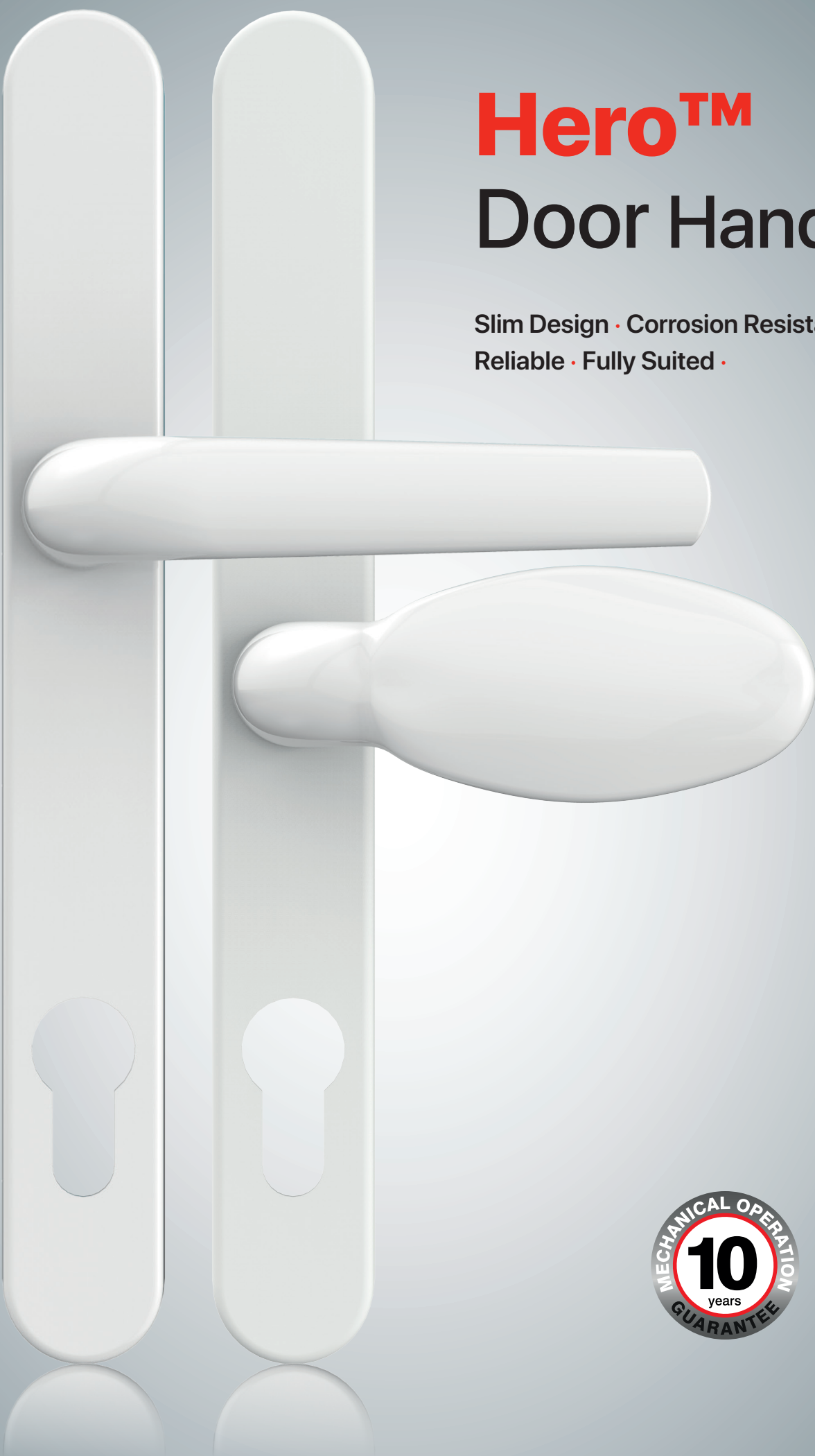


Hero™

Door Handles

Slim Design · Corrosion Resistant · Strong ·
Reliable · Fully Suited ·



Hardware that starts with **you.**

 **MILA**

Hero™ Door Handles

Simplicity without compromise.

Manufactured from a high performance zinc alloy, Hero™ door handles are simple to fit, easy to operate and suitable for UPVC doors.

The ergonomic lever is contoured to the shape of your hand, with contemporary styling ensuring a crisp lever return and 2 lever options, available in both lever/ lever and lever/ pad.

At a Glance

Available in both lever/ lever and lever/ pad designs

5 suited finishes - polished gold, polished chrome, smooth satin chrome, white and black

Supplied with two spindles, spring cassettes and fixing screws as standard

Boxed quantities of 20

Corrosion resistance - tested to BSEN 1670 grade 4 for the plated finishes, and grade 5 for powder coated black and white

10 year mechanical operation guarantee



5 Suited Finishes



Polished Gold



Polished Chrome



Smooth Satin Chrome



White



Black



Polished Gold



Polished Chrome



Smooth Satin Chrome



White



Black



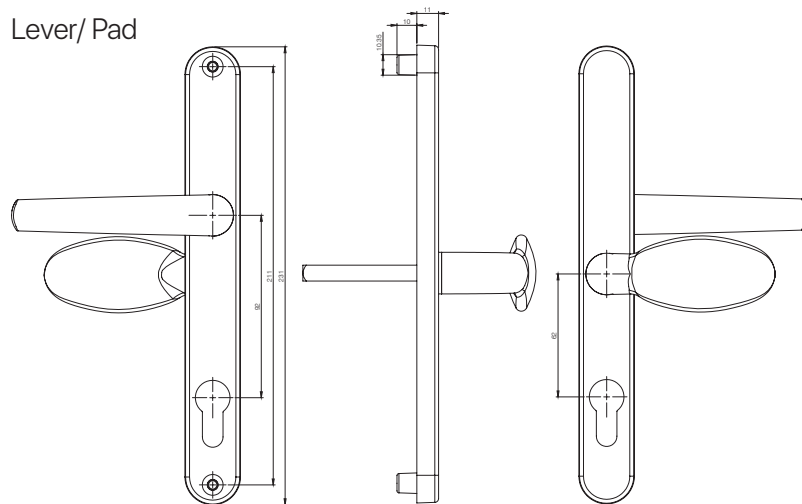
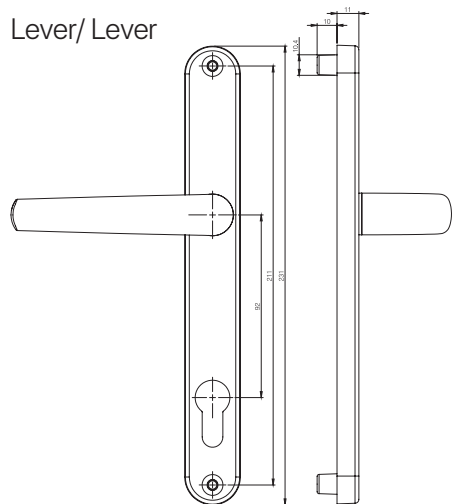
Reliable
tested to 100,000 cycles

Stylish
modern design

Strong
100kg lever pull test

Weather resistant
tested to 480 hours salt spray

Part Numbers & Dimensional Drawings



Description	PZ	Backplate Length	Polished Gold	Polished Chrome	Smooth Satin Chrome	White	Black
Lever/ Lever	92	240mm	050724	050721	050722	050728	050727
Lever/ Pad	92/ 62	240mm	050754	050751	050752	050758	050757

Box Quantity	-	-	20	20	20	20	20
Pallet Quantity	-	-	640	640	640	640	640