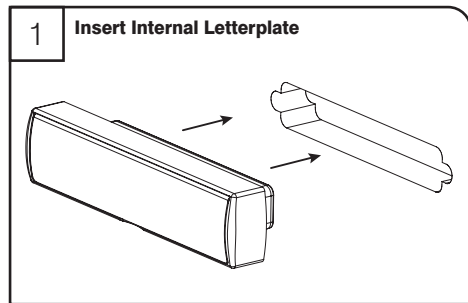
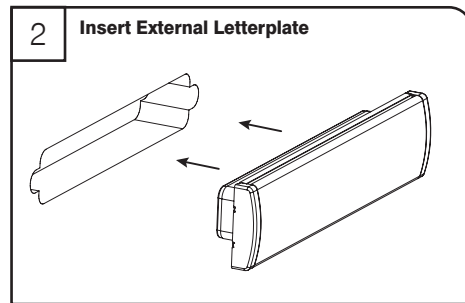


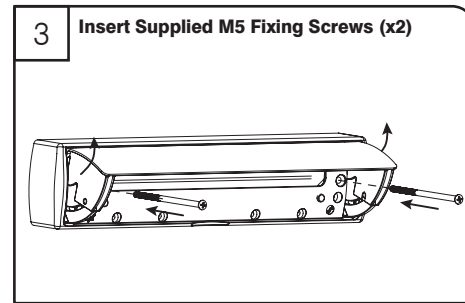
ProSecure TS008 Letterplate - Fitting Instructions



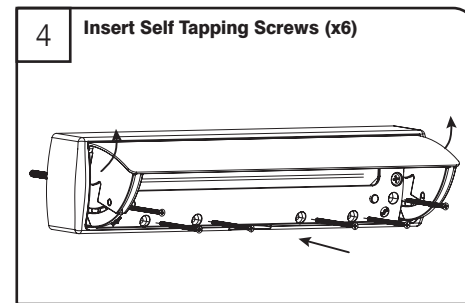
With the aperture free from obstructions, begin by inserting the internal letterplate fully into the aperture on the internal face of the door. Hold in place.



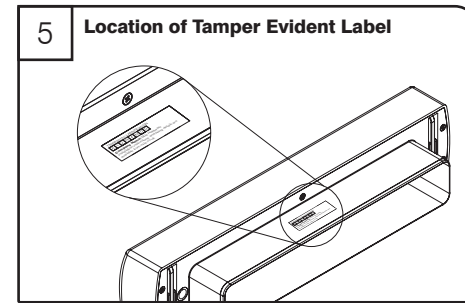
Fully insert the external letterplate into the aperture on the external face of the door.



Fix the two halves together using supplied M5 fixing screws in the appropriate holes.



Now insert x6 appropriate length self tapping screws (not supplied) into the remaining holes to fix the letterplate securely to the door.



Location of tamper evident label: Top face of interior letterplate sleeve.

Maintenance: To ensure that your product maintains its high-quality finish please; do wipe regularly with a soft, damp cloth to remove any finger prints. We recommend that you only use warm soapy water with a lint free cloth. Wipe dry with a soft clean cloth. Don't use abrasive cleaners or scouring pads, bleach or solvents.