

ProSecure Finger Operated Shootbolt

For French Doors and Enhanced Security Applications



The ProSecure finger operated shootbolt range is suitable for French door and enhanced security applications

Laminated for enhanced strength

Chamfered shootbolt design for easy operation

Eurogroove and non-Eurogroove variants

Tested to the enhanced security requirements of PAS 24 : 2016

Police Preferred Specification - Secured by Design approved

Approved Document Q compliant

Tested to EN1670:2007 Grade 4 for corrosion resistance

Tested to 50,000 cycles for operational reliability

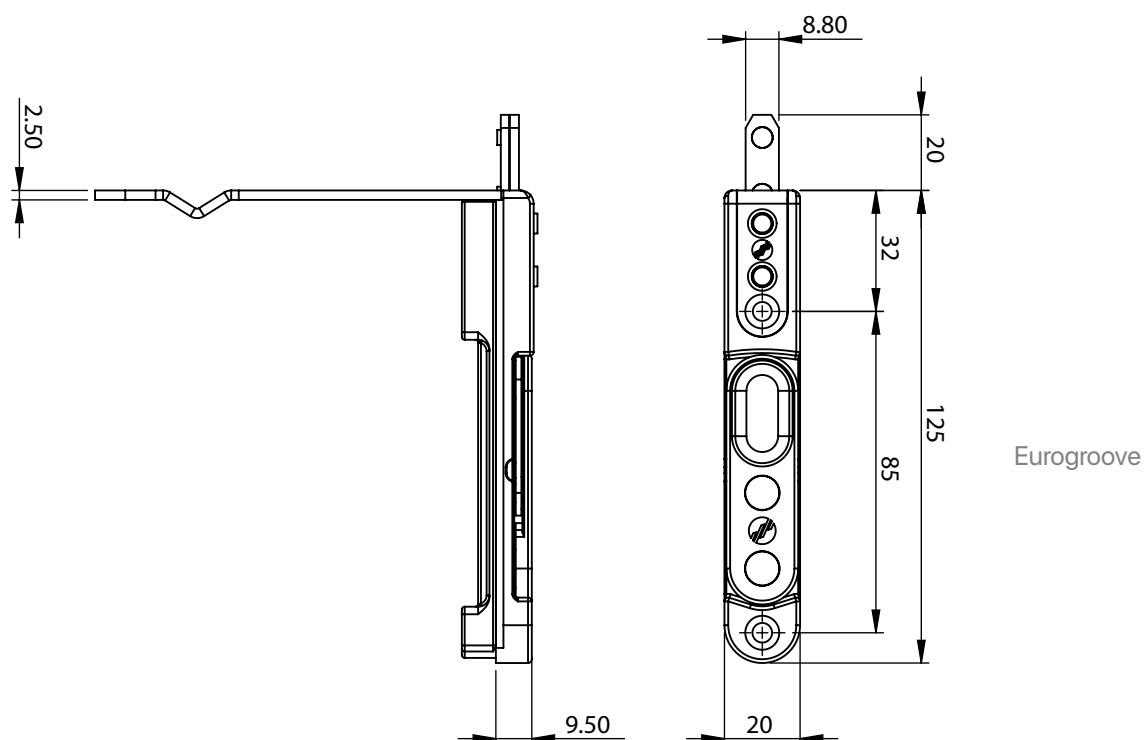
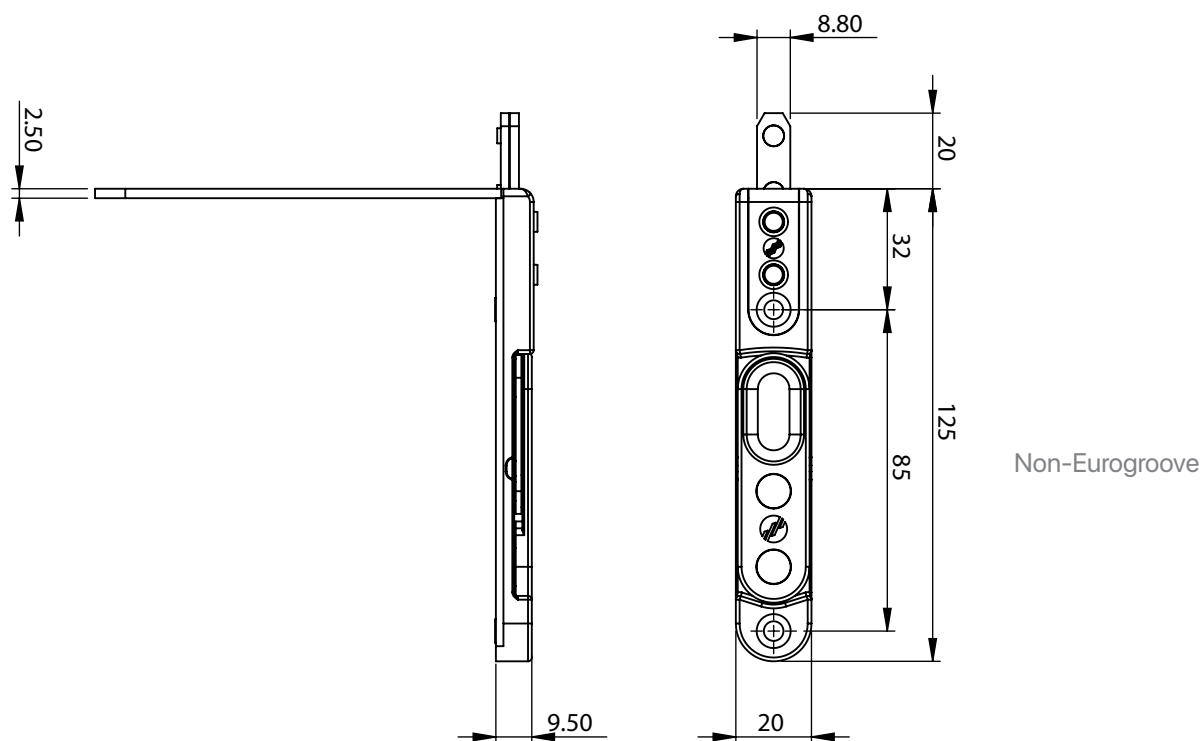
GUARANTEE



Police Preferred Specification

ProSecure Finger Operated Shootbolt

For French Doors and Enhanced Security Applications



PART NUMBERS

Eurogroove 044220
Non Eurogroove 044222