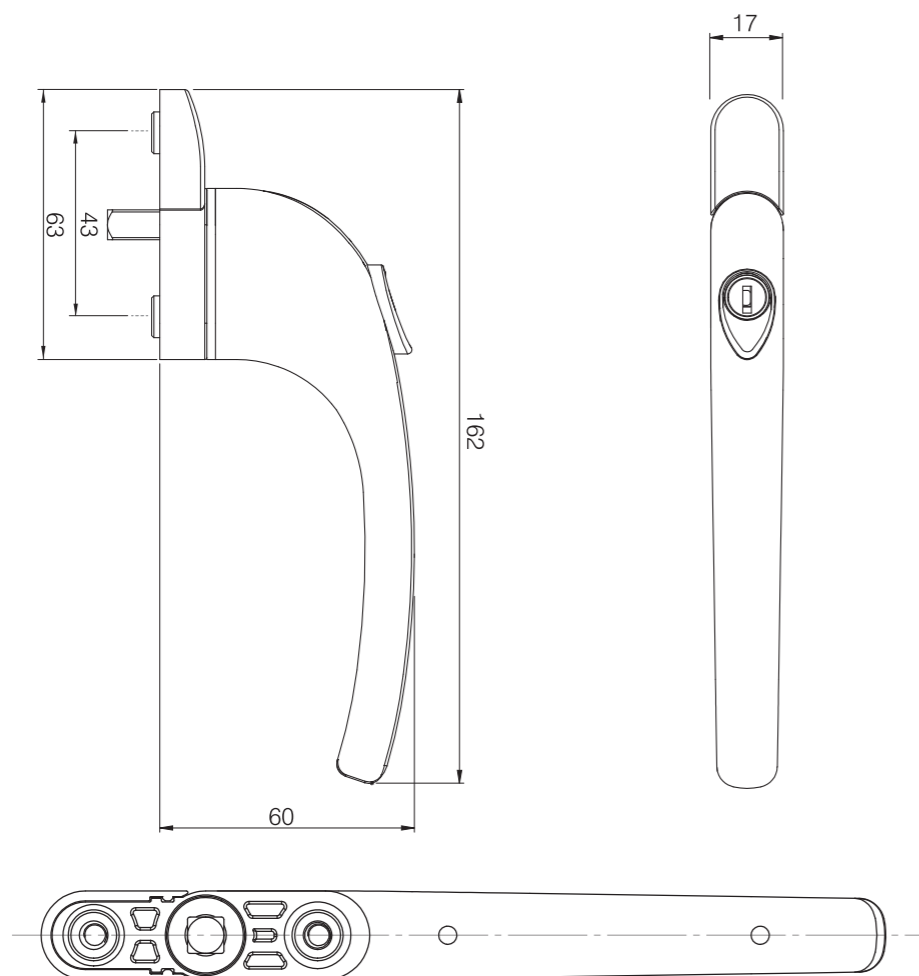


DIMENSIONAL DRAWINGS



grip™

Green Reliable Intelligent Polymer



The only window handle range in the UK certified by The Carbon Trust

Worldwide patent

Fully recyclable

Meets latest Building Regulation requirements

Designed in-house by Mila



60% Less Embodied Carbon
than a zinc window handle

PART NUMBERS

Description	Spindle Length	Part Number
Grip™ Espag Handle	15mm	563002
Grip™ Espag Handle	20mm	563003
Grip™ Espag Handle	30mm	563006
Grip™ Espag Handle	40mm	563007

5 WAYS TO ORDER

Phone 01327 312 400
Fax 01327 872 575
Online www.mila.co.uk
E-mail sales@mila.co.uk
Face-to-face with your Mila field sales contact

GUARANTEES

10 year mechanical guarantee
 25 year surface finish guarantee

Green Reliable Intelligent Polymer



GRIP™ stands for Green Reliable Intelligent Polymer. The handle is manufactured from high strength, fully recyclable ABS and has been specifically designed to be 'green'.

It is the only window in the UK that has been certified by the Carbon Trust and has a carbon footprint which is 60% lower than a standard Mila espag handle.

The carbon generated by every aspect of the production process - from the raw materials used to the manufacturing, distribution, use & even eventual disposal - has been measured, assessed & certified.

GRIP™ has been independently tested to 50,000 cycles and strength performance tested to more than 60kg - which easily outperforms a zinc handle - and is guaranteed for 10 years.

The corrosion and chemical resistant ABS material is suitable for use in even the most aggressive environments because it will never corrode. The high gloss finish has been independently tested to international automotive standards for UV stability and abrasion.

Clever, cost effective and future proof the GRIP™ window handle enables the reduction of embodied carbon in projects to comply with government guidelines.

The GRIP™ handle has been developed by Mila's in-house product design team and has a worldwide patent.



Slide & Clip screw cap is easy-to-fit & covers the whole of the rose

4 spindle lengths
15mm, 20mm, 30mm & 40mm

Ergonomic button with options of locking, push-button & green-button for emergency exit



- Manufactured from **High-Strength PolyComposite ABS**
- **Stronger Than a Zinc Window Handle** strength tested to over 60Kg
- **Tested to Last a Lifetime** independently tested to 50,000 cycles
- **100% Recyclable** material & components
- **Never-Rust Material** 100% corrosion & chemical resistant, suitable for aggressive environments
- **High-Gloss Finish** & inherent UV stability, independently tested to automotive international standards
- **Warm-Touch Grip** using temperature resistant thermoplastic

CARBON TRUST CERTIFIED

GRIP™ has a carbon footprint which is 60% lower than our standard zinc espag handle

just 0.8kgCO₂e per handle compared with 2.2kgCO₂e



Suitable for PVCu, timber & aluminium window systems