

# Door Locks





# Choosing Your Door Lock

## APPLICATIONS

Mila stock a comprehensive range of multipoint door locks, a proportion of which are included within this catalogue.

Please ask our sales team if you cannot find the lock you require.

### 1. Select the lock application

The type of multipoint lock you choose will depend upon it's intended application. See common applications on the opposite page.



# Choosing Your Door Lock



## COMMON APPLICATIONS

---



### Residential Doors

Multipoint locks for use on front or back doors. These multipoint locks feature various combinations of locking points, from basic 4 roller locks to enhanced security hook locks. We stock a range suitable for PVCu, timber, aluminium and composite application.



### French Door Primary Leaf

Multipoint locks designed for use on the primary leaf of a pair of French doors. These locks often feature the same locking point combinations as standard residential door locks but can have shootbolts added top and bottom - highly recommended when used on French doors.

### French Door Secondary Leaf

Multipoint locks designed for use on the secondary leaf of a pair of French doors. Secondary locks are fitted behind a French door dummy mullion and have shootbolts fitted top and bottom. Fitting a secondary lock provides enhanced security when compared to finger bolts and maintains the symmetry of the door as two sets of handles are fitted.



### Stable Door

Stable doors are becoming increasingly popular as an alternative to traditional residential doors - particularly as a rear or kitchen door. Stable door locking systems allow the top half of the door to be opened for ventilation or the whole door to open for access.



### Panic Door

Multipoint locking systems designed for use on Panic Doors. These multipoint locks are operated internally via panic bars or pads for safe, simple egress in case of emergency. The lock can also be fitted with external access if required.



# Choosing Your Door Lock

## IDENTIFICATION

### 2. Identify the faceplate width, backset and PZ dimensions required

#### Faceplate Width

The standard faceplate (A) width for multipoint locks is 16mm, although some locks are available with a 24mm U-track faceplate. Typically, composite door faceplate's are 20mm.

#### Backset

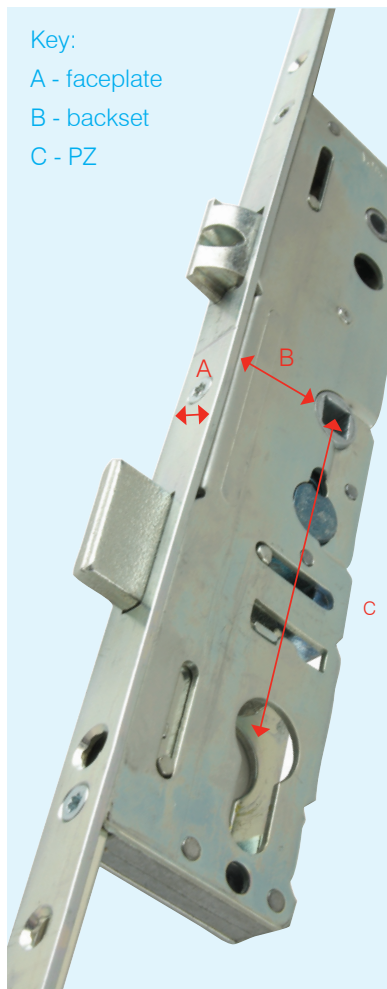
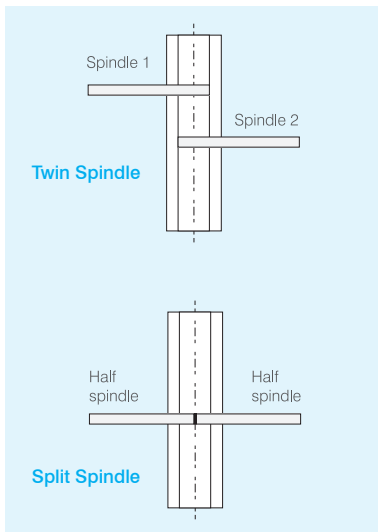
The backset dimension (B) is the distance from the gearbox faceplate to the centre of the square spindle hole. Backset dimensions will generally be either 35mm for PVCu doors or 45mm for composite or timber doors.

#### PZ

The PZ dimension (C) is the distance from the centre of the handle spindle hole to the centre of the cylinder. The most common PZ distance is 92mm although this can vary depending on lock manufacturer and lock function i.e. twin spindle locks.

#### Operation

Choose between normal lever/lever operation, split spindle (dual function) or twin spindle. See diagram below:



Key:  
A - faceplate  
B - backset  
C - PZ

# Choosing Your Door Lock



## LOCKING POINTS

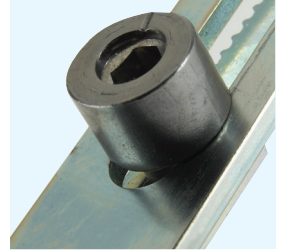
### 3. Select the locking and sealing point configuration:



**Latch**  
Reversible for right or left hand doors



**Deadbolt**  
Protected by anti-saw pins



**Roller Cam**  
Adjustable to ensure optimum weather-sealing



**Mushroom Cam**  
Anti-separation device,  
adjustable for weather-sealing



**Hook & Pin**  
Strong anti-separation and anti-lift combination



**Hook**  
Anti-separation device, locks in either an upward or downward direction and secures behind striker



**Pin**  
For strength & compression,  
protected by anti-saw pins



**Shootbolt Extension**  
Can be added top and bottom to specific door locks to enhance security of residential doors or for use on primary or secondary leaf of French doorset



# Door Lock Selection Guide



## Door Locks from Market-Leading Brands

	Page
ProSecure Door Lock - 2 Hook, 2 Roller (Residential & French Doors)	201
ProSecure Door Lock - 2 Hook, 4 Roller (Residential & French Doors)	203
ProSecure Door Lock - 2 Hook, 4 Roller (Standard Residential Doors)	205
ProSecure Door Lock - Secondary Lock	207
ProSecure Door Lock - 2 Hook (for Timber & Composite doors)	209
LockMaster PLSP143 (PL143)	211
LockMaster PLSP45 (PL45)	215
LockMaster PL143 HK	213
LockMaster PLSP13-2ER (PL132ER)	217
LockMaster PLSP100	219
LockMaster - PLSP105 (PL105)	221
LockMaster - PLSP11 (PL11)	223
LockMaster - PLSP104	225
LockMaster Secondary Lock - PLSP30 (PL30)	227
LockMaster - PL85 Composite Door Lock	229
LockMaster PLSP18 (PL18)	231
YLKT45 - TH20	233
KFV AS7370 - 2 pin	235
KFV AS7970	237
KFV AS 7006 - Hurricane Lock	239
KFV AS 4900 - 2 Hook	241
KFV AS 4350 - 2 Pin	243
KFV AS4050 - 4 Roller	245





# Door Lock Selection Guide



## Door Locks from Market-Leading Brands

	Page
KFV AS2300 (W20) - Stable Door Lock	247
KFV AS3500 - Automatic Lock	249
Mila Pin Panic Lock	251
Mila Surface Mounted Panic Lock	253
Push Button Lock	255
iDeal Lockcase Range	257
49 PZW Mortice Lock	259
Electronic Latch (fail safe and fail secure)	261
iDeal Large Finger Operated Shootbolt	262
iDeal Small Finger Operated Shootbolt	263
iDeal Standard Finger Operated Shootbolt	264
Normal & Reverse Action Shootbolts	265
Yale & KFV Shootbolts	265



# Door Lock Selection Guide



<b>Striker:</b> 1 Piece striker	✓	✓	✓	✓																
<b>Striker:</b> 3 Piece striker	✓	✓	✓	✓																
<b>Guarantee:</b> 3 Piece Mechanical	✓	✓	✓	✓																
<b>Guarantee:</b> 10 Year Mechanical																				
<b>Guarantee:</b> 5 Year Mechanical																				
<b>Guarantee:</b> 2 Year Mechanical																				
<b>Guarantee:</b> Secured by Design																				
<b>Application:</b> PVCu	✓	✓	✓	✓	✓	✓	✓	✓	✓											
<b>Application:</b> Composite	✓	✓	✓	✓	✓	✓	✓	✓	✓											
<b>Application:</b> Timber	✓	✓	✓	✓	✓	✓	✓	✓	✓											
<b>Application:</b> Aluminium																				
<b>Door Type:</b> Panic Door																				
<b>Door Type:</b> Stable Door	✓																			
<b>Door Type:</b> French Door - primary																				
<b>Door Type:</b> French Door - secondary																				
<b>Door Type:</b> Residential Door	✓																			
<b>Operation:</b> Handle																				
<b>Operation:</b> Cylinder																				
<b>Spindle:</b> Standard	✓																			
<b>Spindle:</b> Split																				
<b>Spindle:</b> Twin																				
<b>Locking Points:</b> Shootbolts																				
<b>Locking Points:</b> Pins	✓																			
<b>Locking Points:</b> Hooks																				
<b>Locking Points:</b> Mushroom Camms																				
<b>Locking Points:</b> Roller Camms																				
<b>Locking Points:</b> Latch and Deadbolt	✓																			
<b>Locking Points:</b> Additional Deadbolt																				
<b>Locking Points:</b> Pullman Latch																				



# ProSecure Multipoint Door Lock



2 Hook, 2 Anti-lift pin, 2 Roller - for Residential & French Doors

## PRODUCT INFORMATION

- Extendable multipoint door lock for residential and French doors
- 2 upward locking hooks provide enhanced security
- 2 independent pins, which engage when the hooks are thrown, provide anti-lift protection
- 2 pre-compression roller cams, located top and bottom, provide enhanced weather sealing, smooth operation and hook engagement
- Pre-compression roller cams +/- 1mm adjustable
- Locking points can withstand an applied load in excess of 7.5kN
- Option of shootbolts top & bottom to provide enhanced security
- Option of normal or dual function gearbox (standard or split spindle)
- Tested to PAS 24 for enhanced security
- Tested to BSEN 1670: grade 4 achieving 240 hour corrosion resistance
- Tested to BS 6375-1 for weathertightness
- Tested to BS 6375-2 in excess of 50,000 cycles for operation reliability
- Police preferred specification - Secured by Design approved product

### PROSECURE ONE-PIECE STRIKER

PAGE  
271

- Unique c-section design allows packers to 'twist 'n' clip' securely into place
- Achieves PAS24: 2016 enhanced security standard without the need for additional security plates

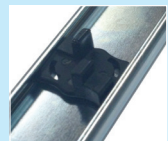
### TWIST & CLIP PACKERS



Place packer into  
'C' shaped channel



Twist into place...



...and clip to secure

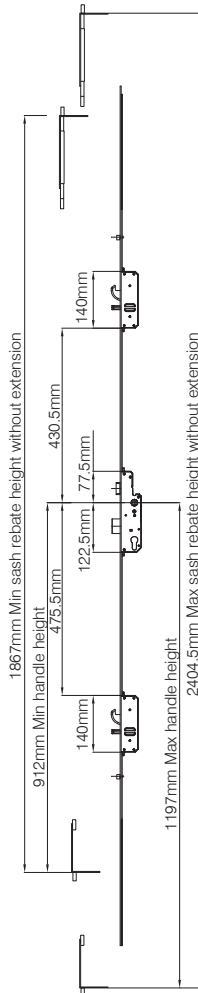
# ProSecure Multipoint Door Lock

2 Hook, 2 Anti-Lift Pins, 2 Roller - for Residential & French Doors

Door  
Locks



## TECHNICAL DRAWINGS



## GUARANTEES



## CLOSE-UP



## PART NUMBERS

Description	Operation	Backset	Locking Points	Length	Part Number
ProSecure Multipoint Door Lock	Lever/Lever	35mm	2 hooks, 2 anti-lift pins, 2 rollers	2120mm	047250
ProSecure Multipoint Door Lock	Dual function	35mm	2 hooks, 2 anti-lift pins, 2 rollers	2120mm	047251



# ProSecure Multipoint Door Lock



2 Hook, 2 Anti-Lift Pin, 4 Roller - for Residential & French Doors

## PRODUCT INFORMATION



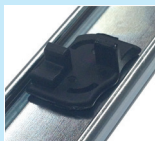
- Extendable multipoint door lock for residential or French doors
- 2 upward locking hooks provide enhanced security
- Locking points can withstand an applied load of 7.5kN
- 2 independent pins, that engage when the hooks are thrown, provide anti-lift protection
- For enhanced weather sealing, smooth operation and hook engagement, pre-compression roller cams are located top and bottom
- Pre-compression roller cams +/- 1mm adjustable
- Option of normal or dual function gearbox (standard or split spindle)
- Option of shootbolts top & bottom
- Tested to PAS 24 for enhanced security
- Tested to BSEN 1670: grade 4 achieving 240 hour corrosion resistance
- Tested to BS 6375-1 for weathertightness
- Tested to BS 6375-2 in excess of 50,000 cycles for operation reliability
- Police preferred specification - Secured by Design approved

### PROSECURE ONE-PIECE STRIKER

PAGE  
271

- Unique c-section design allows packers to 'twist 'n' clip' securely into place
- Achieves PAS24: 2016 enhanced security standard without the need for additional security plates

### TWIST & CLIP PACKERS



Place packer into  
'C' shaped channel



Twist into place...



...and clip to secure

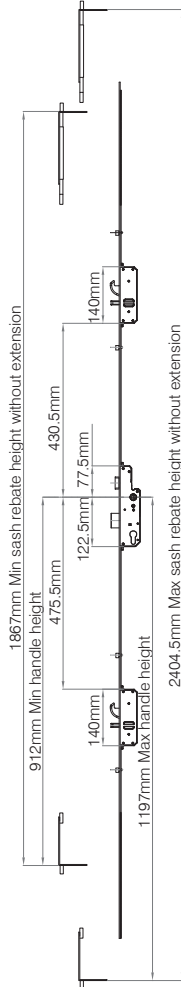
# ProSecure Multipoint Door Lock

2 Hook, 2 Anti-Lift Pins, 4 Roller - for Residential & French Doors

Door  
Locks



## TECHNICAL DRAWINGS



## GUARANTEES

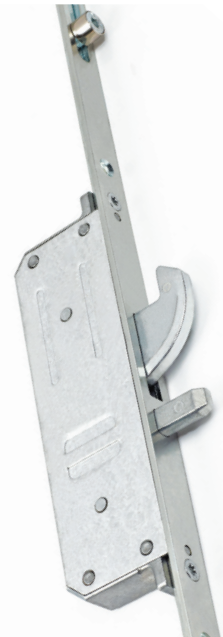


Secured by Design



Police Preferred Specification

## CLOSE-UP



## PART NUMBERS

Description	Operation	Backset	Locking Points	Length	Part Number
ProSecure Multipoint Door Lock	Lever/Lever	35mm	2 hooks, 2 anti-lift pins, 4 rollers	2200mm	047252
ProSecure Multipoint Door Lock	Dual function	35mm	2 hooks, 2 anti-lift pins, 4 rollers	2200mm	047253



# ProSecure Multipoint Door Lock



2 Hook, 2 Anti-Lift Pin, 4 Roller - for Standard Residential Doors

## PRODUCT INFORMATION



- Multipoint door lock for standard residential doors
- 2 upward locking hooks provide enhanced security
- Locking points can withstand an applied load of 7.5kN - and still operate
- 2 independent pins, that engage when the hooks are thrown, provide anti-lift protection
- For enhanced weather sealing, smooth operation and hook engagement, pre-compression roller cams are located top and bottom
- Pre-compression roller cams +/- 1mm adjustable
- Option of normal or dual function gearbox (standard or split spindle)
- Tested to PAS 24 for enhanced security
- Tested to BSEN 1670: grade 4 achieving 240 hour corrosion resistance
- Tested to BS 6375-1 for weathertightness
- Police preferred specification - Secured by Design approved

### PROSECURE ONE-PIECE STRIKER

PAGE  
271

- Unique c-section design allows packers to 'twist 'n' clip' securely into place
- Achieves PAS24: 2016 enhanced security standard without the need for additional security plates

### TWIST & CLIP PACKERS



Place packer into  
'C' shaped channel



Twist into place...



...and clip to secure

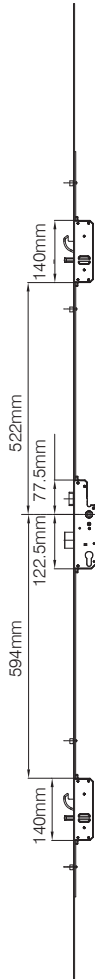
# ProSecure Multipoint Door Lock

2 Hook, 2 Anti-Lift Pins, 4 Roller - for Standard Residential Doors

Door  
Locks



## TECHNICAL DRAWINGS



## GUARANTEES



Secured by Design



Police Preferred Specification

## CLOSE-UP



## PART NUMBERS

Description	Operation	Backset	Locking points	Length	Part Number
ProSecure Multipoint Door Lock	Lever/Lever	35mm	2 hooks, 2 anti-lift pins, 4 rollers	2120mm	047254
ProSecure Multipoint Door Lock	Dual function	35mm	2 hooks, 2 anti-lift pins, 4 rollers	2120mm	047255



# ProSecure Multipoint Door Lock

## Secondary Lock



### PRODUCT INFORMATION



- ProSecure secondary lock is designed for use on the secondary leaf of a pair of french doors
- Tooth couplings, top & bottom, allow easy fitting of shootbolts
- Shootbolts secure into adjustable french door strikers for optimum compression at the top and bottom of the door
- Enhanced security shootbolts are also available featuring a "return" for additional screw fixing into the sash
- Tested to PAS 24 for enhanced security
- Tested to BSEN 1670: grade 4 achieving 240 hour corrosion resistance
- Tested to BS 6375-1 for weathertightness
- Tested to BS 6375-2 in excess of 50,000 cycles for operation reliability
- Police preferred specification - Secured by Design approved product

#### PROSECURE ONE-PIECE STRIKER

PAGE  
271

- Unique c-section design allows packers to 'twist 'n' clip' securely into place
- Achieves PAS24: 2016 enhanced security standard without the need for additional security plates

#### TWIST & CLIP PACKERS



Place packer into 'C' shaped channel



Twist into place...



...and clip to secure



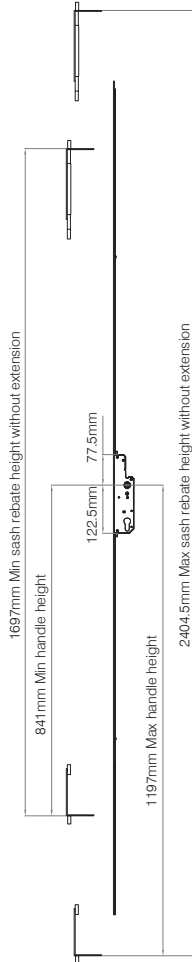
# ProSecure Multipoint Door Lock

## Secondary Lock

Door  
Locks



### TECHNICAL DRAWINGS



### GUARANTEES



Secured by Design



Police Preferred Specification

**SHOOTBOLTS**  
See our range of shootbolts on  
pages 227- 231

from  
PAGE  
269

### PART NUMBERS

Description	Operation	Backset	Locking points	Length	Part Number
ProSecure secondary lock	Lever/lever	35mm	-	-	047210



# ProSecure Multipoint Door Lock

Composite & Timber, 2 Hook



## PRODUCT INFORMATION



- Multipoint lock for composite and timber doors
- 2 opposing hooks provide enhanced security
- Locking points can withstand an applied load in excess of 7.5kN
- Option of normal or dual function gearbox (standard or split spindle)
- Tested to PAS 24 for enhanced security
- Tested to BSEN 1670: grade 4 achieving 240 hour corrosion resistance
- Tested to BS 6375-1 for weathertightness
- Tested to BS 6375-2 in excess of 50,000 cycles for operational reliability
- Police preferred specification - Secured by Design approved product

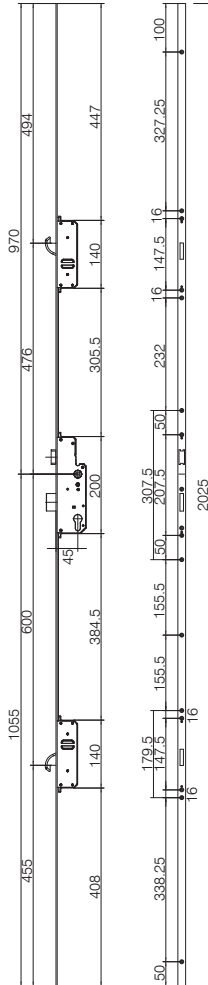
# ProSecure Multipoint Door Lock

Composite & Timber, 2 Hook

Door  
Locks



## TECHNICAL DRAWINGS



## GUARANTEES



## PART NUMBERS

Description	Operation	Backset	Locking points	Length	Part Number
ProSecure 2 Hook	Lever/lever	45mm	2 hook	2025mm	047284



# LockMaster PLSP143

2 Hook, 2 Anti-Lift Pin, 4 Roller



## PRODUCT INFORMATION



- Extendable multipoint lock for residential and French doors
- 2 upward locking hooks
- 2 anti-lift pins which automatically engage when hooks are thrown, providing enhanced security
- 4 pre-compression roller cams for enhanced sealing and compression
- Roller cams travel before hooks to ensure smooth operation
- Centre latch and deadbolt
- Reversible latch for left or right handed doors
- Police preferred specification - Secured by Design approved product
- Option of 92 PZ or 92/62 PZ (standard & twin spindle)
- Option of shootbolts top & bottom

### Striker Options Include

- Individual centre latch & dead bolt striker, 2 x combined hook, pin and roller cam strikers  
Or
- Standard one piece striker  
Or
- Enhanced security one piece striker supplied with apertures for through fixing of frame to brickwork without the need to remove the striker

### CLOSE-UP



Roller Cam



Deadbolt

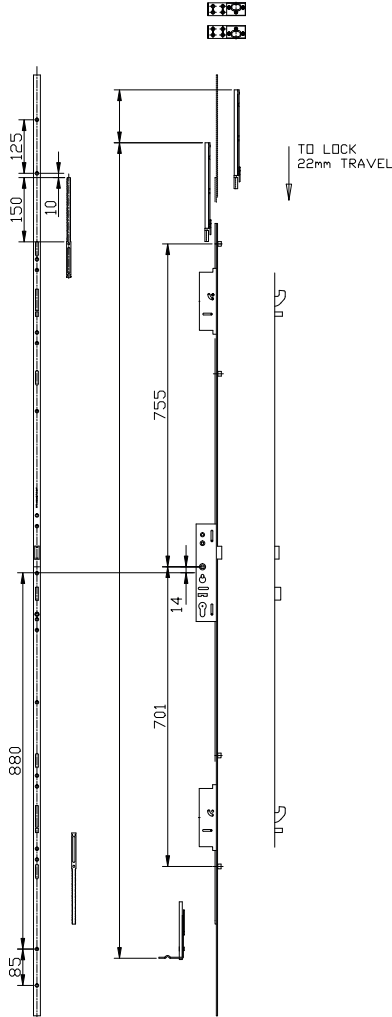
# LockMaster PLSP143

2 Hook, 2 Anti-Lift Pin, 4 Roller

Door  
Locks



## TECHNICAL DRAWINGS



## GUARANTEES



Secured by Design



Police Preferred Specification

See our range of shootbolts

from  
PAGE  
262

## PART NUMBERS

Description	Operation	Backset	Locking points	Part Number
PLSP143-19	Single Spindle	35mm	2 hooks, 2 anti-lift pins, 4 rollers	041123



# LockMaster PL143 HK

3 Hook, 2 Anti-Lift Pin, 4 Roller



## PRODUCT INFORMATION



- Extendable multipoint door lock suitable for residential and French doors
- 2 upward locking hooks
- 2 anti-lift pins which automatically engage when hooks are thrown, providing enhanced security
- 2 pre-compression roller cams, with 22mm travel, for enhanced sealing and compression
- Centre latch and hook
- Roller cams travel before hooks to ensure smooth operation
- Reversible latch for left or right handed doors
- Option of 92 PZ or 92/62 PZ (Standard or twin spindle)
- Option of shootbolts top & bottom
- LockMaster profile specific packer system allow strikers to be fitted to any PVCu profile

### Striker Options Include

- Individual centre latch & dead bolt striker, 2 x combined hook, pin and roller cam strikers  
Or
- Standard one piece striker  
Or
- Enhanced one piece striker supplied with apertures for through fixing of frame to brickwork without the need to remove the striker

## PART NUMBERS

Description	Version	Backset	Locking Points	Part Numbers
PL143HK	Twin Spindle or Single Spindle	35mm	3 hooks, 2 anti-lift pins, 4 rollers	041122

See our range of shootbolts

from  
PAGE  
262

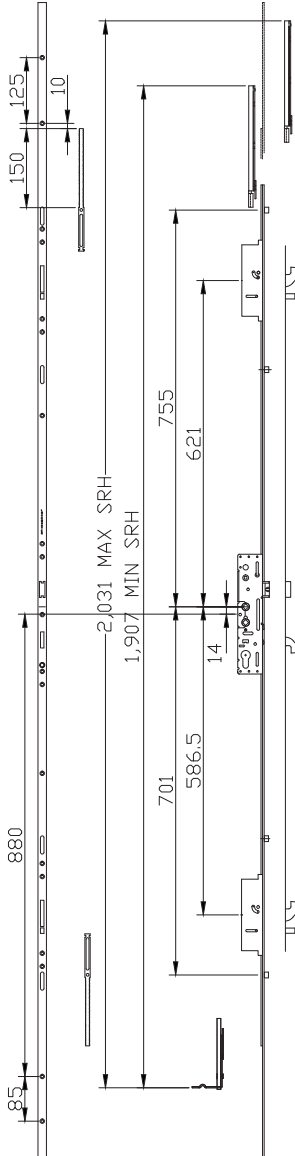
# LockMaster PL143 HK

3 Hook, 2 Anti-Lift Pin, 4 Roller

Door  
Locks



## TECHNICAL DRAWINGS



## GUARANTEES



Secured by Design



Police Preferred Specification

## CLOSE-UP



Hook and pin



Roller Cam



# LockMaster PLSP45 (PL45)

2 Hook, 2 Anti-Lift Pin, 2 Roller



## PRODUCT INFORMATION



- Extendable multipoint door lock suitable for residential and French doors
- 2 upward locking hooks
- 2 anti-lift pins which automatically engage when hooks are thrown, providing enhanced security
- 2 pre-compression roller cams, with 22mm travel, for enhanced sealing and compression
- Roller cams travel before hooks to ensure smooth operation
- Reversible latch for left or right handed doors
- Option of 92 PZ or 92/62 PZ (Standard or twin spindle)
- Option of shootbolts top & bottom
- Lockmaster profile specific packer system allow strikers to be fitted to any PVCu profile

### Striker Options Include

- Individual centre latch & dead bolt striker, 2 x combined hook, pin and roller cam strikers  
Or
- Standard one piece striker  
Or
- Enhanced one piece striker supplied with apertures for through fixing of frame to brickwork without the need to remove the striker

## CLOSE-UP



Roller Cam



Deadbolt



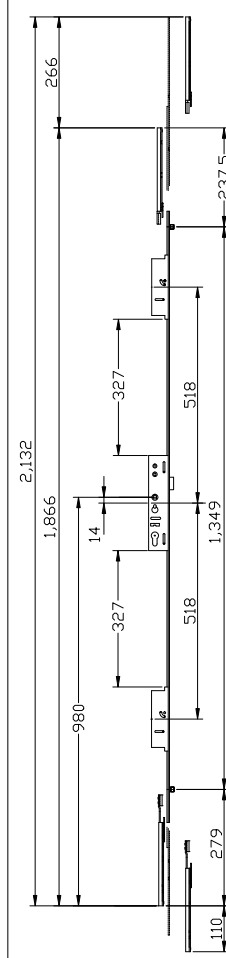
# LockMaster PLSP45 (PL45)

2 Hook, 2 Anti-Lift Pin, 2 Roller

Door  
Locks



## TECHNICAL DRAWINGS



## GUARANTEES



Secured by Design



Police Preferred Specification

## PART NUMBERS

Description	Operation	Backset	Locking Points	Part Number
PLSP45	Single Spindle	35mm	2 hooks, 2 anti-lift pins, 2 rollers	041196P
PL45	Twin Spindle	35mm	2 hooks, 2 anti-lift pins, 2 rollers	041120P



# LockMaster PLSP13-2ER (PL13-2ER)

2 Hook, 2 Pin, 4 Roller



## PRODUCT INFORMATION



- Multipoint door lock suitable for residential doors
- 2 upward locking hooks
- 2 anti-lift pins which automatically engage when hooks are thrown, providing enhanced security
- 2 pre-compression roller cams, with 22mm travel, for enhanced sealing and compression
- Roller cams travel before hooks to ensure smooth operation
- Reversible latch for left or right handed doors
- Option of 92 PZ or 92/62 PZ (Standard or twin spindle)
- Lockmaster profile specific packer system allow strikers to be fitted to any PVCu profile

### Striker Options Include

- Individual centre latch & dead bolt striker, 2 x combined hook, pin and roller cam strikers  
Or
- Standard one piece striker  
Or
- Enhanced security one piece striker supplied with apertures for through fixing of frame to brickwork without the need to remove the striker

## CLOSE-UP



Roller Cam



Centre Latch & Deadbolt

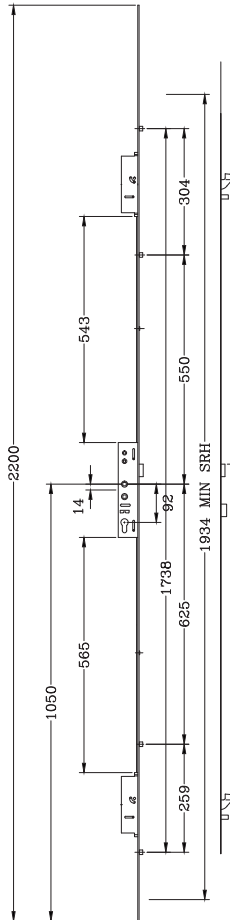
# LockMaster PLSP13-2ER (PL13-2ER)

2 Hook, 2 Pin, 4 Roller

Door  
Locks



## TECHNICAL DRAWINGS



## GUARANTEES



Secured by Design



Police Preferred Specification

## PART NUMBERS

Description	Operation	Backset	Locking Points	Part Number
PLSP13-2ER	Single Spindle	35mm	2 hooks, 2 anti-lift pins, 4 rollers	P041016
PL13-2ER	Twin Spindle	35mm	2 hooks, 2 anti-lift pins, 4 rollers	041025



# LockMaster PLSP100

2 Hook, 2 Pin, 4 Roller



## PRODUCT INFORMATION



- Extendable multipoint lock suitable for all common applications - front door lever/lever or lever/pad, back door lever/lever or French door primary leaf
- Suitable for use on PVCu doors
- 2 upward locking hooks
- 2 anti-lift pins which automatically engage when hooks are thrown, providing enhanced security
- 4 pre-compression roller cams for enhanced sealing and compression
- Roller cams travel before hooks to ensure smooth operation
- Reversible latch for left or right handed doors
- 35mm backset (45mm special order)
- 16mm faceplate (20mm special order)
- Option of 92 PZ or 92/62 PZ (standard or twin spindle)
- Option of shootbolts top & bottom

### Striker Options Include

- Individual centre latch & dead bolt striker, 2 x combined hook, pin and roller cam strikers  
Or
- Standard one piece striker  
Or
- Enhanced one piece striker supplied with apertures for through fixing of frame to brickwork without the need to remove the striker

## CLOSE-UP



Roller Cam



Centre Latch & Deadbolt

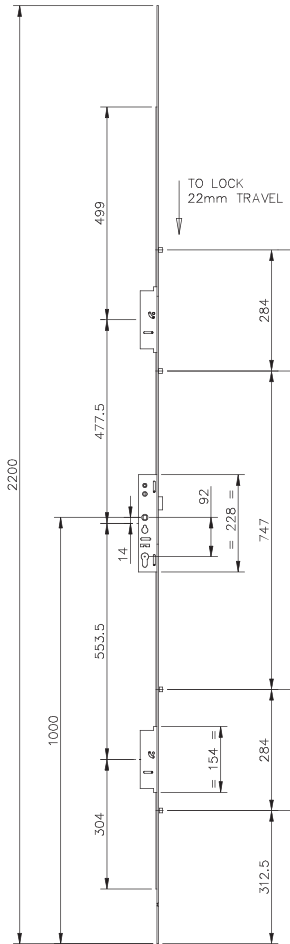
# LockMaster PLSP100 (PL100)

2 Hook, 2 Pin, 4 Roller

Door  
Locks



## TECHNICAL DRAWINGS



## GUARANTEES



Secured by Design



Police Preferred Specification

See our range of shootbolts

from  
PAGE  
262

## PART NUMBERS

Description	Operation	Backset	Locking points	Part numbers
PL100	Twin Spindle	35mm	2 hooks, 2 anti-lift pins, 4 rollers	041020
PLSP100	Single Spindle	35mm	2 hooks, 2 anti-lift pins, 4 rollers	041000



# LockMaster PLSP105 (PL105)

Yale®

3 Deadbolt

## PRODUCT INFORMATION



- Multipoint residential door lock
- Reversible latch to suit both left and right handed doors
- Centre deadbolt with hardened anti-saw pins
- 2 x additional deadbolts positioned top and bottom
- 35mm backset
- 16mm faceplate
- Option of 92 PZ or 92/62 PZ (standard or twin spindle)

## CLOSE-UP



Centre Latch & Deadbolt

# LockMaster PLSP105 (PL105)

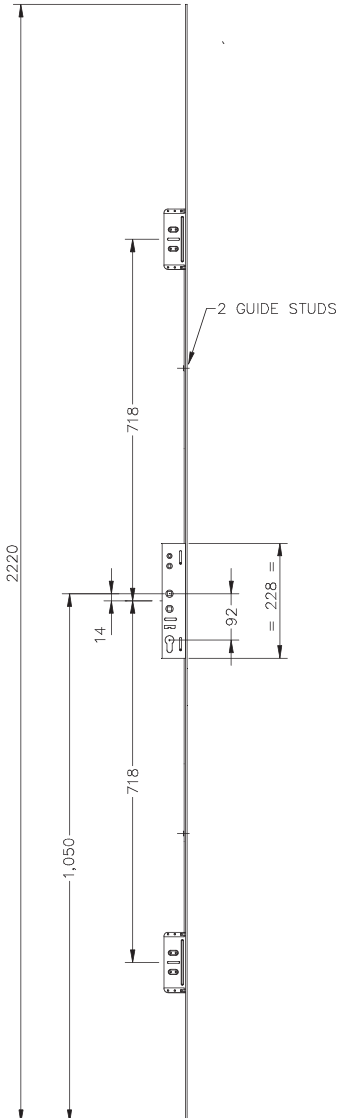
3 Deadbolt

Door  
Locks



TECHNICAL DRAWINGS

GUARANTEE



## PART NUMBERS

Description	Operation	Backset	Locking points	Part numbers
PLSP105	Single Spindle	35mm	3 deadbolts	041008
PL105	Twin Spindle	35mm	3 deadbolts	041028



# LockMaster PLSP11 (PL11)

4 Roller



## PRODUCT INFORMATION



- Multipoint residential door lock
- 4 pre-compression roller cams for enhanced sealing and compression
- Reversible latch to suit both left and right handed doors
- Deadbolt with hardened anti-saw pins
- 35mm backset
- 16mm faceplate
- Option of 92 PZ or 92/62 PZ (standard or twin spindle)

## CLOSE-UP



Centre Latch & Deadbolt



# LockMaster PLSP11 (PL11)

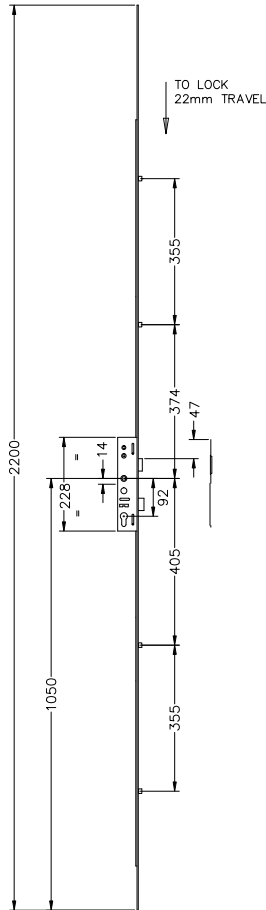
4 Roller

Door  
Locks



## TECHNICAL DRAWINGS

## GUARANTEE



## PART NUMBERS

Description	Operation	Backset	Locking points	Part numbers
PLSP11	Single Spindle	35mm	4 rollers, deadbolt centre case	041010
PL11	Twin Spindle	35mm	4 rollers, deadbolt centre case	041030



# LockMaster PLSP104

2 Roller



## PRODUCT INFORMATION



- Extendable multipoint lock for residential or French doors
- 2 pre-compression roller cams for enhanced sealing and compression
- Reversible latch to suit both left and right handed doors
- Deadbolt with hardened anti-saw pins
- 35mm backset
- 16mm faceplate
- Option of 92 PZ or 92/62 PZ (standard or twin spindle)

## CLOSE-UP



Deadbolt

See our range of shootbolts

from  
PAGE  
262

# LockMaster PLSP104

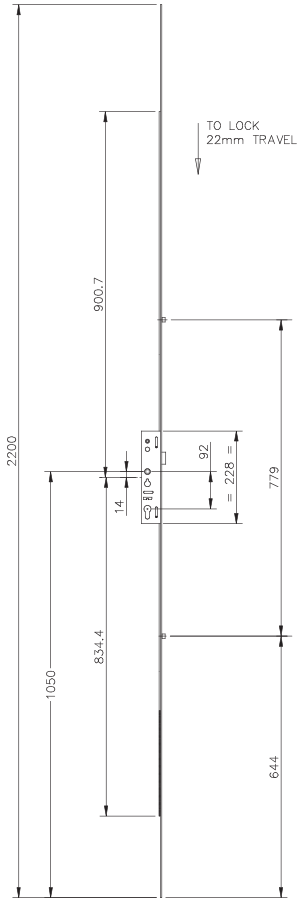
2 Roller

Door  
Locks



## TECHNICAL DRAWINGS

## GUARANTEE



## PART NUMBERS

Description	Operation	Backset	Locking points	Part numbers
PLSP104	Single Spindle	35mm	2 rollers, deadbolt centrecase	041006



# LockMaster PLSP30 (PL30)



## Secondary Lock

### PRODUCT INFORMATION



- Extendable secondary lock suitable for use on the secondary leaf of a pair of French doors
- Tooth couplings enable the addition of shootbolts top & bottom
- Shootbolts secure into adjustable French door strikers for optimum compression at the top and bottom of the door
- Smooth lever/lever operation
- 35mm backset
- 16mm faceplate
- PZ 92
- Enhanced security shootbolts are also available featuring a "return" for additional screw fixing into the sash

### CLOSE-UP



Handle operated shootbolt locking

See our range of shootbolts

from  
PAGE  
262

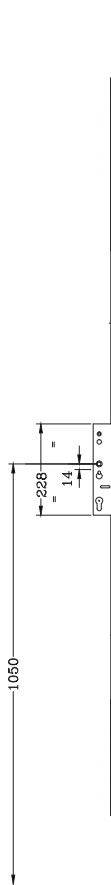
# LockMaster PLSP30 (PL30)

Secondary Lock

Door  
Locks



## TECHNICAL DRAWINGS



## GUARANTEES



Secured by Design



Police Preferred Specification

## PART NUMBERS

Description	Operation	Backset	Locking Points	Part Numbers
PLSP30 - Secondary lock	Single Spindle	35mm	Latch, deadbolt	041048P
PL30 - Secondary lock	-	35mm	Latch, deadbolt	041045



# LockMaster PL85

## Composite Door Lock



### PRODUCT INFORMATION



- Multipoint lock for composite doors
- 45mm wide coloured faceplate replaces requirement for edging strip on composite doors
- 2 upward locking hooks for anti-separation protection
- Deadbolt centre designed specifically for 44mm thick composite doors
- Aluminium or PVCu faceplates are available in either white or brown
- Reversible latch to suit both left and right handed doors
- 35mm backset
- PZ 92 centre case

### CLOSE-UP



Option of brown or white faceplate



Hooks for enhanced security



45mm Backset, PZ 92

# LockMaster PL85

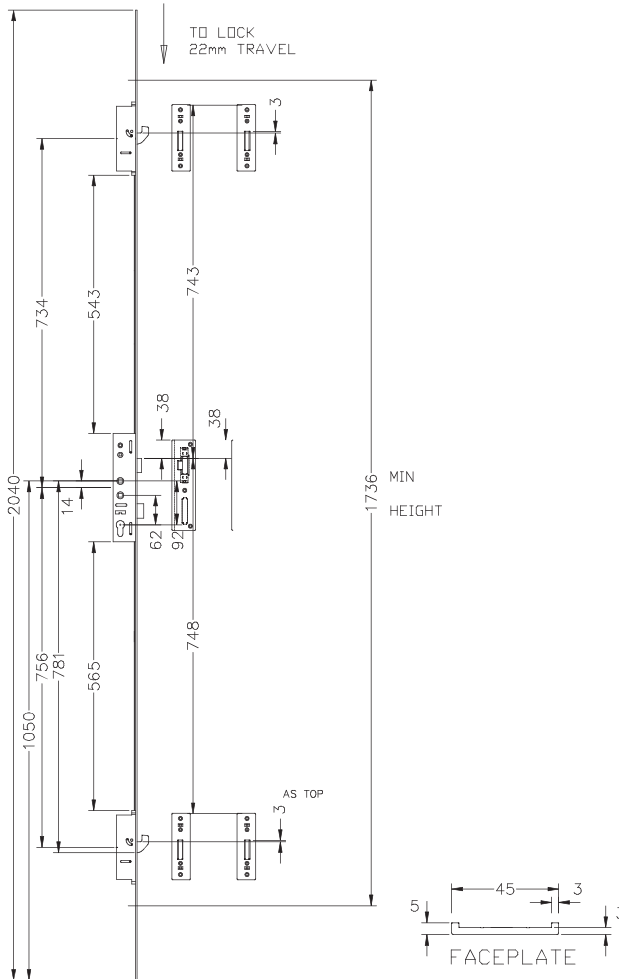
Composite Door Lock

Door  
Locks



## TECHNICAL DRAWINGS

## GUARANTEES



## PART NUMBERS

Description	Operation	Backset	Locking Points	Part Numbers
PL85 - White	Twin Spindle or Single Spindle	45mm	2 hooks	041370
PL85 - Brown	Twin Spindle or Single Spindle	45mm	2 hooks	041371



# LockMaster PLSP18 (PL18)

For Composite & Timber



## PRODUCT INFORMATION



- Multipoint lock for composite and timber doors
- 2 hooks, latch and deadbolt combination provide enhanced security
- 35mm and 45mm backset
- 16mm or 20mm faceplate with square or radius ends
- Normal or twin spindle gearbox
- Tested to PAS 24 for enhanced security
- Tested to BSEN 1670: grade 4 achieving 240 hours corrosion resistance
- Tested to BS 6375-1 for weathertightness
- Tested to BS 6375-2 in excess of 50,000 cycles for operational reliability
- Police preferred specification - Secured by Design approved product

## CLOSE-UP



Hook & pin



Centre Latch & deadbolt



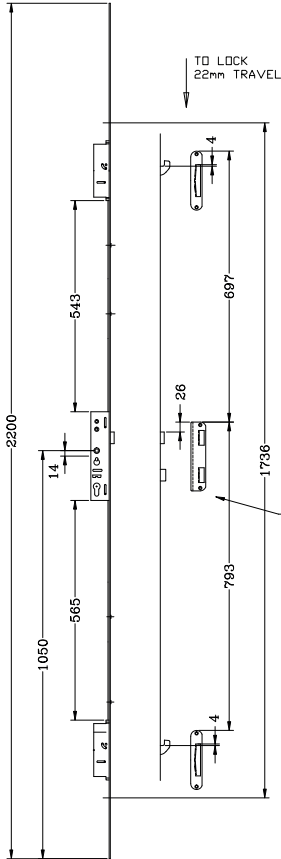
# LockMaster PLSP18 (PL18)

For Composite & Timber

Door  
Locks



## TECHNICAL DRAWINGS



## GUARANTEES



Secured by Design



Police Preferred Specification

## PART NUMBERS

Description	Operation	Faceplate	Backset	Locking Points	Ends	Part Numbers
PLSP18	Single Spindle	16	35	2 Hook	Square	041195
PLSP18	Single Spindle	16	45	2 Hook	Square	041191
PLSP18	Single Spindle	20	45	2 Hook	Square	041192
PLSP18	Single Spindle	20	45	2 Hook	Radius	041193
PLSP18	Single Spindle	20	35	2 Hook	Radius	041198



# YLKT45-TH20

## Townhouse Lock



### PRODUCT INFORMATION



- Key operated multipoint residential door lock
- Locking points are thrown and locked by operation of the key
- Designed to suit a wide variety of furniture
- 20mm faceplate
- 45mm backset
- Tested in excess of 200,000 cycles
- BS EN 1670 accredited, salt spray tested to 240 hours
- PAS 24:2012 accredited
- Designed and manufactured in the UK

### CLOSE-UP



Hook & pin



Key operated



# AS 7370

2 Pin

## PRODUCT INFORMATION



- Extendable multipoint lock for residential and French doors
- 2 pins
- Pins throw 20mm
- Reversible latch to suit both left and right handed doors
- Anti-saw deadbolt
- 35mm and 45mm backset options
- 16mm faceplate
- PZ 92
- Lever/lever operation

**For use with KFV Hurricane Lock AS 7006**

- Locking system for timber & composite double doors
- Removes the need for a false mullion

PAGE  
239

# AS 7370

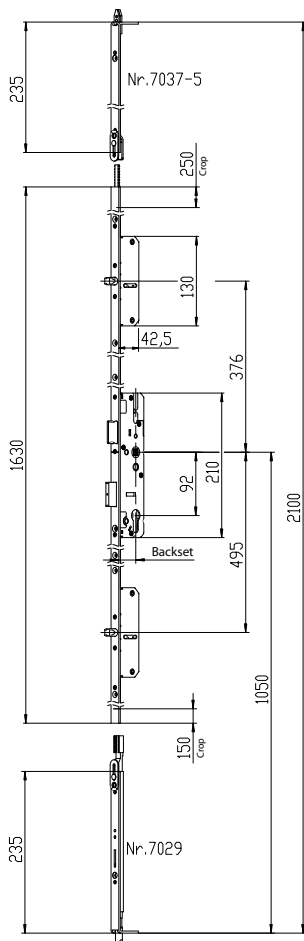
2 Pin

Door  
Locks



## TECHNICAL DRAWINGS

## GUARANTEE



## PART NUMBERS

Description	Operation	Backset	Locking points	Part numbers
AS 7370	Lever/lever	35	2 pin, latch & deadbolt	046214
AS 7370	Lever/lever	45	2 pin, latch & deadbolt	046224

# AS 7970

2 Hook

## PRODUCT INFORMATION



- Extendable multipoint lock for residential doors
- 2 hardened steel hooks
- Reversible latch to suit both left and right handed doors
- Anti-saw deadbolt
- 28mm and 35mm backset options
- 16mm faceplate
- Pz 92
- Operation: lever/lever

For use with KFV Hurricane Lock AS 7006

- Locking system for timber & composite double doors
- Removes the need for a false mullion

PAGE  
239

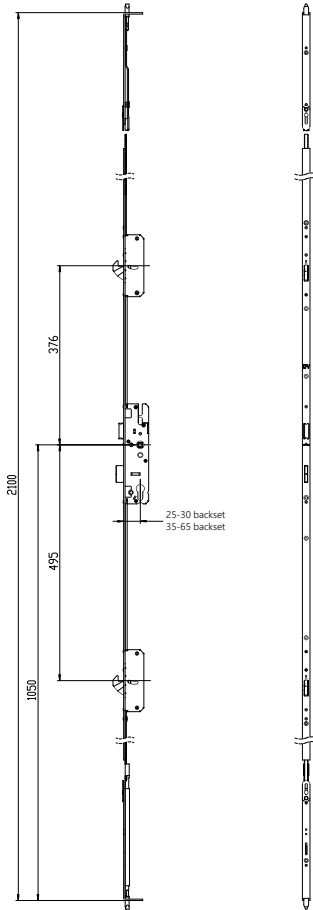
# AS 7970

2 Hook

Door  
Locks



## TECHNICAL DRAWINGS



## GUARANTEE



See our range of shootbolts

from  
PAGE  
262

## PART NUMBERS

Description	Operation	Backset	Locking points	Part Numbers
AS 7970	Single Spindle	28mm	2 hooks	047841
AS 7970	Single Spindle	35mm	2 hooks	047910



# Hurricane Lock AS 7006

## Secondary Lock for Timber

### PRODUCT INFORMATION



- Extendable multipoint lock for timber and composite double door systems
- Tested to withstand Dade County (Florida) Hurricane Tests
- Achieve double door security with 4 shootbolts, 2 hooks, latch and deadbolt
- 45mm backset
- Locking points maintain integrity of door sash and help prevent twisting or warping
- 20 mm throw of shootbolts (laminated steel)
- 21mm throw of hooks (hardened steel)
- 16mm deadbolt throw with anti-saw protection
- Universal routing for both door sashes means handing can be changed without additional work to lock preparation
- Complies with MLA/ABI minimum insurance requirements
- Door cannot be locked until secondary door is secured, ensuring both doors are fully secured every time they are closed
- Secondary door cannot be accidentally unlocked as primary door also has a secondary lock retaining function which locks into secondary door lock
- PZ 92



# KFV Hurricane Lock AS 7006

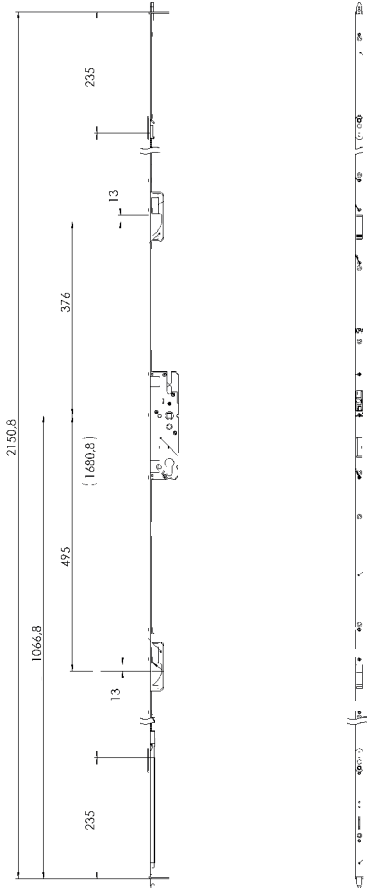
Secondary Lock for Timber

Door  
Locks



## TECHNICAL DRAWINGS

## GUARANTEE



See our range of shootbolts

from  
PAGE  
262

## PART NUMBERS

Description	Operation	Backset	Locking points	Part numbers
Hurricane Lock AS7006	Single Spindle	45mm	4 shootbolts, 2 hooks, latch and deadbolt	046080



# AS 4900

2 Hook

## PRODUCT INFORMATION



- Multipoint residential door lock
- 2 hardened steel hooks
- Reversible latch to suit both left and right handed doors
- Anti-saw deadbolt
- 35mm backset
- 16mm faceplate
- PZ 92
- Operation: lever/lever

## CLOSE-UP



# AS 4900

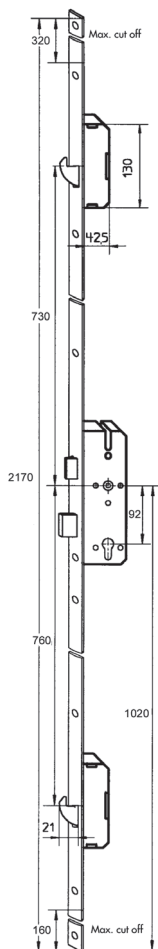
2 Hook

Door  
Locks



## TECHNICAL DRAWINGS

## GUARANTEE



## PART NUMBERS

Description	Operation	Backset	Locking points	Part numbers
AS4900 Multipoint Lock	Single Spindle	35	2 hooks	047787



# AS 4350

2 Pin

## PRODUCT INFORMATION



- Multipoint residential door lock
- 2 hardened steel pins to protect against sawing
- Reversible latch to suit both left and right handed doors
- Anti-saw deadbolt
- 28mm, 35mm, 40mm, 45mm backset options
- 16mm faceplate
- PZ 92
- Operation: lever/lever

## CLOSE-UP



# AS 4350

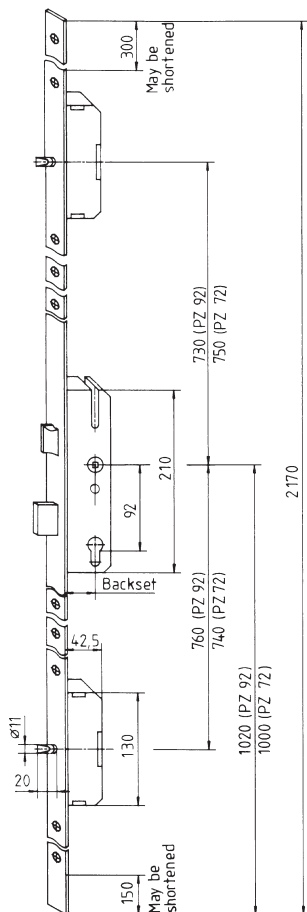
2 Pin

Door  
Locks



## TECHNICAL DRAWINGS

## GUARANTEE



## PART NUMBERS

Description	Operation	Backset	Locking points	Part Numbers
AS4350*	Single Spindle	28mm	2 pin	047446
AS4350	Single Spindle	35mm	2 pin	047453
AS4350	Single Spindle	40mm	2 pin	047462
AS4350	Single Spindle	45mm	2 pin	047466

\* special order



# AS 4050

4 Roller

## PRODUCT INFORMATION



- Multipoint residential door lock
- 4 roller cams, compression adjustable +/-1mm
- Reversible latch to suit both left and right handed doors
- Anti-saw deadbolt
- 25mm, 28mm, 30mm, 35mm, 40mm, 45mm backset options
- 16mm faceplate
- PZ 92
- Operation: lever/lever

## CLOSE-UP



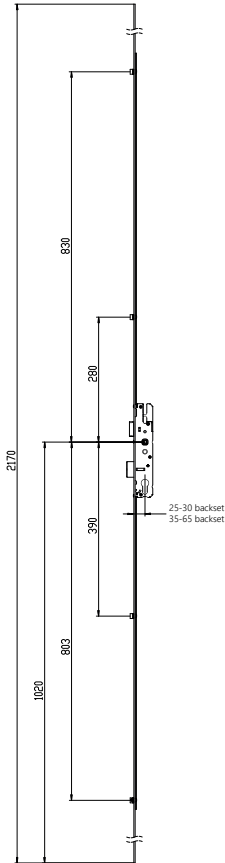
# AS 4050

4 Roller

Door  
Locks



## TECHNICAL DRAWINGS



## GUARANTEE



## PART NUMBERS

Description	Operation	Backset	Locking points	Part numbers
AS 4050	Single Spindle	25mm	4 Roller Cam	047324
AS 4050	Single Spindle	28mm	4 Roller Cam	047326
AS 4050	Single Spindle	30mm	4 Roller Cam	047334
AS 4050	Single Spindle	35mm	4 Roller Cam	047339
AS 4050	Single Spindle	40mm	4 Roller Cam	047344
AS 4050	Single Spindle	45mm	4 Roller Cam	047349



# AS 2300

W20 For Stable Doors

## PRODUCT INFORMATION

---



- Stable door locking system
- 2 round bolts/ pins - one on the top half, one on the bottom half
- Reversible latch to suit both left and right handed doors
- Anti-saw deadbolt
- Shootbolt on bottom half to secure into upper leaf
- 35mm backset
- 16mm faceplate
- PZ 92
- Operation: stable door

## CLOSE-UP

---



## GUARANTEE

---





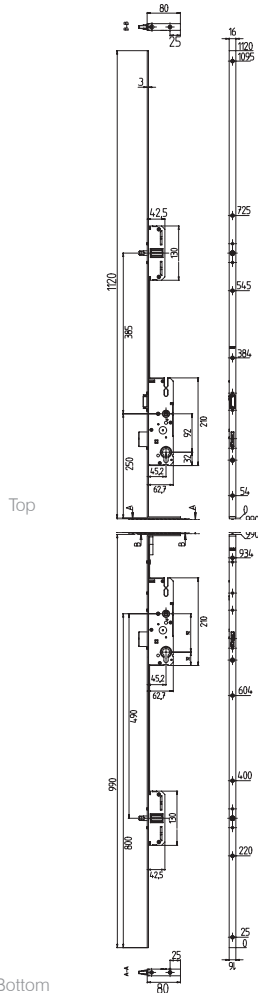
# AS 2300

W20 for Stable Doors

Door  
Locks



## TECHNICAL DRAWINGS



## OPERATION

1. To close and lock from inside/outside: close bottom part and thereafter top part, or both parts together
2. Turn cylinder on top part and bottom part
3. Shootbolts and deadbolts engage in strikers. Door is now fully locked
4. To open top door only from inside/outside: turn cylinder on top door. Deadbolt and shootbolt disengage from strikers.
5. Latch can be retracted by handle or cylinder to release top door.
6. To open both top and bottom doors from inside/outside: turn cylinder on bottom door first and then turn cylinder on top door. Deadbolts and shootbolt disengage from strikers.
7. Latch on top door can be retracted by handle or cylinder to release complete door.

## PART NUMBERS

Description	Backset	BOM.
AS2300/W20 Stable Door Lock	35mm	KFVSTABLE
Kit includes lock, strikers, packers and escutcheon set		



# AS 3500 Automatic Lock

**KFV®**

Magnetic Technology

## PRODUCT INFORMATION



The AS3500 is an automatic multipoint lock for residential doors.

- Two upward locking high security hooks
- Hooks are triggered using magnetic technology without the need for release latches
- Hook travel: 20mm
- Magnetic trigger technology ensures that the hooks are only activated when the patented magnetic trigger is opposite the faceplate
- 16mm stainless steel faceplate
- Standard routing in sash and frame
- Suitable for use with standard strikers for multipoint doors
- Suitable for right or left handed doors

## DETAILS



Left: Hook & magnetic  
striker

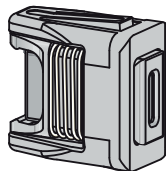
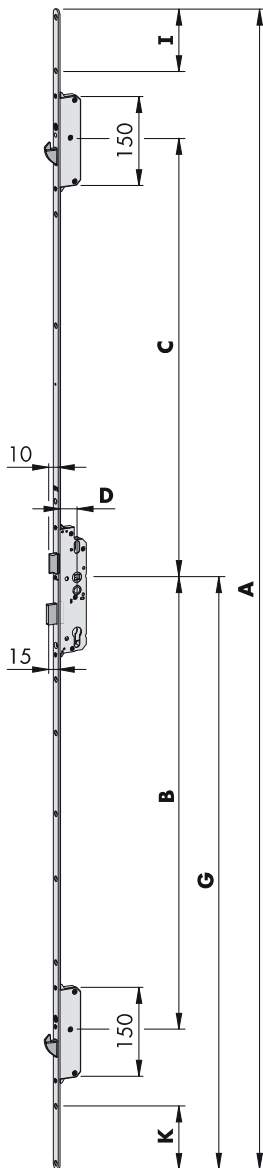
# AS 3500 Automatic Lock

Magnetic Technology

Door  
Locks



## TECHNICAL DRAWINGS



 Magnet

## GUARANTEE



Abmessungen (mm)						
B-Ausführung	A	B	C	G	I	K
B001	2170	760	730	1020	290	130
B003	2400	760	980	1020	270	130
B039	1700	760	355	952	263	62
B041	1700	760	605	952	13	62
B166	1855	760	730	952	43	62
B253	2170	760	980	952	108	62
B296	2170	760	355	1020	665	130
B298	2170	760	605	1020	415	130

## PART NUMBERS

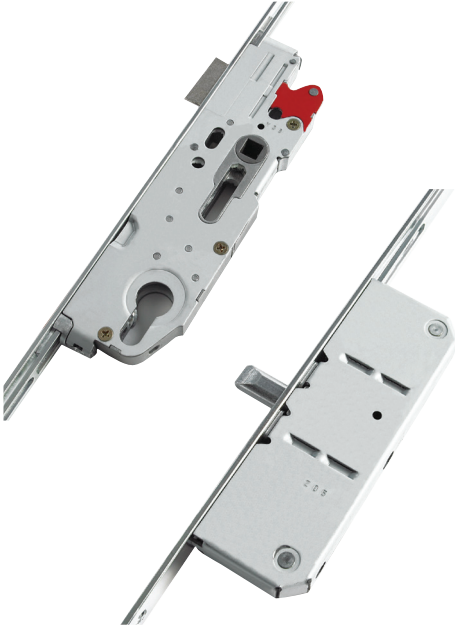
Description		Part Numbers
AS 3500 Stable Door Lock	45mm	047990
Magnetic Hook Striker Plate	-	408097
2 per door required	-	
R/H Striker	-	408099
L/H Striker	-	408098
Magnet	-	409912
2 per door required	-	



# Pin Panic Lock

For Emergency Exit

## PRODUCT INFORMATION



- Combines enhanced security with emergency exit technology for both single and double doors
- Multipoint locking system
- 2 pins and deadbolt for security
- Pins throw 20mm
- Reversible latch to suit both left and right handed doors
- Anti-saw deadbolt
- Panic bar
- Tested and certified to EN 1125, European standard for Panic Exit Devices
- BS EN 1125 classification: 37601322A
- Kits available for both single and double doors
- Suitable for use on PVCU, timber and aluminium doors
- Internal operation via panic bar
- Panic bar finished in exit green
- External access kit available
- For all applications door will always open from inside to allow emergency egress



## MATERIAL SPECIFICATION

### Single Doors Rebate Size

Minimum Width 700mm  
Maximum Width 2400mm

### Double Doors Rebate Size

Minimum Width 1600mm  
Maximum Width 2400mm

### Single Door/Primary Leaf Specification

35mm backset multipoint lock featuring 2 pins with 20mm throw, reversible latch and deadbolt

### Secondary Door Specification

35mm backset secondary door lock with shootbolts top and bottom

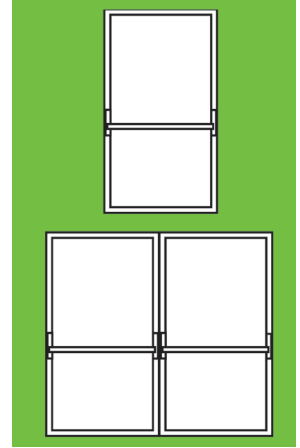
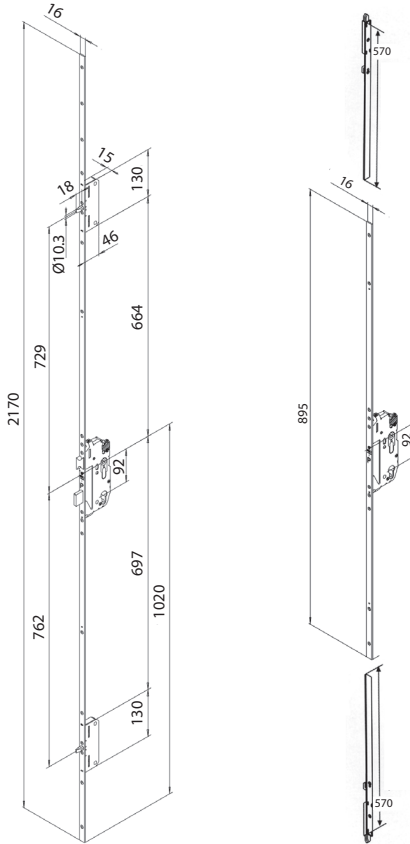
# Pin Panic Lock

For Emergency Exit

Door  
Locks



## TECHNICAL DRAWINGS



Single & double door kits available

## PART NUMBERS

### Description

- Primary/Single Door
- Secondary Door
- External Access Kit
- Door Kit
- Door Kit

### Part Numbers

- 043870
- 043875
- 043880
- PINMASTER
- PINSLAVE

## GUARANTEE





# Surface Mounted Panic Lock

For Emergency Exit

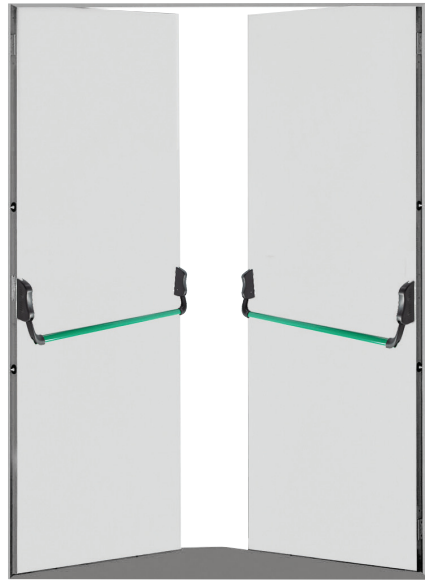
## PRODUCT INFORMATION



- Multipoint locking system with surface mounted panic bar kit
- Kits available for both single and double doors
- Single door features 3 horizontal locking bolts
- Double door features 3 horizontal locking bolts on primary leaf and twin vertical bolts on secondary leaf
- Tested and certified to EN 1125, European standard for Panic Exit Devices
- BS EN 1125 classification: 37601322A
- Internal operation via panic bar
- External access kit available



Single Door Kit



Double Door Kit

# Surface Mounted Panic Lock

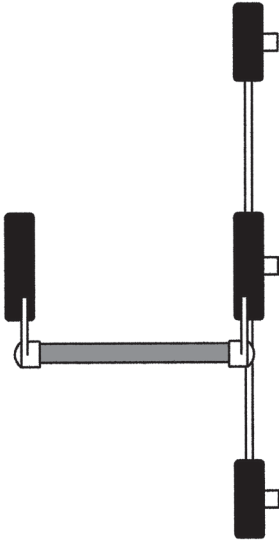
For Emergency Exit

Door  
Locks

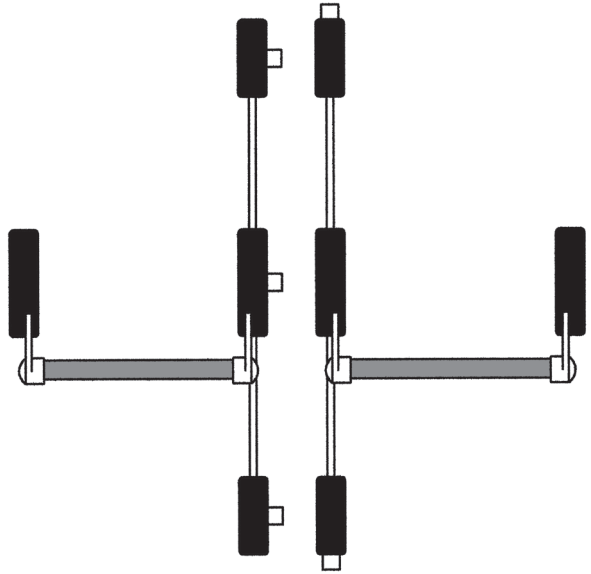


## TECHNICAL DRAWINGS

Single Door Kit



Double Door Kit



## PART NUMBERS

### Description

Primary Panic Door Kit

Secondary Panic Door Kit

External Access Handle - including Cylinder

Panic Door Push Pad

### Part Numbers

043961

043971

043980

043983

## GUARANTEE





# Push Button Lock Kit

## Code Lock

### PRODUCT INFORMATION



- Heavy duty mechanically coded lock
- Full size lever handles suitable for use in high traffic situations
- Lever handles allow it to be used as the primary lock on most doors
- Functions allow for comprehensive control of the door
- 2047 codes to choose from
- Stainless steel finish
- For use with mortice or multipoint locks a minimum backset of 40mm is required
- We recommend use with a customised 49PZW lock (see page 259) which is available via Mila Technical team



# Push Button Lock Kit

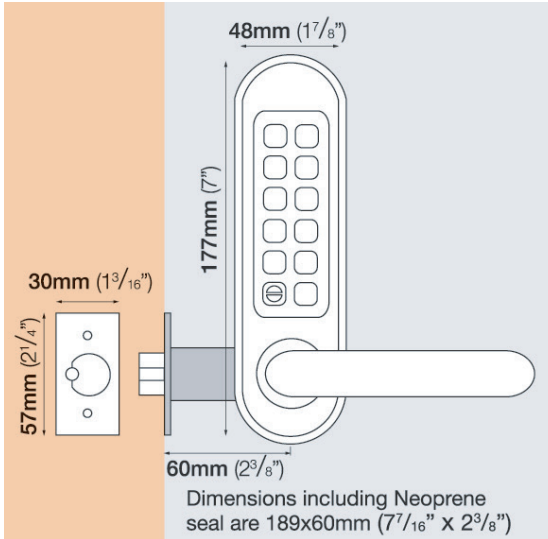
Code Lock

Door  
Locks



TECHNICAL DRAWINGS

GUARANTEE



## PART NUMBERS

### Description

Digital Lock

Extra Length Spindle (60 - 70mm door profiles will require longer handle spindles)

Push button door lock kit

### Part Numbers

044711

044719

PBLK1



# iDeal Lockcase Range

## PRODUCT INFORMATION

---



- This is a remedial lockcase
- Deadbolt has 18mm single throw
- Deadbolt is protected against sawing with hardened steel pins
- Latchbolt can be operated by handle and deadlocked by cylinder
- 16mm faceplate
- 35mm backsets
- Available in single and twin spindle versions

## GUARANTEE

---

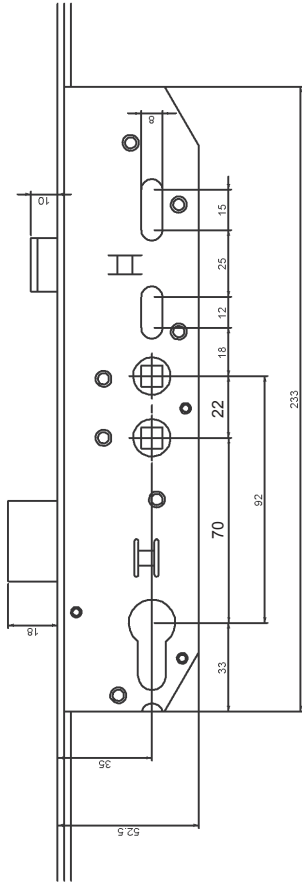


# iDeal Lockcase Range

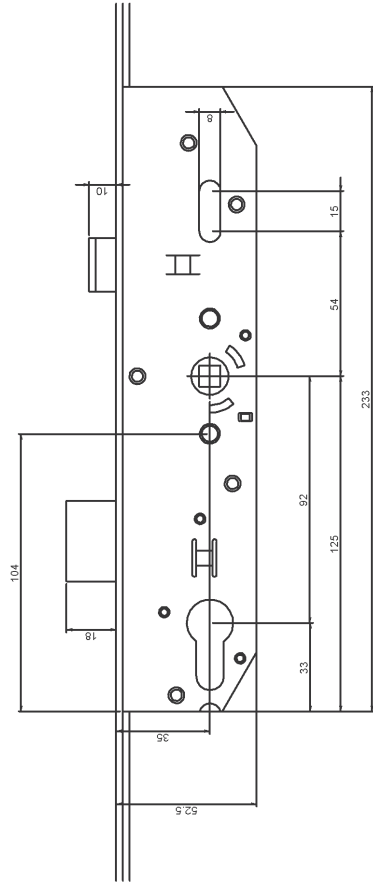
Door  
Locks



## TECHNICAL DRAWINGS



Lever/Pad



Lever/Lever

## PART NUMBERS

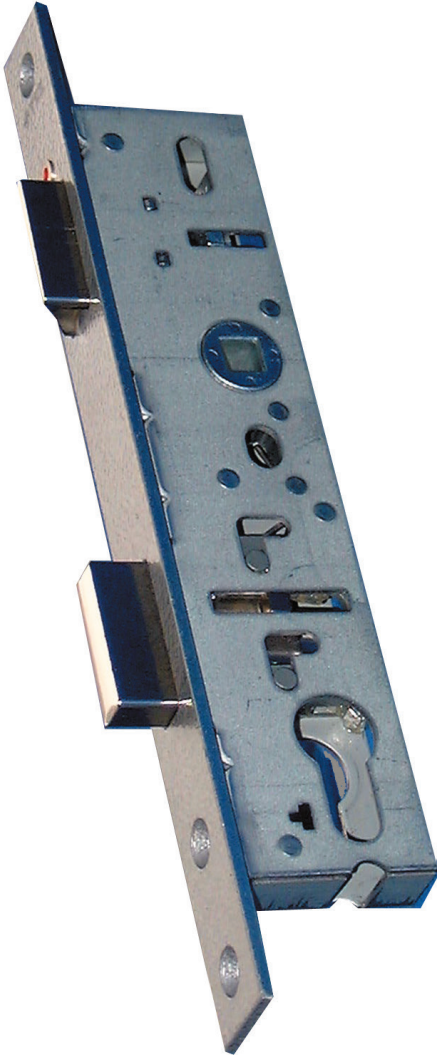
Description	Backset	Operation	PZ	Part Numbers
iDeal lockcase	35	Single Spindle	92	047200
iDeal lockcase	35	Twin Spindle	92/70	047201



# 49PZW Mortice Lock

## PRODUCT INFORMATION

---



- Security mortice lock
- Deadbolt operated by cylinder
- Deadbolt has 20mm single throw
- Deadbolt is protected against sawing with hardened steel pins
- Latchbolt can be operated by handle or cylinder
- Option of 16mm or 24mm faceplate
- Backsets from 25mm - 45mm
- Suits standard lever/lever or lever/pull pad handles with PZ 92

## GUARANTEE

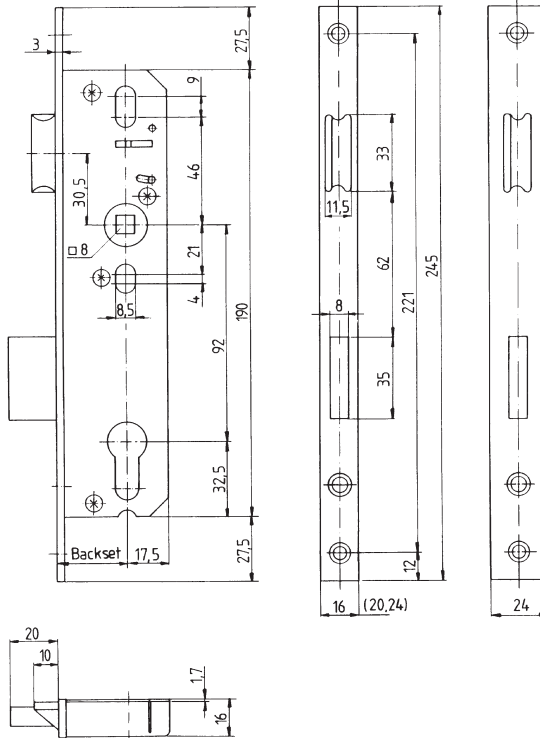
---



# 49PZW Mortice Lock



## TECHNICAL DRAWINGS



## PART NUMBERS

Description	Backset (mm)	Finish	Part Number 24mm Faceplate	Part Number 16mm Faceplate
Mortice Lock	25	Zinc plated	-	040708*
Mortice Lock	25	Stainless steel	040701*	-
Mortice Lock	30	Zinc plated	-	040724*
Mortice Lock	30	Stainless steel	040717*	040725*
Mortice Lock	35	Zinc plated	040732*	040740
Mortice Lock	35	Stainless steel	-	040741*
Mortice Lock	40	Zinc plated	040748*	-
Mortice Lock	40	Stainless steel	-	040757*
Mortice Lock	45	Zinc plated	-	040772
Mortice Lock	45	Stainless steel	040765*	040773*

\*special order



# Electronic Latch

Fail Safe and Fail Secure

## PRODUCT INFORMATION



- Electronic latch for residential doors
- Fail safe feature - unlocks in the event of a fire
- Fail secure feature - remains locked in the event of a power cut
- We recommend use with a customised 49PZW lock which is available via Mila Technical team
- Suitable for use with Mila universal latch and deadbolt striker - see page 276

## CLOSE-UP



## GUARANTEE



## PART NUMBERS

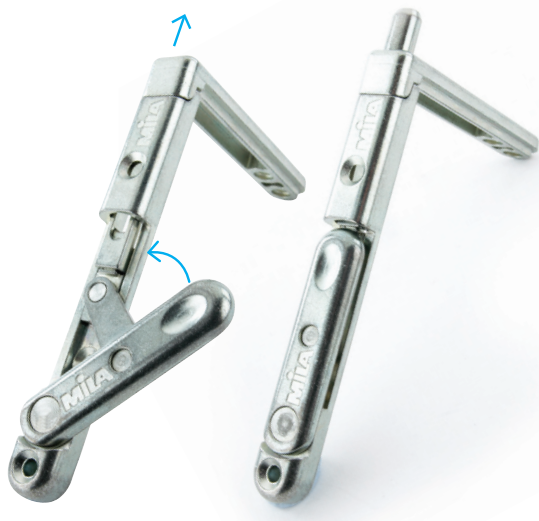
Description	Part Number
Fail Secure	046750
Fail Safe	046751



# iDeal Large Shootbolt

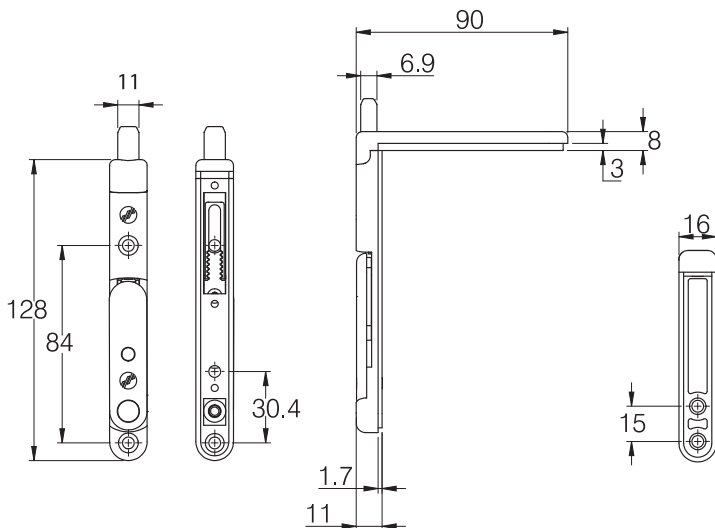
Finger Operated

## PRODUCT INFORMATION



- Finger operated shootbolt
- 11mm shootbolt width
- Shootbolt throws 12 - 16mm
- For use on the secondary leaf, top and bottom, of a pair of French doors
- Suitable for use on the secondary leaf of a pair of French windows
- Rotational lever requires only minimal operating forces

## TECHNICAL DRAWINGS



## GUARANTEE



## PART NUMBERS

### Description

Large Finger Operated Shootbolt  
044202



# iDeal Small Shootbolt

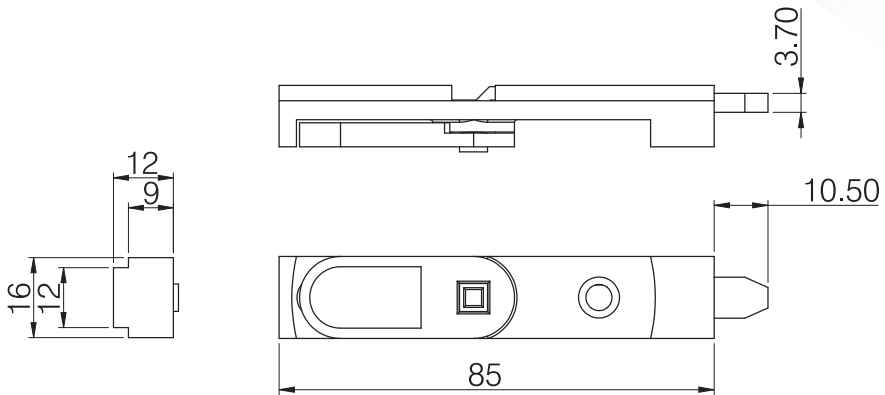
Finger Operated

## PRODUCT INFORMATION



- Zinc die-cast shootbolt
- Finger operated
- Shootbolt throws 10.5mm
- Suitable for eurogrooves or flat surfaces
- Suitable for use on the secondary leaf, top and bottom, of a pair of French doors
- Suitable for use on the secondary leaf of a pair of French windows

## TECHNICAL DRAWINGS



## PART NUMBERS

**Description**  
Small Finger Operated Shootbolt

**Material**  
Zinc plated

**Part Number**  
044101

## GUARANTEE





# iDeal Standard Shootbolt

Finger Operated

Door  
Locks



## PRODUCT INFORMATION



- Stainless steel shootbolt
- Finger operated
- Shootbolt throws 14mm
- Slim design allows more tolerance
- Suitable for eurogrooves or flat surfaces
- Suitable for use on the secondary leaf, top and bottom, of a pair of French doors
- Suitable for use on the secondary leaf of a pair of French windows

## GUARANTEE



## PART NUMBERS

### Description

Finger Operated Shootbolt

### Material Finish

Stainless Steel

### Part Number

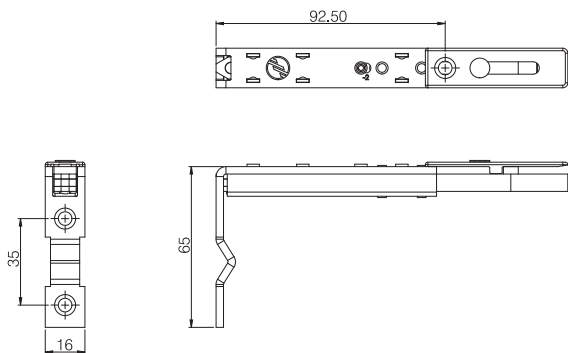
044120



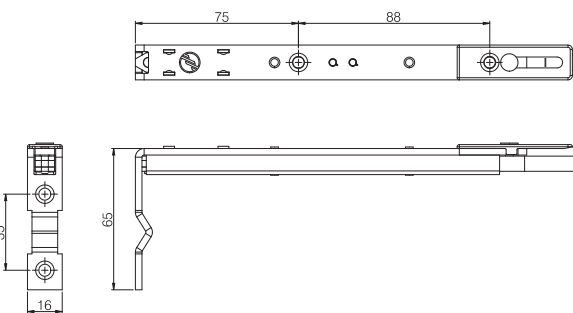
# Normal & Reverse Action Shootbolt

For French Doors and Enhanced Security Applications

## PRODUCT INFORMATION



Normal action



Reverse action

- For both French door and enhanced security applications
- Laminated for enhanced security
- Chamfered shootbolt ensuring easy operation
- Standard and high security variants
- Compatible with Mila, Yale and KfV door lock ranges
- Corrosion resistance to EN1670:2007 Grade 4
- Tested to a minimum of 50,000 cycles
- Security version tested to the enhanced security requirements of PAS: 2016
- Police Preferred Specification - ProSecure security shootbolt approved by Secured by Design

## GUARANTEE



## PART NUMBERS

Description	Part Number for Mila Lock	Part Number for Yale Lock	Part Number for KfV Lock
Normal Action Shootbolt	046324C	046326C	046316C
Reverse Action Shootbolt	046325C	046327C	046317C
ProSecure Security Shootbolt - normal action	046318C	046320C	-
ProSecure Security Shootbolt - reverse action	046319C	046321C	-

# Door Shootbolt



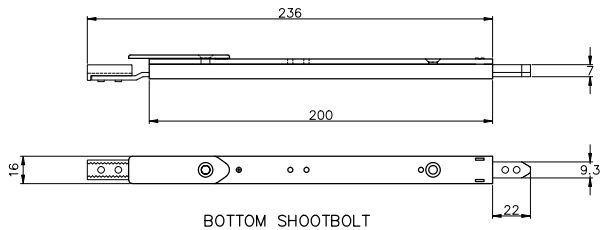
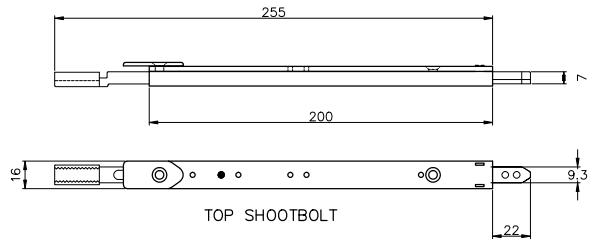
LockMaster Shootbolt Set



## Description

Standard Shootbolt Set

041060P



## PRODUCT INFORMATION **KFV**

### Description

KFV Shootbolt  
Reverse Action Shootbolt  
Reverse Action Shootbolt  
Normal Action Shootbolt  
Normal Action Shootbolt  
Normal Action Shootbolt - Oblong

No.8032 Silver Finger Bolt  
No.7029.16 Silver  
No.7029.16 Stainless Steel  
No.7037.16 Stainless Steel  
No.7037.16 Silver  
No.7037.6.16 Silver

### Part Number

044239  
046301  
046304  
046306  
046309  
046311N