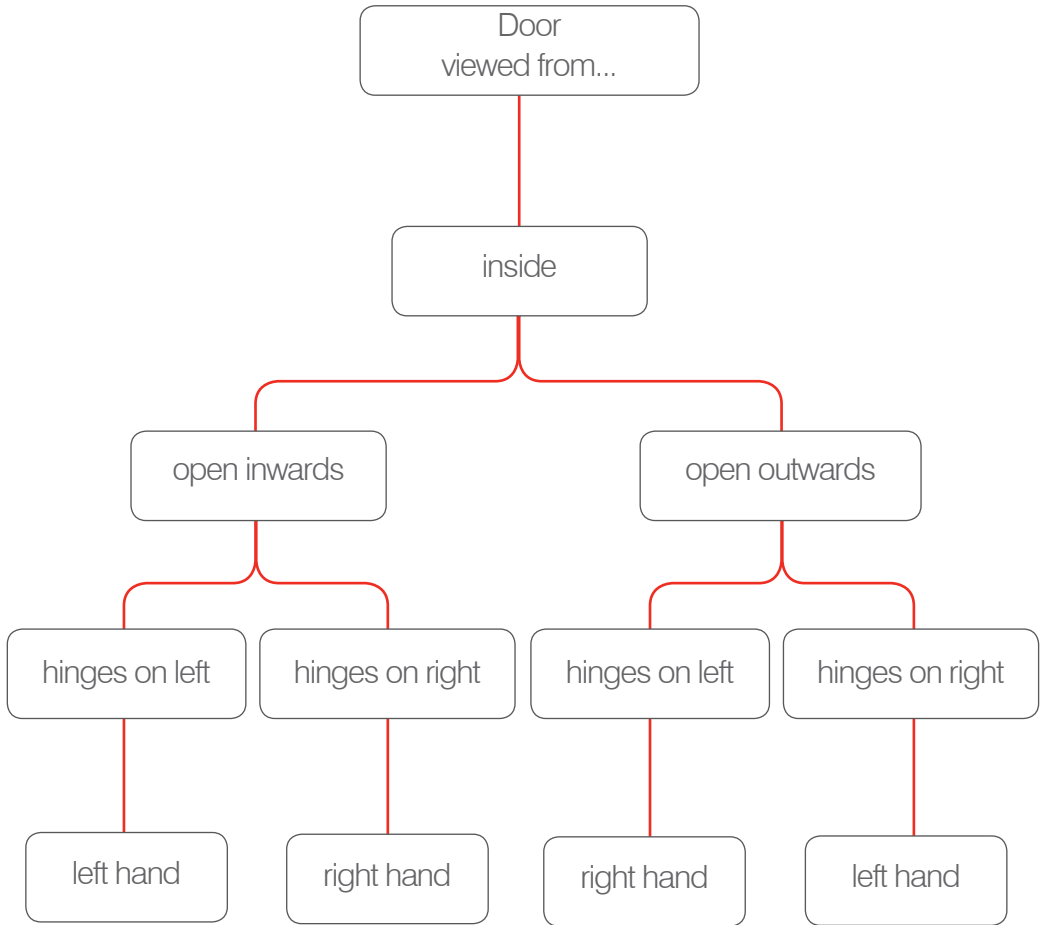


# Strikers



# Strikers - How to hand guide

FOLLOW THE FLOW CHART TO IDENTIFY THE CORRECT HANDED HARDWARE



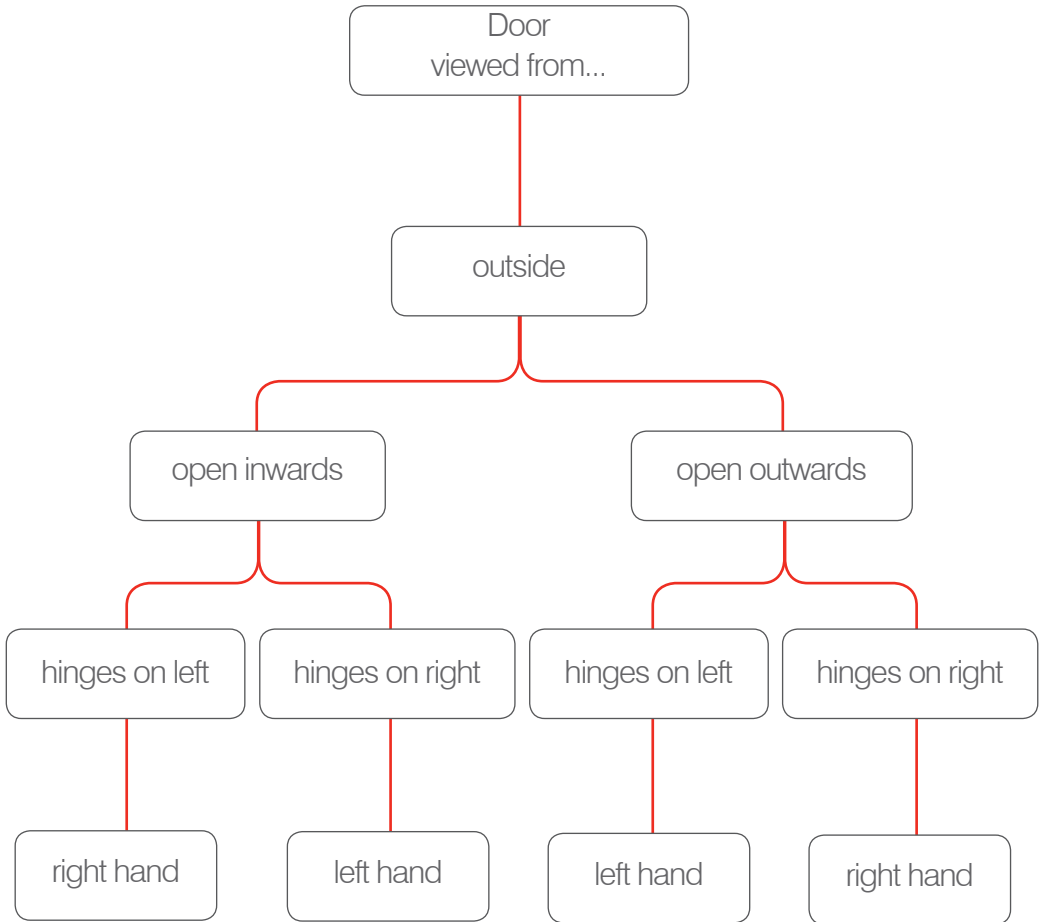
**TOP TIP**

Look at the door making sure that you are on the side of the door where you can see the hinges. If the hinges are on the left, then the door is left handed. If they are on the right, the door is right handed.

# Strikers - How to hand guide



FOLLOW THE FLOW CHART TO IDENTIFY THE CORRECT HANDED HARDWARE





# ProSecure One Piece Striker

## PRODUCT INFORMATION & GUARANTEE

- ProSecure steel one-piece strikers are strong, fast-to-fit, utilise captive twist 'n' clip profile related packers for ease of fabrication and feature end-caps which provide a neat finish
- Achieves PAS24 enhanced security standard without the need for additional security plates
- Through-fixing holes with optional covers
- Centre-line to ease lock alignment
- Fully adjustable with 4mm Allen key
- Clip-in dust pockets
- 11mm and 13mm eurogroove positions
- 2 lengths
- Handed



### TWIST 'N' CLIP PACKERS



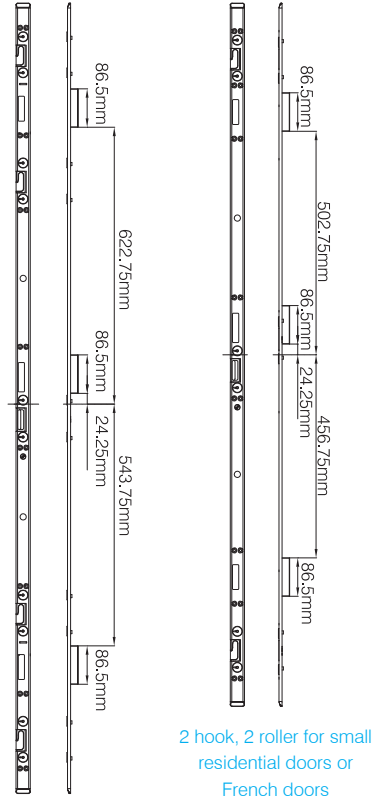
1  
Place packer into 'C' shaped channel

2  
then twist...

3  
...and clip into place

From  
PAGE  
281

## TECHNICAL DRAWINGS



## PART NUMBERS

Description	To Suit Lock	Eurogroove (mm)	Length (mm)	Right Hand	Left Hand
ProSecure One Piece Striker	2 Hook 2 Roller	11	1560	425014B	425015B
ProSecure One Piece Striker	2 Hook 2 Roller	13	1560	425020B	425021B
ProSecure One Piece Striker	2 Hook 4 Roller	11	1560	425024B	425025B
ProSecure One Piece Striker	2 Hook 4 Roller	13	1560	425030B	425031B
ProSecure One Piece Striker	2 hook 4 Roller	11	1756	425034B	425035B
ProSecure One Piece Striker	2 hook 4 Roller	13	1756	425040B	425041B

# One Piece Striker



Door  
Locks



## PRODUCT INFORMATION

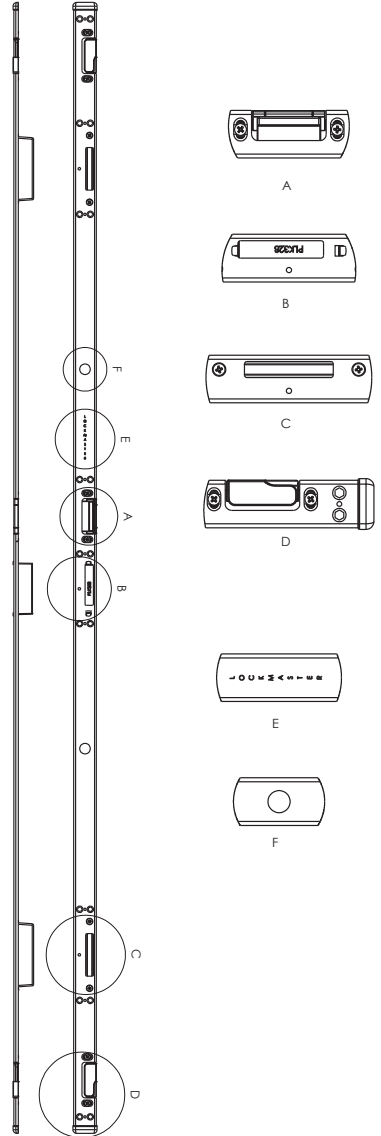


- Adjustable one piece striker
- Combined multipoint lock receiving points on one striker
- Easy to fit
- Corrosion resistance to EN1670:20 Grade 4
- Lock specific - works in conjunction with LockMaster profile related packers
- Please contact the Mila sales team for part numbers

## GUARANTEE



## TECHNICAL DRAWINGS

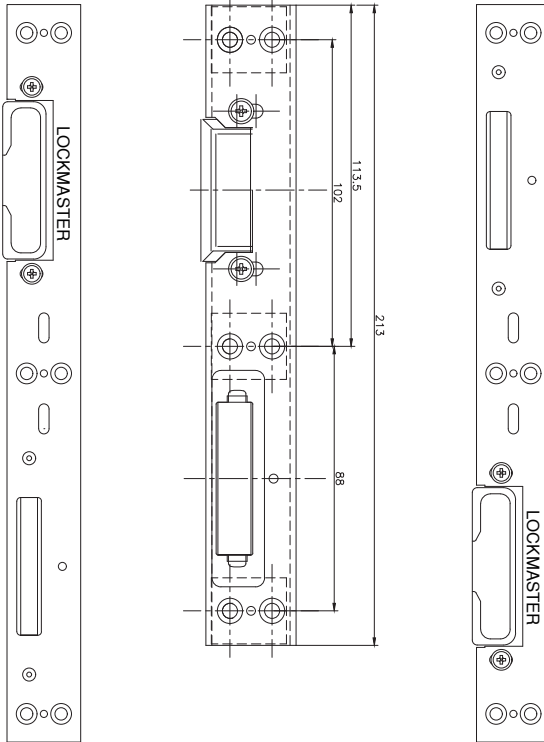




# 3 Piece Striker Range



## PRODUCT INFORMATION



- Centre latch and deadbolt striker with fully adjustable centre latch plate for compression
- Combined hook and roller keeps to suit Yale multipoint locks
- Steel pressing and laminated plates for extra strength
- Corrosion resistance to EN1670:2007 Grade 4

## PART NUMBERS

Description	Universal	Left Hand	Right Hand
2 hook 2 roller striker	420329P	-	-
Centre striker	-	420310	420315
2 hook 4 roller striker	-	P420358	P420359

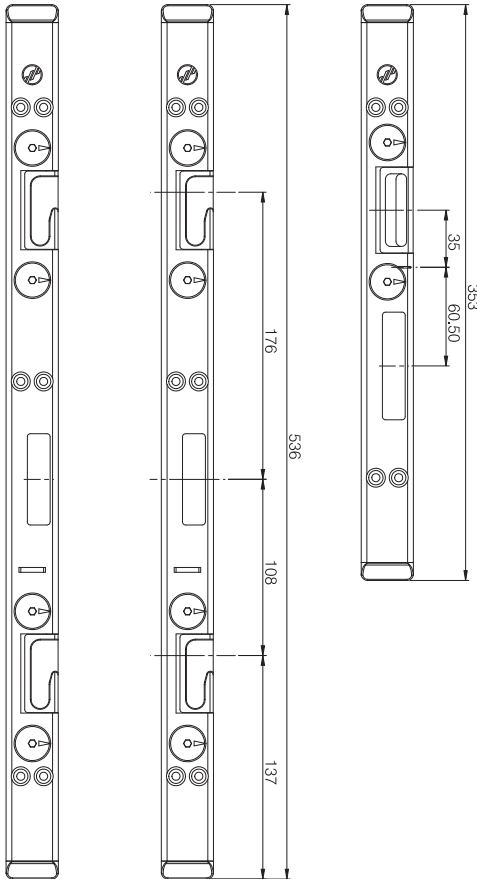
## GUARANTEE



# ProSecure 3 Piece Striker Range



## PRODUCT INFORMATION



- ProSecure steel three-piece strikers are strong, fast-to-fit, utilise captive twist 'n' clip profile related packers for ease of fabrication and feature end-caps which provide a neat finish
- Achieves PAS24 enhanced security standard without the need for additional security plates
- Centre-line to ease lock alignment
- Fully adjustable with 4mm Allen key
- Clip-in dust pockets
- 11mm and 13mm eurogroove positions
- Handed

From  
PAGE  
281

### TWIST 'N' CLIP PACKERS



1 Place packer into 'C' shaped channel

2 then twist...

3 ...and clip into place

## PART NUMBERS

Description	Part Numbers Right Hand	Part Numbers Left Hand
2 hook 2 roller striker 11 mm	425114	425115
2 hook 2 roller striker 13mm	425120	425121
2 Hook 4 roller striker 11mm	425124	425125
2 Hook 4 roller striker 13mm	425130	425131

## GUARANTEE





Contact our sales team for advice on locks, strikers & profile related packers

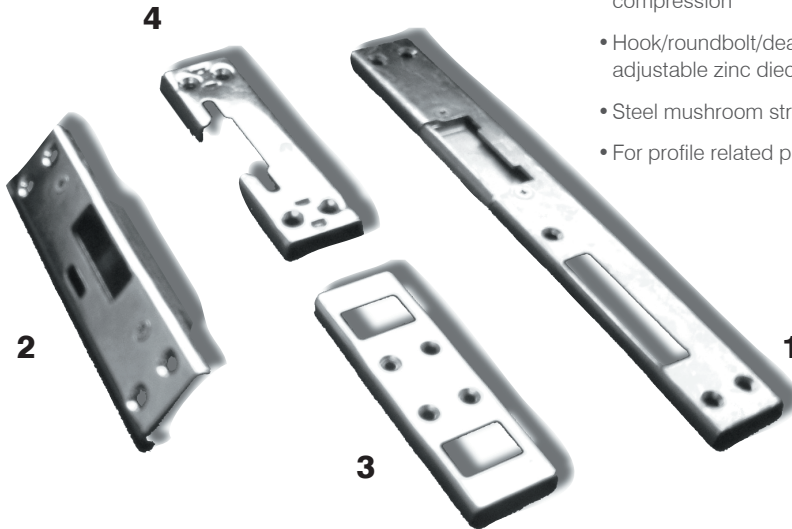
T. 01327 312 400 E. [sales@mila.co.uk](mailto:sales@mila.co.uk)



# Universal Striker Range



## PRODUCT INFORMATION



- Handed centre latch & deadbolt strikers with fully adjustable centre latch plate for compression
- Hook/roundbolt/deadbolt strikers with adjustable zinc diecast back box
- Steel mushroom strikers
- For profile related packers see page 281

## GUARANTEES



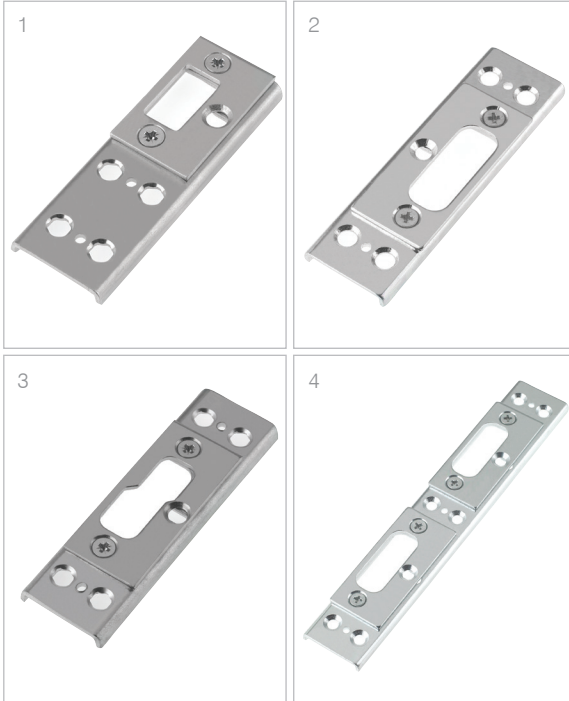
## PART NUMBERS

Striker Description	Type	Part Number
Universal Centre Latch Striker (no. 1)	RH	420001C
Universal Centre Latch Striker (no. 1)	LH	420007C
Hook/Roundbolt/Deadbolt Striker (no. 2)	Back box	420031CS
Universal Shootbolt Striker (no. 3)	-	420089
Universal Mushroom Striker (no. 4)	-	420042



# Universal Shootbolt Striker Range

## PRODUCT INFORMATION



- Universal shootbolt strikers
- Profile related packers listed from page 281

## PART NUMBERS

Striker Description	Type	Part Number
Single Adjustable S/bolt Striker Set For Residential Doors (1)	without zinc box	420341
Single Adjustable S/bolt Striker Set For Residential Doors	with zinc box	420387
Single Adjustable S/bolt Striker (Single) For French Doors (2)	without zinc box	420345
Single Adjustable S/bolt Striker (Single) For French Doors	with zinc box	420386
Single Adjustable S/bolt Striker Set For Staggered French Doors (3)	without zinc box	420343
Double Adjustable S/bolt Striker (Single) For French Doors (4)	without zinc box	420347
Double Adjustable S/bolt Striker (Single) For French Doors	with zinc box	420388
Double Adjustable S/bolt Striker (Single) For French Doors High Security	with zinc box	A420394

# High Security Striker Range



Door  
Locks



## PRODUCT INFORMATION



- High security striker to meet the requirements of PAS24: 2016
- Centre latch and deadbolt striker with fully adjustable centre latch plate for compression
- Combined hook and roller keeps to suit Yale multipoint locks
- Steel pressing and laminated plates for extra strength
- Corrosion resistance to EN1670:2007 Grade 4
- Profile related packers listed from page 316

## GUARANTEES



## PART NUMBERS

Description	Right Hand	Left Hand
2 hook 2 roller striker	420255	420254
2 hook 4 roller striker	420333	420334