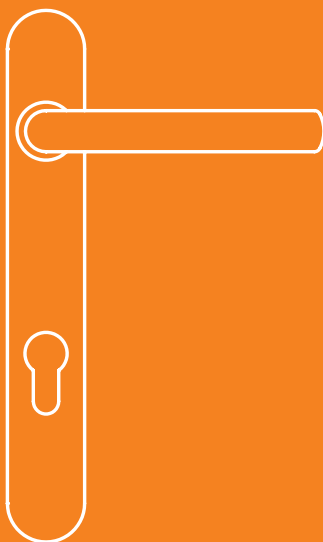


Door Handles





Choosing Your Door Handle

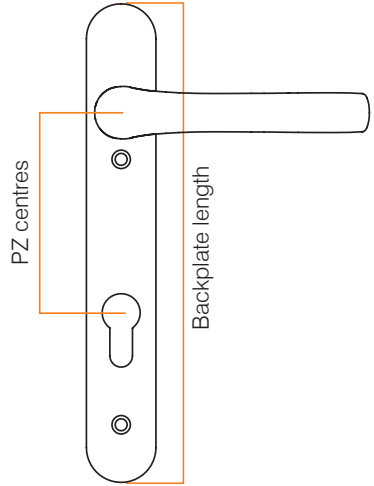
IDENTIFICATION

1. Identify the PZ

Measure the distance from the centre of the handle spindle hole to the centre of the cylinder.

The most common PZ size is 92mm.

However, PZ sizes can vary, depending on lock manufacturer and lock function i.e. twin spindle locks.



2. Identify the Length of the Backplate

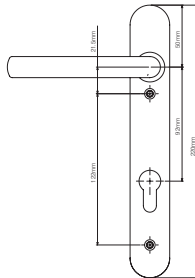
The multipoint locking system you use will dictate the size and type of door handle fitted.

Measure the lockcase and select a handle which screw fixings secure either through the lock or on either side of the lockcase. If you have an existing handle available measure the overall length of the backplate and note the position and number of screw fixings.

There are two standard variants of Mila door handles:

220mm Backplate:

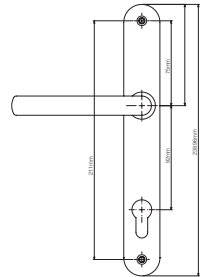
Two screw fix backplates. Lever/lever versions can be used with most standard PZ92 multipoint door locks. Lever/pad versions can be used with Mila ProSecure door locks or other split spindle locks.



220mm

240mm Backplate:

Two screw fix backplate, most commonly used with Mila locks and Yale door locks.



240mm

Door Handle Selection Guide

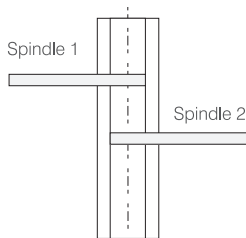


3. Identify the Type of Handle

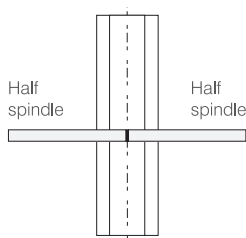
There are two main types of door handle:

Lever/Lever: Lever handle internally and externally, generally for use with standard multipoint door locks. Mila lever/lever handles are usually PZ 92.

Lever/Pad: Lever handle internally and moveable pad handle externally, generally used with twin single or split spindle door locks (see diagrams below).



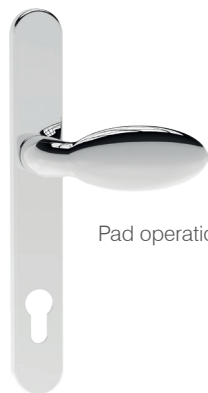
Twin spindle operation



Split spindle operation



Lever operation



Pad operation

Ensure that the PZ distance for the pad handles match that of your door lock. Mila lever/pad handles are PZ 92/62 or PZ 92/92.

4. Select the Handle Finish Required:

Mila door handles can be supplied in a range of attractive finishes including:



Polished Gold



Polished Chrome



Smokey Chrome



Smooth Satin Chrome



White



Black



Anodised Gold (F3)



Anodised Silver (F1)



Brushed Stainless



Brushed Gold Stainless



Polished Stainless



Heritage Pewter



At a Glance Product Matrix

| | Page | PZ92/62 Centre | PZ92 Centre | Smart Technology Operation |
|---|------|----------------|-------------|----------------------------|
| iDeal Door Handle | 93 | | | ✓ |
| ProLinea Door Handle | 95 | | | ✓ |
| ProLinea PZ 92/62 Door Handle | 97 | | ✓ | |
| ProStyle round lever | 99 | | | ✓ |
| ProStyle swept lever | 101 | | | ✓ |
| ProStyle oval lever | 103 | | | ✓ |
| ProStyle Door Handle heritage finishes | 105 | | | ✓ |
| ProLinea Infirm Door Handle | 107 | | | ✓ |
| SUPA™ Stainless Steel Door Handle | 109 | | | ✓ |
| ProSecure Door Handle | 111 | | | ✓ |
| SUPASecure™ Stainless Steel Door Handle | 113 | | | ✓ |
| SUPA™ Inline Pull Bar | 115 | | | |
| SUPA™ Offset Pull Bar | 117 | | | |
| SUPA™ D Pull Bar | 119 | | | |
| SUPA™ V Pull Bar | 120 | | | |
| SUPA™ Bow Pull Bar | 121 | | | |
| SUPA™ Door Knob | 122 | | | |
| Yale Conexis | 123 | | | ✓ ✓ |



| | | | | | | | | | | | | | | | | | | | |
|--------------------------------------|---|---|---|---|---|---|---|---|---|---|---|---|---|---|---|---|---|---|---|
| Finish Polished Chrome | ✔ | ✔ | ✔ | ✔ | ✔ | ✔ | ✔ | ✔ | ✔ | ✔ | ✔ | ✔ | ✔ | ✔ | ✔ | ✔ | ✔ | ✔ | ✔ |
| Finish Polished Gold | ✔ | ✔ | ✔ | ✔ | ✔ | ✔ | ✔ | ✔ | ✔ | ✔ | ✔ | ✔ | ✔ | ✔ | ✔ | ✔ | ✔ | ✔ | ✔ |
| Finish Smokey Chrome | ✔ | ✔ | ✔ | ✔ | ✔ | ✔ | ✔ | ✔ | ✔ | ✔ | ✔ | ✔ | ✔ | ✔ | ✔ | ✔ | ✔ | ✔ | ✔ |
| Finish Smooth Satin Chrome | ✔ | ✔ | ✔ | ✔ | ✔ | ✔ | ✔ | ✔ | ✔ | ✔ | ✔ | ✔ | ✔ | ✔ | ✔ | ✔ | ✔ | ✔ | ✔ |
| Finish White | ✔ | ✔ | ✔ | ✔ | ✔ | ✔ | ✔ | ✔ | ✔ | ✔ | ✔ | ✔ | ✔ | ✔ | ✔ | ✔ | ✔ | ✔ | ✔ |
| Finish Black | ✔ | ✔ | ✔ | ✔ | ✔ | ✔ | ✔ | ✔ | ✔ | ✔ | ✔ | ✔ | ✔ | ✔ | ✔ | ✔ | ✔ | ✔ | ✔ |
| Finish Anodised Gold (F3) | ✔ | ✔ | ✔ | ✔ | ✔ | ✔ | ✔ | ✔ | ✔ | ✔ | ✔ | ✔ | ✔ | ✔ | ✔ | ✔ | ✔ | ✔ | ✔ |
| Finish Anodised Silver (F1) | ✔ | ✔ | ✔ | ✔ | ✔ | ✔ | ✔ | ✔ | ✔ | ✔ | ✔ | ✔ | ✔ | ✔ | ✔ | ✔ | ✔ | ✔ | ✔ |
| Finish Heritage Pewter | | | | | | | | | ✔ | | | | | | | | | | |
| Finish Brushed Stainless Steel | | | | | | | | | | ✔ | | | | | | | | | |
| Finish Polished Stainless Steel | | | | | | | | | | | ✔ | | | | | | | | |
| Finish Polished Gold Stainless Steel | | | | | | | | | | | | ✔ | | | | | | | |
| Finish Duo Stainless Steel | | | | | | | | | | | | | | | | | | | ✔ |
| Finish Duo Gold Stainless Steel | | | | | | | | | | | | | | | | | | | ✔ |
| Guarantee 25 Year Surface Finish | | | | | | | | | | | | ✔ | | | | | | | ✔ |
| Guarantee 10 Year Surface Finish | ✔ | ✔ | ✔ | ✔ | ✔ | ✔ | ✔ | ✔ | ✔ | ✔ | ✔ | ✔ | ✔ | ✔ | ✔ | ✔ | ✔ | ✔ | ✔ |
| Guarantee 5 Year Surface Finish | ✔ | ✔ | ✔ | ✔ | ✔ | ✔ | ✔ | ✔ | ✔ | ✔ | ✔ | ✔ | ✔ | ✔ | ✔ | ✔ | ✔ | ✔ | ✔ |
| Guarantee 25 Year Mechanical | | | | | | | | | | | | | | | | | | | ✔ |
| Guarantee 10 Year Mechanical | ✔ | ✔ | ✔ | ✔ | ✔ | ✔ | ✔ | ✔ | ✔ | ✔ | ✔ | ✔ | ✔ | ✔ | ✔ | ✔ | ✔ | ✔ | ✔ |
| Guarantee 5 Year Mechanical | ✔ | ✔ | ✔ | ✔ | ✔ | ✔ | ✔ | ✔ | ✔ | ✔ | ✔ | ✔ | ✔ | ✔ | ✔ | ✔ | ✔ | ✔ | ✔ |
| Accreditation Secured by Design | | | | | | | | | | | | ✔ | ✔ | | | | | | ✔ |
| Operation Lever/ Lever | ✔ | ✔ | | ✔ | ✔ | ✔ | ✔ | ✔ | ✔ | ✔ | ✔ | ✔ | ✔ | ✔ | ✔ | ✔ | ✔ | ✔ | ✔ |
| Operation Lever/Pad n | | | ✔ | | | | | | | | | | | | | | | | ✔ |
| Operation Infirm Lever | | | | | | | | | | | ✔ | | | | | | | | ✔ |
| Operation Pull-to-Open | | | | | | | | | | | | ✔ | ✔ | ✔ | ✔ | ✔ | ✔ | ✔ | ✔ |



iDeal Door Handle

PRODUCT INFORMATION



- Residential door handle
- Manufactured from aluminium
- 220mm backplate, PZ 92
- Lever/lever design
- Suits both left and right handed doors
- Fixing screws & spindle supplied
- Available in 4 finishes - white, black, anodised gold (F3) & anodised silver (F1)
- Simple to fit

GUARANTEES



FINISHES



White



Black



Anodised Gold (F3)

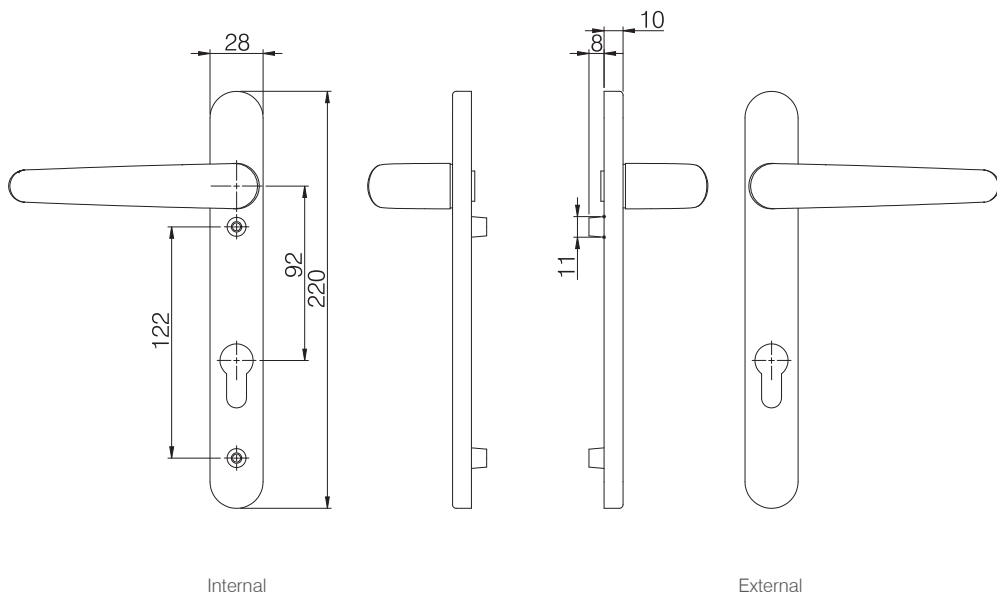


Anodised Silver (F1)

iDeal Door Handle



TECHNICAL DRAWINGS



PART NUMBERS

| Description | Type | White | Black | Anodised Gold F3 | Anodised Silver F1 |
|-------------------|-------------------|--------|--------|---------------------|-----------------------|
| iDeal Door Handle | Lever/lever, PZ92 | 050108 | 050107 | 050103 | 050100 |



ProLinea Door Handle

PZ92

PRODUCT INFORMATION



2 Lever Options
Universal lever/lever
& lever/pad options
with ergonomic finger
grips

- Residential door handle
- Manufactured from aluminium (painted and anodised - F1 & F3 finishes) or zinc (plated finishes)
- Backplate available in both 220mm and 240mm to suit most locking systems
- PZ 92
- Backplate features an integrated spring mechanism to ensure that lever returns consistently to 90°, avoiding any 'handle sag' and for ease of fabrication
- Suitable for use with sprung and unsprung door locks
- Rotate lever 180° to suit both left and right handed doors
- Corrosion resistance - salt spray tested to 240 hours (plated finishes) and 480 hours (powder coated finishes)
- Operational reliability - UKAS tested to 50,000 cycles under load
- Fixing screws supplied

FINISHES



Polished Gold



Polished Chrome



Smoky Chrome



Smooth Satin
Chrome



White



Black



Gold F3



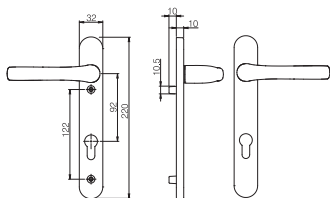
Silver F1

ProLinea Door Handle

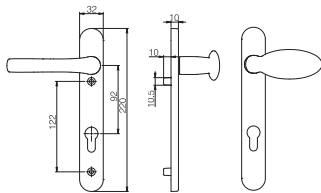
Door
Handles



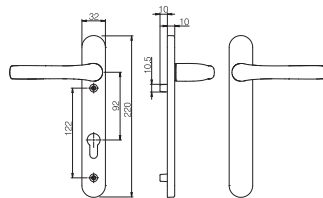
TECHNICAL DRAWINGS



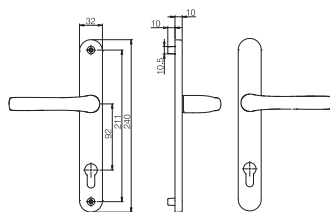
Lever/Lever, 220mm Backplate, PZ92



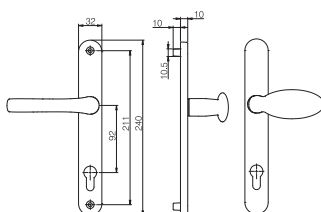
Lever/Pad, 220mm Backplate, PZ92



Lever/blind 220mm Backplate, PZ92



Lever/Lever, 240mm Backplate, PZ92



Lever/Pad, 240mm Backplate, PZ92

GUARANTEES



PART NUMBERS

| Description | Back-plate length | PZ | Silver F1 | Gold F3 | Polished Gold | Polished Chrome | Smooth Satin Chrome | Smokey Chrome | White | Black |
|---------------------|-------------------|----|-----------|---------|---------------|-----------------|---------------------|---------------|---------|---------|
| Lever/Lever | 220mm | 92 | 050300 | 050303 | 050304 | 050309 | 050302S | 050305 | 050308 | 050307 |
| Lever/Pad | 220mm | 92 | 050310 | 050313 | 050314 | 050319 | 050312S | 050315 | 050318 | 050317 |
| Lever/Lever (blind) | 220mm | 92 | 050340* | 050343* | 050344* | 050349* | 050342S* | 050345* | 050348* | 050347* |
| Lever/Lever | 240mm | 92 | 050420 | 050423 | 050424 | 050409 | 050412S | 050415 | 050428 | 050427 |
| Lever/Pad | 240mm | 92 | 050430 | 050433 | 050434 | 050439 | 050432S | 050435* | 050438 | 050437 |

*Special order



ProLinea Door Handle

PZ 92/62

PRODUCT INFORMATION



2 Lever Options
Universal lever/lever
& lever/pad options
with ergonomic finger
grips

- Residential door handle
- Manufactured from aluminium (painted and anodised - F1 & F3 finishes) or zinc (plated finishes)
- 240mm backplate to suit most locking systems
- PZ 92/62
- Backplate features an integrated spring mechanism to ensure that lever returns consistently to 90°, avoiding any 'handle sag' and for ease of fabrication
- Suitable for use with sprung and unprung door locks
- Rotate lever 180° to suit both left and right handed doors
- Corrosion resistance - salt spray tested to 240 hours (plated finishes) and 480 hours (powder coated finishes)
- Operational reliability - UKAS tested to 50,000 cycles under load
- Fixing screws supplied

FINISHES



Polished Gold



Polished Chrome



Smokey Chrome



Smooth Satin
Chrome



White



Black



Gold F3



Silver F1

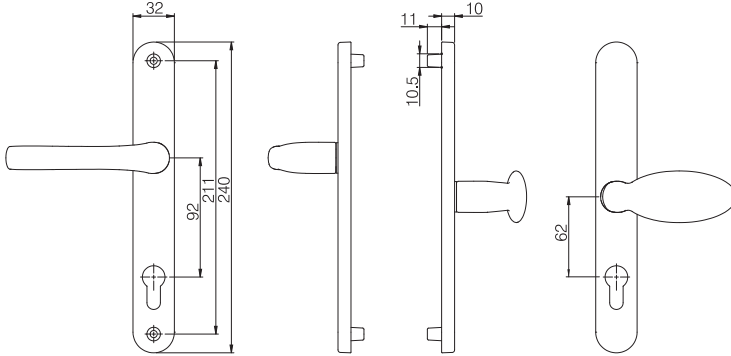
ProLinea Door Handle

PZ 92/62

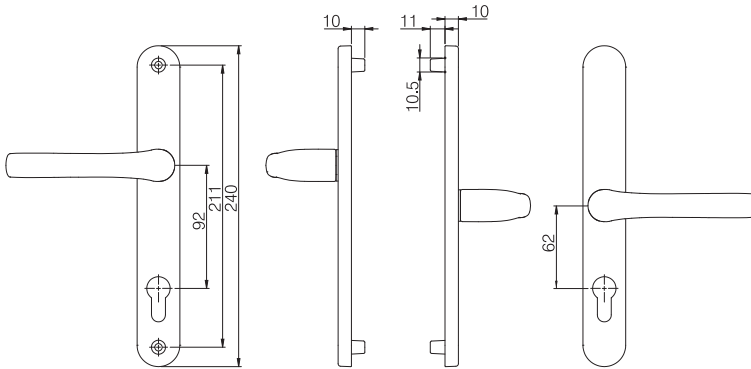
Door
Handles



TECHNICAL DRAWINGS



Lever/pad, 240mm backplate, PZ 92/62



Lever/lever, 240mm backplate, PZ 92/62

GUARANTEES



PART NUMBERS

| Description | Backplate length | PZ | Silver F1 | Gold F3 | Polished Gold | Polished Chrome | Smooth Satin Chrome | Smokey Chrome | White | Black |
|-------------|------------------|-------|-----------|---------|---------------|-----------------|---------------------|---------------|--------|--------|
| Lever/Lever | 240mm | 92/62 | 050440 | 050443 | 050444 | 050449 | 050442S | 050445 | 050448 | 050447 |
| Lever/Pad | 240mm | 92/62 | 050450 | 050453 | 050454 | 050459 | 050452S | 050455 | 050458 | 050457 |



ProStyle Door Handle

Round Lever

PRODUCT INFORMATION



- Residential door handle
- Contemporary shaped lever
- Lever is separate to the backplate
- Suitable for left and right handed doors
- Backplate available in 220mm and 240mm
- Backplate features an integrated spring mechanism to ensure that lever returns consistently to 90° avoiding any 'handle sag' and for ease of fabrication
- Two spindles supplied to suit all door thicknesses
- Manufactured from zinc
- Three fixing screws supplied
- Operational reliability - achieved 50,000 cycles under load
- Design registered
- Suites with Mila ProStyle letterplate

FINISHES



Polished Gold



Polished Chrome



Smokey Chrome



Smooth Satin
Chrome



White



Black

ProStyle Door Handle

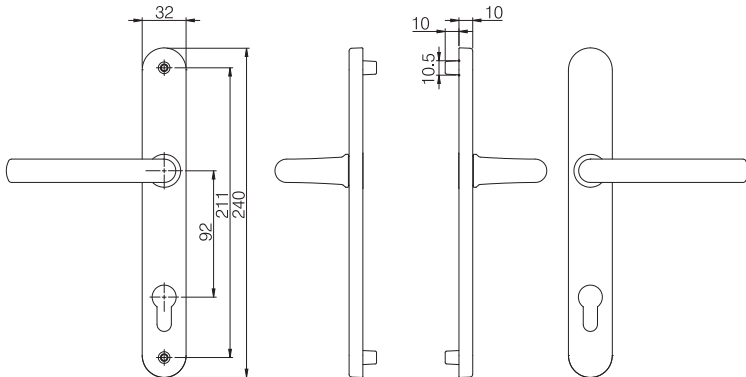
Round Lever

Door
Handles

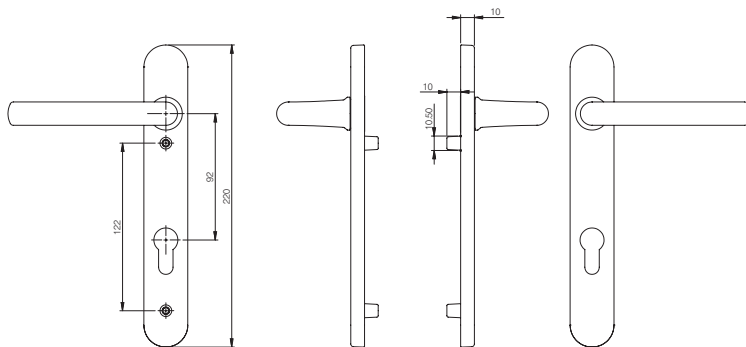


TECHNICAL DRAWINGS

GUARANTEES



240mm Backplate, PZ92



220mm Backplate, PZ92

PART NUMBERS

| Description | PZ | Backplate Length | Polished Gold | Polished Chrome | Smooth Satin Chrome | Smokey Chrome | White | Black |
|----------------------|----|------------------|---------------|-----------------|---------------------|---------------|--------|--------|
| ProStyle Lever Round | - | - | 050814 | 050811 | 050812S | 050815 | 050818 | 050817 |
| ProStyle Backplate | 92 | 220mm | 050864 | 050861 | 050862S | 050865 | 050868 | 050867 |
| ProStyle Backplate | 92 | 240mm | 050884 | 050881 | 050882S | 050885 | 050888 | 050887 |



ProStyle Door Handle

Swept Lever

PRODUCT INFORMATION



- Residential door handle
- Contemporary shaped lever
- Lever is separate to the backplate
- Suitable for left and right handed doors
- Backplate available in 220mm and 240mm
- Backplate features an integrated spring mechanism to ensure that lever returns consistently to 90°, avoiding any 'handle sag' and for ease of fabrication
- Two spindles supplied to suit all door thicknesses
- Manufactured from zinc
- Three fixing screws supplied
- Operational reliability - achieved 50,000 cycles under load
- Design registered
- Suites with Mila ProStyle letterboxes

FINISHES



Polished Gold



Polished Chrome



Smokey Chrome



Smooth Satin
Chrome



White



Black

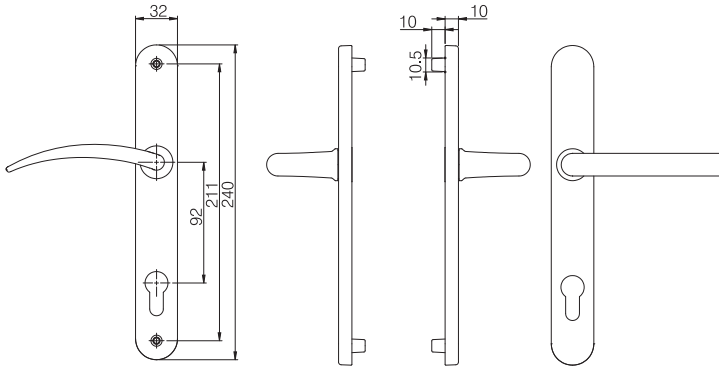
ProStyle Door Handle

Swept Lever

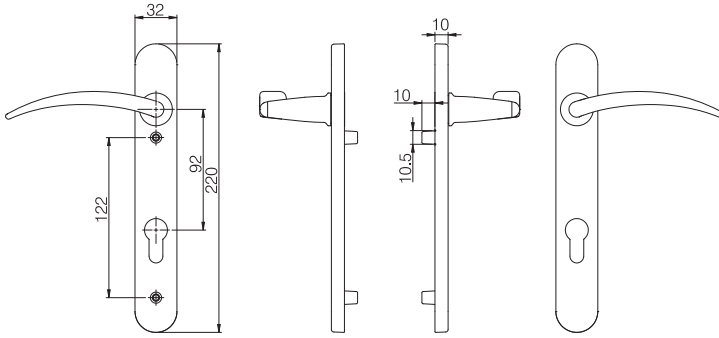
Door
Handles



TECHNICAL DRAWINGS



240mm Backplate, PZ92



220mm Backplate, PZ92

GUARANTEES



PART NUMBERS

| Description | PZ | Backplate Length | Polished Gold | Polished Chrome | Smooth Satin Chrome | Smokey Chrome | White | Black |
|----------------------|----|------------------|---------------|-----------------|---------------------|---------------|--------|--------|
| ProStyle Lever Swept | - | - | 050824 | 050821 | 050822S | 050825 | 050828 | 050827 |
| ProStyle Backplate | 92 | 220mm | 050864 | 050861 | 050862S | 050865 | 050868 | 050867 |
| ProStyle Backplate | 92 | 240mm | 050884 | 050881 | 050882S | 050885 | 050888 | 050887 |



ProStyle Door Handle

Oval Lever

PRODUCT INFORMATION



- Residential door handle
- Contemporary shaped lever
- Lever is separate to the backplate
- Suitable for left and right handed doors
- Backplate available in 220mm and 240mm
- Backplate features an integrated spring mechanism to ensure that lever returns consistently to 90°, avoiding any 'handle sag' and for ease of fabrication
- Two spindles supplied to suit all door thicknesses
- Manufactured from zinc
- Three fixing screws supplied
- Operational reliability - achieved 50,000 cycles under load
- Design registered
- Suites with Mila ProStyle letterboxes

FINISHES



Polished Gold



Polished Chrome



Smokey Chrome



Smooth Satin
Chrome



White



Black

ProStyle Door Handle

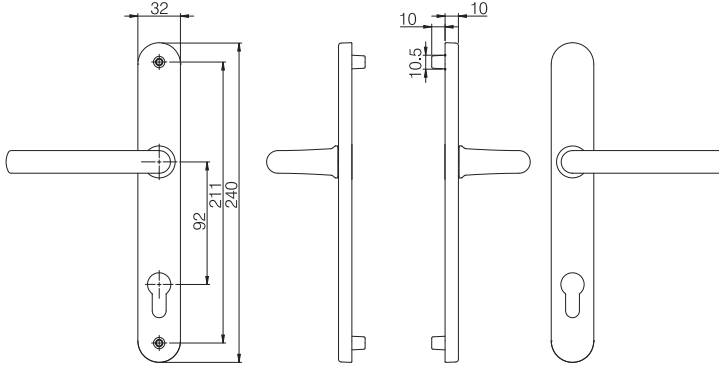
Oval Lever

Door
Handles

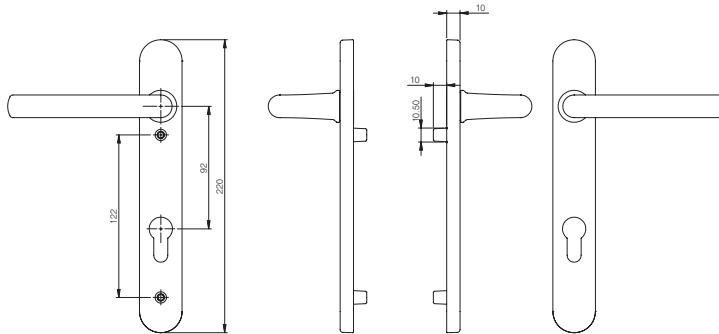


TECHNICAL DRAWINGS

GUARANTEES



240mm Backplate, PZ92



220mm Backplate, PZ92

PART NUMBERS

| Description | PZ | Backplate Length | Polished Gold | Polished Chrome | Smooth Satin Chrome | Smokey Chrome | White | Black |
|---------------------|----|------------------|---------------|-----------------|---------------------|---------------|--------|--------|
| ProStyle Lever Oval | - | - | 050804 | 050801 | 050802S | 050805 | 050808 | 050807 |
| ProStyle Backplate | 92 | 220mm | 050864 | 050861 | 050862S | 050865 | 050868 | 050867 |
| ProStyle Backplate | 92 | 240mm | 050884 | 050881 | 050882S | 050885 | 050888 | 050887 |



ProStyle Door Handles

Traditional Heritage Finishes

PRODUCT INFORMATION



- Residential door handle
- 2 new traditional finishes - Heritage black and Heritage Pewter
- Lever is separate to the backplate
- Suitable for left and right handed doors
- Backplate available in 220mm and 240mm
- Backplate features an integrated spring mechanism to ensure that lever returns consistently to 90°, avoiding any 'handle sag' and for ease of fabrication
- Two spindles supplied to suit all door thicknesses
- Manufactured from zinc
- Three fixing screws supplied
- Operational reliability - achieved 50,000 cycles under load
- Design registered
- Suites with Mila ProStyle heritage letterboxes, knockers, numerals and window handles all in Heritage finishes

FINISHES



Heritage Black
Round Lever



Heritage Pewter
Round Lever



Heritage Black
Swept Lever



Heritage Pewter
Swept Lever



Heritage Black
Oval Lever



Heritage Pewter
Oval Lever

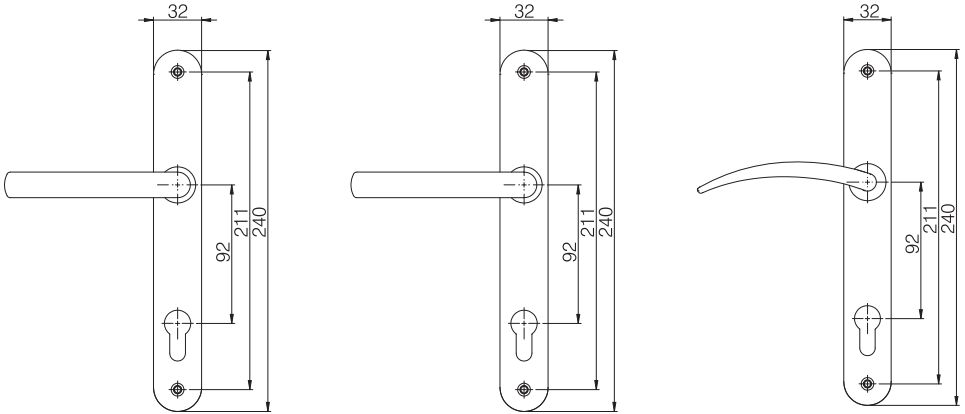
ProStyle Door Handle

Traditional Heritage Finishes

Door
Handles



TECHNICAL DRAWINGS



Full full technical drawing specifications please see pages;

ProStyle handle with round lever p. 100

ProStyle handle with swept lever p. 102

ProStyle handle with oval lever p. 104

GUARANTEES



PART NUMBERS

| Description | PZ | Backplate Length | Heritage Black | Heritage Pewter |
|----------------------|----|------------------|----------------|-----------------|
| ProStyle Lever Round | - | - | 050816 | 050810 |
| ProStyle Lever Swept | - | - | 050826 | 050820 |
| ProStyle Lever Oval | - | - | 050806 | 050800 |
| ProStyle Backplate | 92 | 220mm | 050866 | 050860 |
| ProStyle Backplate | 92 | 240mm | 050886 | 050880 |



ProLinea Infirm Door Handle

PRODUCT INFORMATION



Easy-grip lever which is extra long and curved at the end for ease of use



- Specially designed lever for the elderly and infirm
- Manufactured from zinc
- Suitable for left and right handed doors

- Backplate available in 220mm and 240mm
- Backplate features an integrated spring mechanism to ensure that lever returns consistently to 90° to prevent 'handle sag' and for ease of fabrication
- 2 spindles supplied as standard to suit all door thicknesses
- Fixing screws supplied as standard
- Operational reliability - independently tested 50,000 cycles under load
- Meets the requirements of Approved Document M and the Lifetime Homes initiative
- Security version also available

PART NUMBERS

| Description | PZ | Backplate | White |
|--------------|----|-----------|--------|
| Infirm Lever | - | - | 050838 |
| Backplate | 92 | 220mm | 050868 |
| Backplate | 92 | 240mm | 050888 |

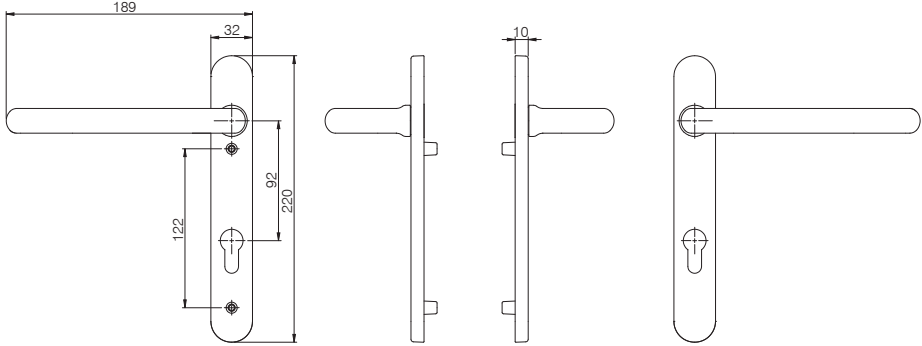
GUARANTEES



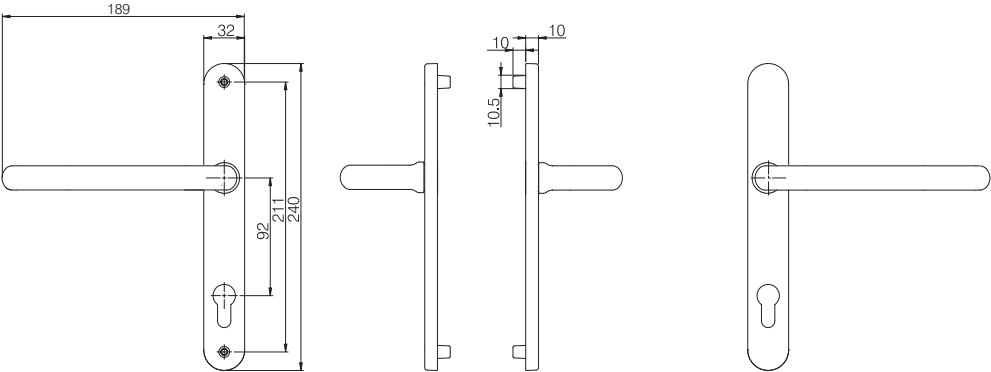
ProLinea Infirm Door Handle



TECHNICAL DRAWINGS



220mm backplate, PZ 92



240mm backplate, PZ 92



Supa™ Door Handle

Stainless Steel

PRODUCT INFORMATION



Clip-on Cover
for the internal
backplate, conceals
screws

Universal
Lever/pad option
available



- The Supa™ door handle range is part of Mila's standard stainless steel range
- Stainless steel grade 304 as standard. Option of grade 316 marine grade stainless steel, suitable for coastal regions & areas of high pollution
- Corrosion resistance - independently tested to 1000 hours salt spray
- Backplate features a self-fit captive spring mechanism to ensure that the lever returns consistently to 90° avoiding any 'handle sag'
- Suitable for use with sprung and unprung door locks
- Operational reliability - achieved 50,000 cycles under load
- Suits both left and right handed doors

GUARANTEES



FINISHES



Brushed Stainless



Polished Stainless



Polished Gold Stainless

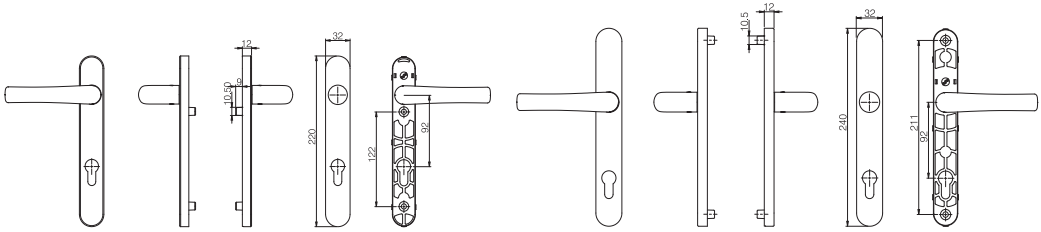
Supa™ Door Handle

Stainless Steel

Door
Handles



TECHNICAL DRAWINGS



Lever/Lever, 220mm Backplate, PZ92

Lever/Lever, 240mm Backplate, PZ92

PART NUMBERS

| Description | Backplate Length | PZ | Stainless Steel grade | Brushed Stainless | Polished Stainless | Polished Gold Stainless |
|---------------------------|------------------|-------|-----------------------|-------------------|--------------------|-------------------------|
| Supa Standard Lever/Lever | 220mm | 92 | Int. 304/ Ext. 304 | 570301 | 570302 | 570304 |
| Supa Standard Lever/Lever | 220mm | 92 | Int. 304/ Ext. 316 | 571301 | 571302 | 571304 |
| Supa Standard Lever/Pad | 220mm | 92 | Int. 304/ Ext. 304 | 570311 | 570312 | 570314 |
| Supa Standard Lever/Pad | 220mm | 92 | Int. 304/ Ext. 316 | 571311 | 571312 | 571314 |
| Supa Standard Lever/Blank | 220mm | 92 | Int. 304/ Ext. 304 | 570361 | 570362 | 570364 |
| Supa Standard Lever/Blank | 220mm | 92 | Int. 304/ Ext. 316 | 571361* | 571362* | 571364* |
| Supa Standard Lever/Blind | 220mm | 92/0 | Int. 304/ Ext. 304 | 570341 | 570342 | 570344 |
| Supa Standard Lever/Blind | 220mm | 92/0 | Int. 304/ Ext. 316 | 571341* | 571342* | 571344* |
| Supa Standard Lever/Lever | 240mm | 92 | Int. 304/ Ext. 304 | 570401 | 570402 | 570404 |
| Supa Standard Lever/Lever | 240mm | 92 | Int. 304/ Ext. 316 | 571401 | 571402 | 571404 |
| Supa Standard Lever/Lever | 240mm | 92/62 | Int. 304/ Ext. 304 | 570441 | 570442 | 570444 |
| Supa Standard Lever/Lever | 240mm | 92/62 | Int. 304/ Ext. 316 | 571441 | 571442 | 571444 |
| Supa Standard Lever/Pad | 240mm | 92 | Int. 304/ Ext. 304 | 570431 | 570432 | 570434 |
| Supa Standard Lever/Pad | 240mm | 92 | Int. 304/ Ext. 316 | 571431 | 571432 | 571434 |
| Supa Standard Lever/Pad | 240mm | 92/62 | Int. 304/ Ext. 304 | 570451 | 570452 | 570454 |
| Supa Standard Lever/Pad | 240mm | 92/62 | Int. 304/ Ext. 316 | 571451 | 571452 | 571454 |
| Supa Standard Lever/Blank | 240mm | 92 | Int. 304/ Ext. 304 | 570461 | 570462 | 570464 |
| Supa Standard Lever/Blank | 240mm | 92 | Int. 304/ Ext. 316 | 571461* | 571462 | 571464* |
| Supa Standard Lever/Blind | 240mm | 92/0 | Int. 304/ Ext. 304 | 570471 | 570472 | 570474 |
| Supa Standard Lever/Blind | 240mm | 92/0 | Int. 304/ Ext. 316 | 571471* | 571472 | 571474* |

*Special order



ProSecure Door Handle

Enhanced Security



PRODUCT INFORMATION



2 Lever options
Universal lever/
lever & lever/pad
options

Community registered design:
1259998-0001
EU Patent: EP2580411B

Enhanced security door handle with a raft of intelligent design features:

- Anti-grip chamfered backplate shoulders provide mole-grip resistance
- Steel reinforcement technology concealed within the standard backplate provides anti-jemmy resistance
- Anti-drill rotating disc shields the cylinder face from attack, preventing a drill bit from penetrating the cylinder
- Anti-snap integrated cylinder guard, visible within the raised backplate design, encases the cylinder to protect it from attack - no need for an anti-snap cylinder
- Backplate features an integrated spring mechanism to ensure that lever returns consistently to 90° avoiding any 'handle sag' and for ease of fabrication
- Independently tested at Exova to the enhanced security standard PAS 024: 2016, TS007: 2014 and A1: 2015
- Durability and corrosion resistance tested to BSEN1906: grade 4
- Police Preferred Specification - Secured by Design accredited, SBD logo etched onto external backplate acts as a visual deterrent
- BSI 2 star Kitemark accredited - logo etched onto internal backplate for home-owner peace-of-mind
- Available in 220mm & 240mm backplate sizes
- Sold complete with three sizes of fixing screws & two spindles to fit all common door thicknesses

FINISHES



Polished Gold



Polished Chrome



Smokey Chrome



Smooth Satin
Chrome



White



Black

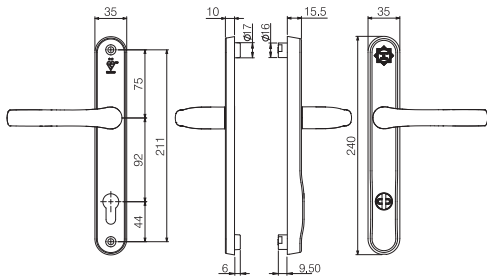
ProSecure Door Handle

Enhanced Security

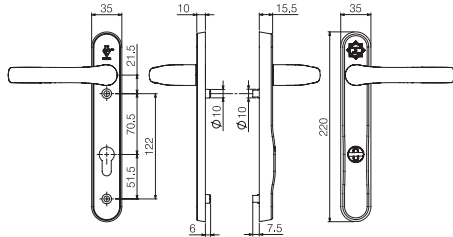
Door
Handles



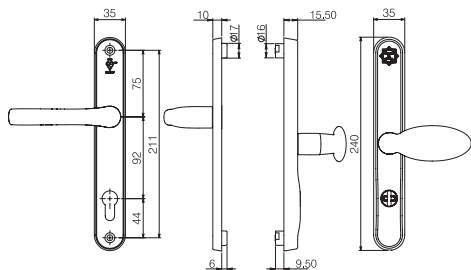
TECHNICAL DRAWINGS



240mm Backplate PZ 92



220mm Backplate PZ 92



240mm Backplate PZ 92/62

GUARANTEES



Police Preferred Specification



KMS35608

PART NUMBERS

| Description | PZ | Backplate Length | Polished Gold | Polished Chrome | Smokey Chrome | Smooth Satin Chrome | White | Black |
|-------------|-------|------------------|---------------|-----------------|---------------|---------------------|--------|--------|
| Lever/Lever | 92 | 220 mm | 050124 | 050121 | 050125 | 050122S | 050128 | 050127 |
| Lever/Lever | 92 | 240 mm | 050204 | 050201 | 050205 | 050202S | 050208 | 050207 |
| Lever/Lever | 92/62 | 240 mm | 050224 | 050221 | - | 050222S | 050228 | 050227 |
| Lever/Pad | 92 | 240 mm | 050214 | 050211 | - | 050212S | 050218 | 050217 |
| Lever/Pad | 92/62 | 240 mm | 050234 | 050231 | 0502325 | 050232S | 050238 | 050237 |

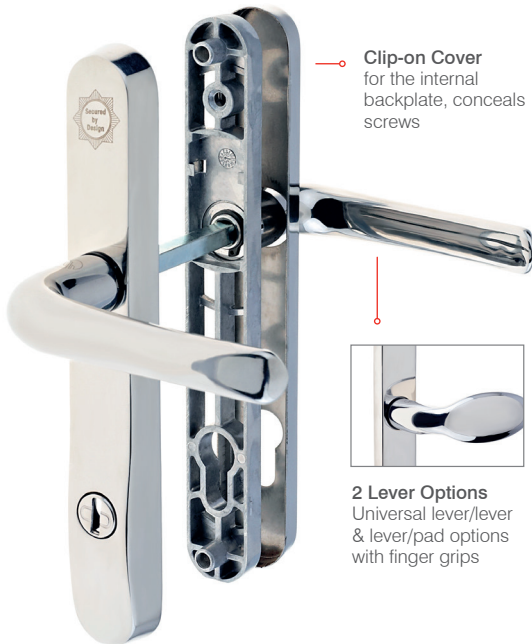


SupaSecure™ Door Handle



Enhanced Security, Stainless Steel

PRODUCT INFORMATION



Clip-on Cover
for the internal
backplate, conceals
screws



2 Lever Options
Universal lever/lever
& lever/pad options
with finger grips

The Supa™ Secure door handle is part of Mila's stainless steel range and has a raft of intelligent design features:

- Anti-grip chamfered backplate shoulders provide mole-grip resistance
- Cast steel backplate provides anti-jimmy resistance
- Anti-drill rotating disc shields the cylinder face from attack, preventing a drill bit from penetrating the cylinder
- Anti-snap integrated cylinder guard, visible within the raised backplate design, encases the cylinder to protect it from attack - no need for an anti-snap cylinder
- Stainless steel grade 304 as standard. Option of grade 316 marine grade stainless steel, suitable for coastal regions & areas of high pollution
- Independently tested at Exova to PAS 024: 2016, TS007: 2014 and A1: 2015
- Corrosion resistance - independently tested to 1000 hours salt spray (grade 316)
- Police Preferred Specification - Secured by Design accredited, SBD logo etched onto external backplate acts as a visual deterrent
- BSI 2 star Kitemark accredited - logo etched onto internal backplate for home-owner peace-of-mind
- To select the most suitable grade of stainless steel for your application please refer to our postcode finder on pages 393 - 400

FINISHES



Polished Gold Stainless



Polished Stainless



Brushed Stainless

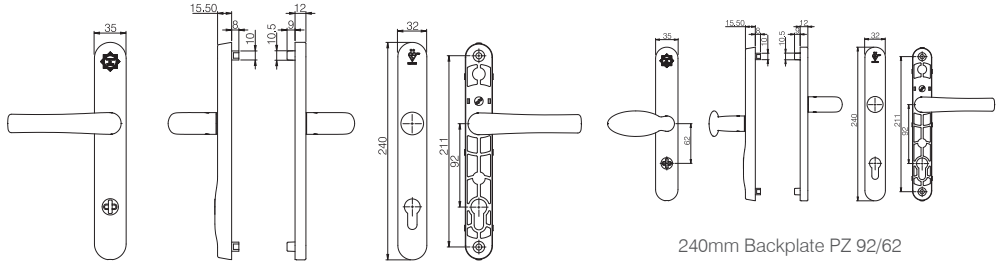
SupaSecure™ Door Handle

Enhanced Security, Stainless Steel

Door
Handles

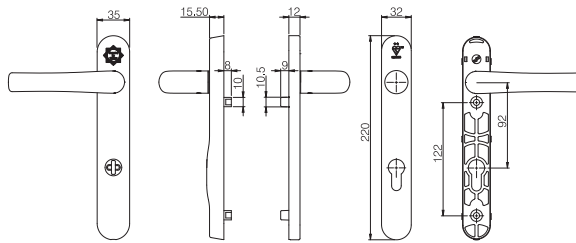


TECHNICAL DRAWINGS



240mm Backplate PZ 92

240mm Backplate PZ 92/62



220mm Backplate PZ 92

GUARANTEES



PART NUMBERS

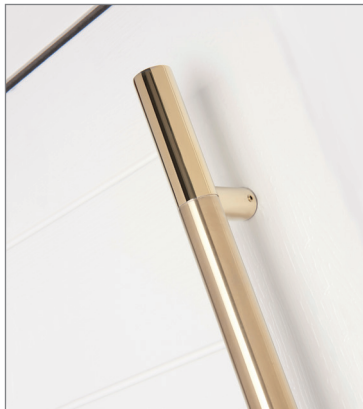
| Description | Backplate Length | PZ | Stainless Steel Grade | Polished Gold Stainless | Polished Stainless | Brushed Stainless |
|-------------------------|------------------|-------|-----------------------|-------------------------|--------------------|-------------------|
| SupaSecure™ Lever/Lever | 220mm | 92 | Int. 304/ Ext. 304 | 570124 | 570121 | 570122 |
| SupaSecure™ Lever/Lever | 220mm | 92 | Int. 304/ Ext. 316 | 571124* | 571121 | 571122* |
| SupaSecure™ Lever/Lever | 240mm | 92 | Int. 304/ Ext. 304 | 570204 | 570201 | 570202 |
| SupaSecure™ Lever/Lever | 240mm | 92 | Int. 304/ Ext. 316 | 571204 | 571201 | 571202 |
| Supa Secure™ LeverLever | 240mm | 92/62 | Int. 304/ Ext. 316 | 571224 | 571221 | 571222 |
| SupaSecure™ Lever/Lever | 240mm | 92/62 | Int. 304/ Ext. 304 | 570224 | 570221 | 570222 |
| SupaSecure™ Lever/Pad | 240mm | 92/62 | Int. 304/ Ext. 316 | 571234 | 571231 | 571232 |
| SupaSecure™ Lever/Pad | 240mm | 92/62 | Int. 304/ Ext. 304 | 570234 | 570231 | 570232 |



Supa™ Inline Pull Bar

Stainless Steel

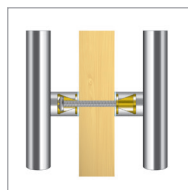
PRODUCT INFORMATION



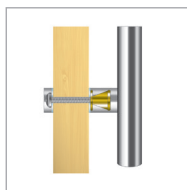
Supa™ is Mila's Stainless Steel product range.

- Inline pull bar - available in a range of lengths from 400mm to 1800mm
- 3 finishes - brushed stainless steel, duo stainless and duo gold stainless
- Duo finish options feature polished stainless steel ends combined with a brushed stainless steel centre. Intelligent design which looks stylish and conceals fingermarks
- Stainless steel grade 304 as standard. Option of grade 316 marine grade stainless steel, suitable for coastal regions & areas of high pollution
- Universal - suitable for both left and right handed doors
- Salt spray tested to 1000 hours for proven corrosion resistance (grade 316)
- 1 bar, 3 ways to fix it - through fix, concealed fix or back-to-back
- Suites with Mila's Supa™ Stainless Steel door furniture range
- To select the most suitable grade of stainless steel for your application please refer to our postcode finder on pages 393 - 400

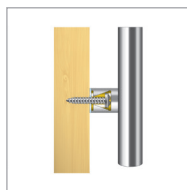
3 FIXING OPTIONS



Back to Back Fix



Through Fix



Concealed Fix

FINISHES



Brushed Stainless



Duo Stainless



Duo Gold



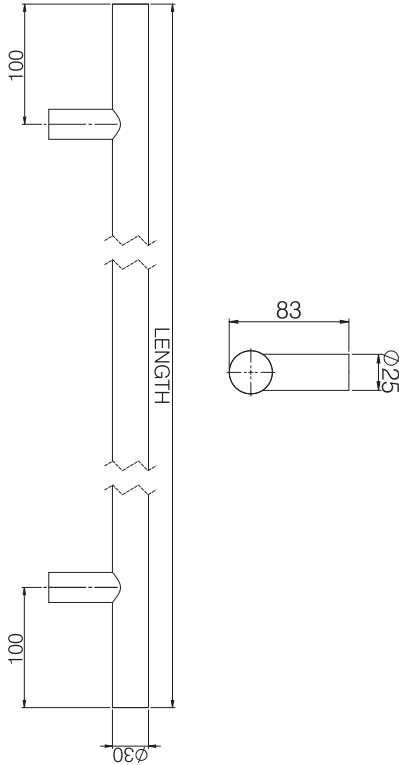
Supa™ Inline Pull Bar

Stainless Steel

Door
Handles



TECHNICAL DRAWINGS



GUARANTEES



SupaSecure™ Escutcheon

See page
311

- Stainless steel grade 304
- Anti-drill rotating disc shields the cylinder face from attack
- Anti-snap integrated cylinder guard encases the cylinder - removing need for an anti-snap cylinder
- Independently tested to the enhanced security requirements of PAS24: 2016
- Meets the requirements of Approved Document Q
- Secured by Design accredited
- TS007: 2014 and A1: 2015
- BSI 2 Star Kitemark accredited

PART NUMBERS

| Description | Type | Steel Grade | Bar Length (mm) | Fixings | Brushed Stainless | Duo Stainless | Duo Gold |
|----------------|--------|-------------|-----------------|---------|-------------------|---------------|----------|
| Supa™ Pull Bar | Inline | 304 | 400mm | 2 | 573102 | 573100 | 573103 |
| Supa™ Pull Bar | Inline | 304 | 600mm | 2 | 573112 | 573110 | 573113 |
| Supa™ Pull Bar | Inline | 304 | 800mm | 2 | 573122 | 573120 | 573123 |
| Supa™ Pull Bar | Inline | 304 | 1000mm | 2 | 573132 | 573130 | 573133 |
| Supa™ Pull Bar | Inline | 304 | 1200mm | 2 | 573142 | 573140 | 573143 |
| Supa™ Pull Bar | Inline | 304 | 1400mm | 3 | 573152 | - | - |
| Supa™ Pull Bar | Inline | 304 | 1600mm | 3 | 573162 | - | - |
| Supa™ Pull Bar | Inline | 304 | 1800mm | 3 | 573172 | 573170 | 573173 |



Supa™ Offset Pull Bar

Stainless Steel

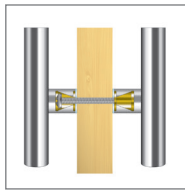
PRODUCT INFORMATION



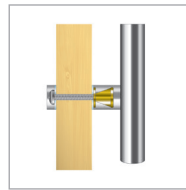
Supa™ is Mila's Stainless Steel range.

- The offset pull bar is available in a range of lengths from 400mm to 1800mm
- 3 finishes - brushed stainless steel, duo stainless and duo gold stainless
- Duo finish options feature polished stainless steel ends combined with a brushed stainless steel centre. Intelligent design which looks stylish and conceals fingermarks
- Stainless steel grade 304 as standard. Option of grade 316 marine grade stainless steel, suitable for coastal regions & areas of high pollution
- Universal - suitable for both left and right handed doors
- 1 bar, 3 ways to fix it - through fix, concealed fix or back-to-back
- Corrosion resistance - independently tested to 1000 hours
- Suites with Mila's Supa™ Stainless Steel door furniture range
- To select the most suitable grade of stainless steel for your application please refer to our postcode finder on pages 393 - 400

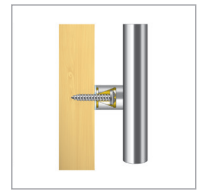
3 FIXING OPTIONS



Back to Back Fix

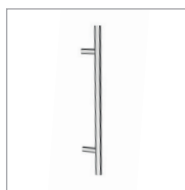


Through Fix



Concealed Fix

FINISHES



Brushed Stainless



Duo Stainless
(polished & brushed)



Duo Gold
(polished & brushed)

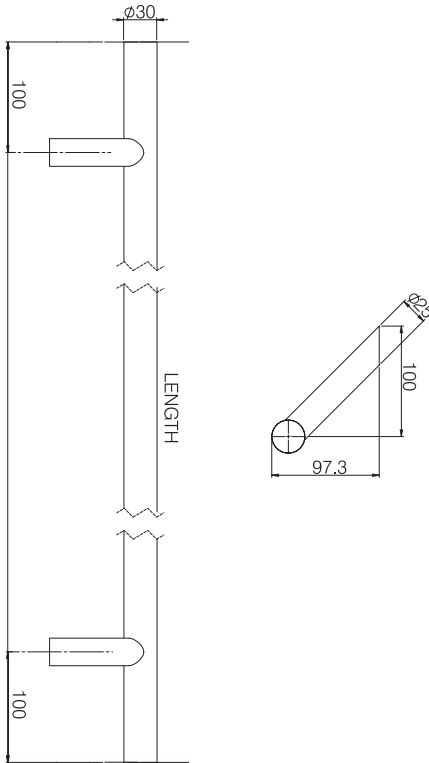
Supa™ Offset Pull Bar

Stainless Steel

Door
Handles



TECHNICAL DRAWINGS



GUARANTEES



SupaSecure™ Escutcheon

See page
311

- Stainless steel grade 304
- Anti-drill rotating disc shields the cylinder face from attack
- Anti-snap integrated cylinder guard encases the cylinder - removing need for an anti-snap cylinder
- Independently tested to the enhanced security requirements of PAS24: 2016
- Meets the requirements of Approved Document Q
- Secured by Design accredited
- TS007: 2014 and A1: 2015
- BSI 2 Star Kitemark accredited

PART NUMBERS

| Description | Type | Steel Grade | Bar Length (mm) | Fixings | Brushed Stainless | Duo Stainless | Duo Gold |
|----------------|--------|-------------|-----------------|---------|-------------------|---------------|----------|
| Supa™ Pull Bar | Offset | 304 | 400 | 2 | 573002 | 573000 | 573003 |
| Supa™ Pull Bar | Offset | 304 | 600 | 2 | 573012 | 573010 | 573013 |
| Supa™ Pull Bar | Offset | 304 | 800 | 2 | 573022 | 573020 | 573023 |
| Supa™ Pull Bar | Offset | 304 | 1000 | 2 | 573032 | 573030 | 573033 |
| Supa™ Pull Bar | Offset | 304 | 1200 | 2 | 573042 | 573040 | 573043 |
| Supa™ Pull Bar | Offset | 304 | 1400 | 3 | 573052 | - | - |
| Supa™ Pull Bar | Offset | 304 | 1600 | 2 | 573062 | - | - |
| Supa™ Pull Bar | Offset | 304 | 1800 | 2 | 573072 | - | - |



Supa™ D Pull Bar

Stainless Steel

PRODUCT INFORMATION



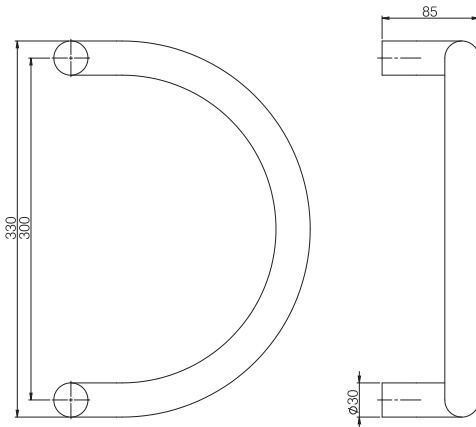
Supa™ is Mila's Stainless Steel range.

- Stainless steel grade 304 as standard. Option of grade 316 marine grade stainless steel, suitable for coastal regions & areas of high pollution
- Universal - suits both left and right handed doors
- 1 bar, 3 ways to fix it - through fix, concealed fix or back-to-back
- Corrosion resistance - independently tested to 1000 hours salt spray
- To select the most suitable grade of stainless steel for your application please refer to our postcode finder on pages 393 - 400

SupaSecure™ Escutcheon

See page
311

TECHNICAL DRAWINGS



GUARANTEES



PART NUMBERS

| Description | Stainless Steel Grade | Bar Length (mm) | Brushed Stainless |
|------------------------|-----------------------|-----------------|-------------------|
| Supa Pull Bar, D Shape | 304 | 330mm | 573202 |

Supa™ V Pull Bar

Stainless Steel

Door
Handles



PRODUCT INFORMATION



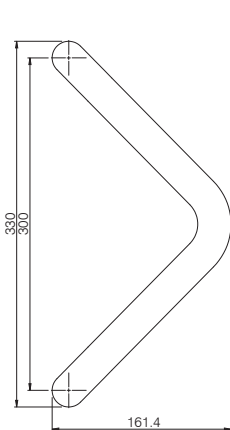
Supa™ is Mila's Stainless Steel range.

- Stainless steel grade 304 as standard. Option of grade 316 marine grade stainless steel, suitable for coastal regions & areas of high pollution
- Universal - suits both left and right handed doors
- 1 bar, 3 ways to fix it - through fix, concealed fix or back-to-back
- Corrosion resistance - independently tested to 1000 hours salt spray
- To select the most suitable grade of stainless steel for your application please refer to our postcode finder on pages 393 - 400

SupaSecure™ Escutcheon

See page
311

TECHNICAL DRAWINGS



GUARANTEES



PART NUMBERS

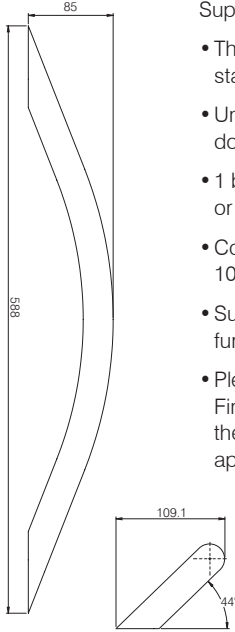
| Description | Stainless Steel Grade | Bar Length (mm) | Brushed Stainless |
|------------------------|-----------------------|-----------------|-------------------|
| Supa Pull Bar, V Shape | 304 | 330mm | 573212 |



Supa™ Bow Pull Bar

Stainless Steel

PRODUCT INFORMATION



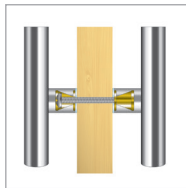
Supa™ is Mila's Stainless Steel range.

- The bow shaped pull bar is manufactured from stainless steel grade 304
- Universal - suitable for both left and right handed doors
- 1 bar, 3 ways to fix it - through fix, concealed fix or back-to-back
- Corrosion resistance - independently tested to 1000 hours
- Suites with Mila's Supa™ Stainless Steel door furniture range
- Please refer to our Stainless Steel Postcode Finder at the back of the catalogue to choose the most suitable grade of stainless steel for your application

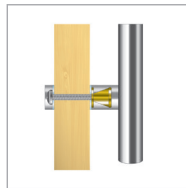
SupaSecure™
Escutcheon

See page
311

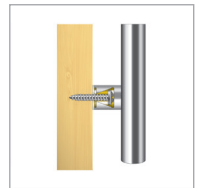
3 FIXING OPTIONS



Back to Back Fix



Through Fix



Concealed Fix

PART NUMBERS

| Description | Shape | Bar Length (mm) | Brushed Stainless |
|---------------|-------|-----------------|-------------------|
| Supa Pull Bar | Bow | 588mm | 573222 |

GUARANTEES



Supa™ Door Knob

Stainless Steel

Door
Handles



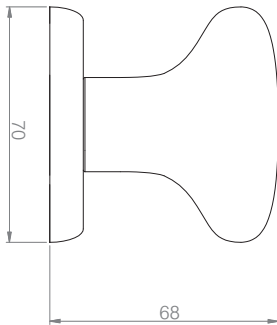
PRODUCT INFORMATION



- The Supa™ door knob is manufactured from stainless steel grade 316
- Universal - suitable for both left and right handed doors
- Available in 5 finishes - duo gold, duo stainless, brushed stainless, polished stainless and polished gold
- Duo finish options feature polished stainless steel rose combined with a brushed stainless steel knob. Intelligent design which looks stylish and conceals fingermarks
- 2 fixing options - through fix or concealed fix (see drawings on page 121)
- Corrosion resistance - independently tested to 1000 hours
- Suites with Mila's Supa™ Stainless Steel door furniture range including escutcheons from page 311



TECHNICAL DRAWINGS



FINISHES



Duo Gold



Polished Gold



Duo Stainless



Polished Stainless



Brushed Stainless

PART NUMBERS

| Description | Fixing | Duo Gold | Polished Gold | Duo Stainless | Polished Stainless | Brushed Stainless |
|-----------------|---------------|----------|---------------|---------------|--------------------|-------------------|
| SUPA™ Door Knob | Through-fix | 574003 | - | 574000 | - | 574002 |
| SUPA™ Door Knob | Concealed-fix | 574013 | 574004 | 574010 | 574001 | 574012 |



Conexis L1 Door Handle

Smart Living



PRODUCT INFORMATION



Open the door to your world with the Conexis® L1 Smart Door Lock.

The Smart Door Lock that puts you fully in control giving you the freedom to secure your home without the need for a key.

- Compatible with most multipoint locks
- Engineered for easy installation.
- 3 ways to open your door; key card, key tag and phone tag
- Operating temperature -15oC to 55oC
- IP55 weather resistant
- PAS 24 Compliant
- Low power consumption - batteries last up to 1 year
- 4 x AA batteries

GUARANTEES



CLOSE-UP



Key Card



Key Tag



Phone Tag

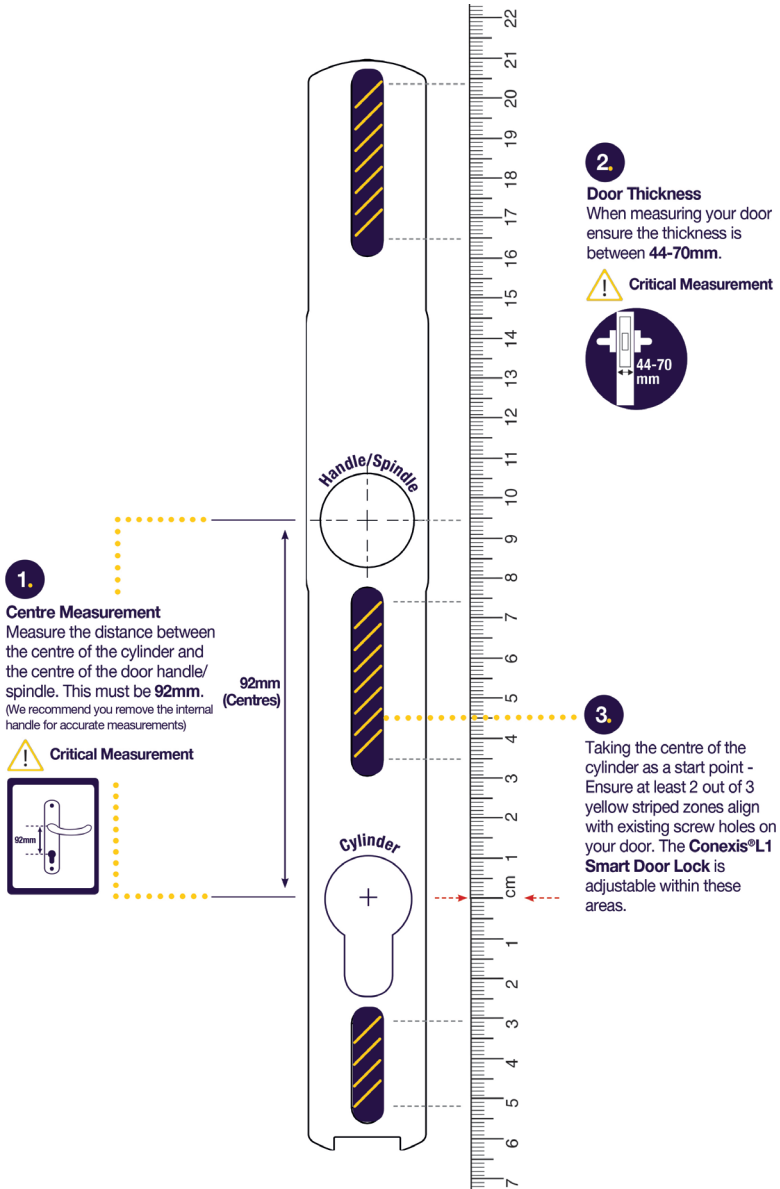
Conexis L1 Door Handle

Smart Living

Door
Handles



3 Step Compatibility Guide





Conexis L1 Door Handle

Smart Living



FAQs

How many users can I have on my Conexis L1 Smart Door Lock?

Key Tags/ Key Cards/ Phone tags = up to 50 in total (any variation – 1 card tag, 1 key tag supplied with lock, additions purchased separately)

Mobile Keys = Unlimited (3 supplied with lock, extra mobile keys can be purchased separately).

What happens if my batteries run flat?

There is a 9v battery connection port on the external side of the lock which can be used to power the Smart Door Lock to gain entry (using one of your credentials Yale Mobile Key/Key Tag/ Key Card/Phone Tag) to your property in the event of flat batteries.

What is the battery life of my Conexis L1 Smart Door Lock?

Based on average usage the battery life is expected to last for approximately 1 year. The lock will play an audible tune as a 'battery low' warning when the batteries are approaching expiration.

How is my Conexis L1 Smart Door Lock powered?

4 x AA Alkaline batteries.

Can I use rechargeable batteries in my Conexis L1 Smart Door Lock?

No, the Conexis L1 Smart Door Lock requires non rechargeable alkaline batteries.

How do I add credentials to my Conexis L1 Smart Door Lock?

Credentials can be added via the Yale Conexis L1 App.

What happens if I lose one of my credentials?

Credentials can be deleted via the Yale Conexis L1 App.

Does my smartphone need an active sim card?

Yes, this is required for the Yale Conexis L1 App to be fully functional.

Is the Conexis L1 Smart Door Lock PAS24 compliant?

PAS24 is a method for testing and assessing the enhanced security performance requirements of external doorsets, comprising of the door and also the lock. The Conexis L1 Smart Door Lock has achieved this accreditation as part of a full door test.

Conexis L1 Door Handle

Smart Living

Door
Handles



AT A GLANCE



Easy to Fit - DIY

The Conexis® L1 Smart Door Lock has been engineered for easy installation. It only takes a screwdriver, smartphone and 20 minutes.



The Yale Lock App

Configure, control and unlock your Smart Door Lock from your smartphone via our secure Bluetooth app.



Tamper Alarm

Deters potential intruders with a loud alarm.



Keyless

Say Goodbye to Keys, with Conexis® L1 your smartphone is now your key. There's no need to leave keys under the mat or worry about the hassle of replacing them if they go missing.



Battery Operated

Powered by 4 x AA batteries and a warning when they're running low.



Battery Back-up

A 9v battery connection port can be used to power the Smart Door Lock in the event of flat batteries.



Secure Push & Turn Thumbturn

Engineered to give additional convenience and security to your door.