

Cylinders & Escutcheons





Choosing Your Cylinder

IDENTIFICATION

Type

Double Cylinder



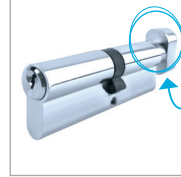
Enables locking/unlocking internally & externally, with a key.

Half Cylinder



Enables locking/unlocking internally only, with a key. Is not visible externally.

Thumbturn Cylinder



Enables locking/unlocking internally & externally but has a 'knob' instead of a key internally

Security

6 Pin - offers a high level of security, with over 100,000 differs

Anti-manipulation - offers an enhanced level of security to protect against bumping

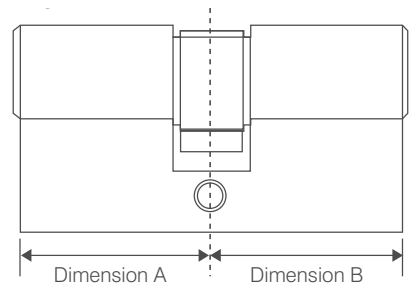
Anti-snap - offers an enhanced level of security to protect against snapping

Sizing & Measuring

Cylinders are available in a comprehensive range of sizes to suit a wide range of door thicknesses.

There are 2 measurements that you need to identify the cylinder size - dimension A & B - see drawing on the right.

For example, if dimension A is 45mm and dimension B is 50mm you will need a 45/50 cylinder.



FINISHES

Cylinders are available in 4 finishes polished brass, polished nickel, matt brass and matt nickel.



Polished
Nickel



Polished
Brass



Matt Nickel



Matt Brass



AT A GLANCE [PRODUCT MATRIX](#)

	Page	Guarantee: 10 Years	Tested to: BS EN 1303 Grade 6	Accreditation: Secured by Design	Security: Anti-Drill	Security: Anti-Pick	Security: Anti-Screw	Security: Anti-Bump	Security: Anti-Snap	Security: 1 Star Kitemark	Security: 3 Star Kitemark	Security: 6 pin	Type: Thumbturn	Type: Half	Type: Double	Finish: Satin Nickel	Finish: Satin Brass	Finish: Polished Nickel	Finish: Polished Brass
1 Star Kitemarked Cylinder	293	✓	✓	✓	✓	✓	✓	✓	✓	✓	✓	✓	✓	✓	✓	✓	✓	✓	✓
ProLinea 6 Pin Double	295	✓	✓		✓	✓						✓	✓	✓	✓			✓	✓
ProLinea 6 Pin Thumbturn	297	✓	✓		✓	✓						✓	✓	✓	✓			✓	✓
ProLinea 6 Pin Half	299	✓	✓		✓	✓						✓	✓	✓	✓			✓	✓
ProLinea 6 Pin Paired Alike	301	✓	✓		✓	✓						✓	✓	✓	✓			✓	✓
ProLinea 6 Pin Keyed Alike	303	✓	✓		✓	✓						✓	✓	✓	✓			✓	✓
Yale Platinum Cylinder	305	✓	✓	✓	✓	✓	✓	✓	✓		✓	✓	✓	✓	✓			✓	✓

Escutcheons & Door Pulls

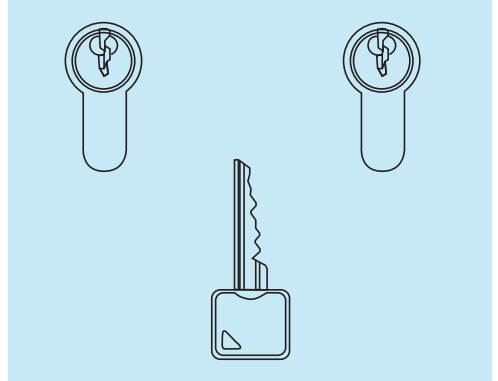
SUPASecure™ Escutcheon	311
SUPASecure™ Pull Escutcheon	313
SUPA™ Pull Escutcheon	315
SUPA™ Escutcheon	316
ProLinea Door Pull	317
ProLinea Escutcheon	318



Key Systems Guide

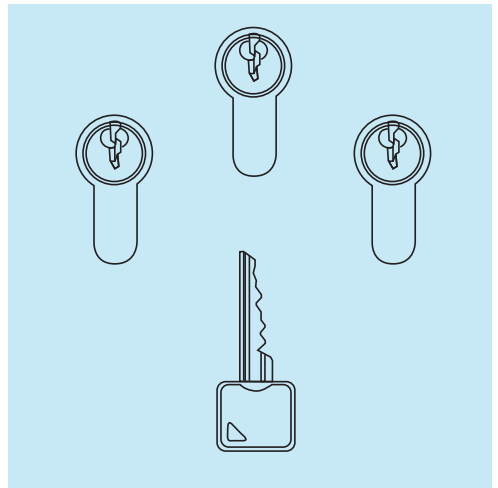
PAIRED ALIKE

- Provides “same key” convenience
- Eliminates the need for different keys where a pair of cylinders are used, for example on French doors
- Mila stock a range of paired alike key/key cylinders



KEYED ALIKE

- Provides “same key” convenience
- Eliminates the need for multiple keys where numerous cylinders are used, for example the same key can be used for front door, back door and French doors
- We stock a range of sets x 20 keyed alike cylinders

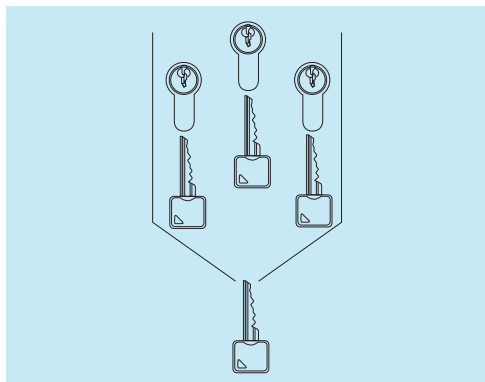




Master Key Systems Guide

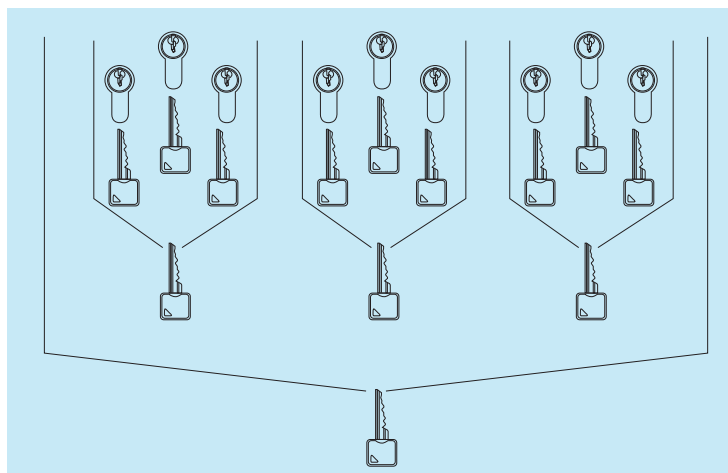
MASTER KEY

- In a master key system, a master key opens all the locks in the system
- Each lock also has its own unique key
- For a 'closed system' keys can only be ordered from the manufacturer.



GRAND MASTER KEY

- Similar to a master key system
- Provides one grand master key for several master key systems





1 Star Security Cylinder

Kitemarked



PRODUCT INFORMATION



Our 1 star cylinder has a raft of enhanced security features:

- 6 hardened steel anti-saw, anti-drill pins
- Anti-plug and anti-pull feature to prevent de-plugging and pulling
- Anti-pick pins
- Low and high driver pins to prevent cylinder bumping
- Independently tested to the enhanced security standard PAS24:2012
- Police preferred specification - Secured by Design accredited
- BSI 1 star Kitemark accredited
- Has achieved BS EN 1303:2005
- Supplied with 3 keys as standard

CLOSE-UP



6 Pin Security



3 Keys Supplied

FINISHES



Satin Nickel



Satin Brass

TECHNICAL DATA

35

35

ED

MB

F6

Digit 1: dimension A (see technical drawings)

Digit 2: dimension B (see technical drawings)

Digit 3: cylinder type

Euro Double = ED

Euro Thumbturn = ET

Digit 4: cylinder finish

Matt Brass = MB

Matt Nickel = MN

Digit 5: number of pins

6 pin security = F6

= F62

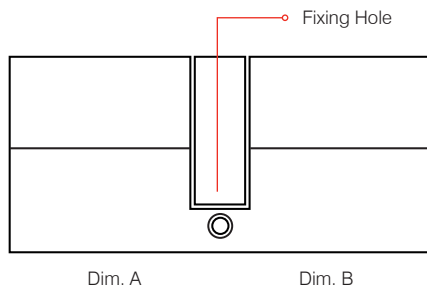




1 Star Security Cylinder

Kitemarked

TECHNICAL DRAWINGS



GUARANTEES



PART NUMBERS

Description	Type	Size	Matt Brass	Matt Nickel
1 Star Security Cylinder	Euro Double	30/30	3030EDMBF6	3030EDMNF6
1 Star Security Cylinder	Euro Double	30/35	3035EDMBF6	3035EDMNF6
1 Star Security Cylinder	Euro Double	35/35	3535EDMBF6	3535EDMNF6
1 Star Security Cylinder	Euro Double	35/40	3540EDMBF6	3540EDMNF6
1 Star Security Cylinder	Euro Double	40/40	4040EDMBF6	4040EDMNF6
1 Star Security Cylinder	Euro Double	40/45	-	4045EDMNF6
1 Star Security Cylinder	Euro Double	40/50	4050EDMBF6	4050EDMNF6
1 Star Security Cylinder	Euro Double	40/55	4055EDMBF6	4055EDMNF6
1 Star Security Cylinder	Euro Double	40/60	4060EDMBF6	4060EDMNF6
1 Star Security Cylinder	Euro Double	45/45	4545EDMBF6	4545EDMNF6
1 Star Security Cylinder	Euro Double	45/50	4550EDMBF6	4550EDMNF6
1 Star Security Cylinder	Euro Double	45/55	4555EDMBF6	4555EDMNF6
1 Star Security Cylinder	Euro Double	50/50	5050EDMBF6	4555EDMNF6
1 Star Security Cylinder	Euro Thumb Turn	35/35	3535ETMBF6	3535ETMNF6
1 Star Security Cylinder	Euro Thumb Turn	40/40	-	4040ETMNF6
1 Star Security Cylinder	Euro Thumb Turn	40/50	4050ETMBF6	4050ETMNF6
1 Star Security Cylinder	Euro Thumb Turn	45/50	-	4550ETMNF6
1 Star Security Cylinder	Euro Double Paired Alike	35/35	3535EDMBF62	3535EDMNF62
1 Star Security Cylinder	Euro Double Paired Alike	40/45	-	4045EDMNF62
1 Star Security Cylinder	Euro Double Paired Alike	45/50	4550EDMBF62	4550EDMNF62
1 Star Security Cylinder	Euro Double Paired Alike	45/55	4555EDMBF62	4555EDMNF62
1 Star Security Cylinder	Euro Double Paired Alike	50/50	5050EDMBF62	4555EDMNF62
	Key Blank		-	KEYBLANKF6



ProLinea 6 Pin Cylinder

Double

PRODUCT INFORMATION



- 6 Pin security
- Over 100,000 effective differs
- Anti-drill pins provide protection against drilling
- Corrosion and temperature resistant for reliability in extreme temperatures
- BS EN 1303 - Grade 6
- BS EN 1303 Classification: 16000C60
- Available in polished brass and polished chrome finishes
- Comprehensive range of sizes available
- Supplied complete with 3 keys

CLOSE-UP



6 Pin Security



3 Keys Supplied

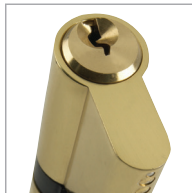
GUARANTEE



FINISHES



Polished Chrome



Polished Brass



ProLinea 6 Pin Cylinder

Double

TECHNICAL DATA

35

35

ED

PC

M6

Digit 1: dimension A (see technical drawings)

Digit 2: dimension B (see technical drawings)

Digit 3: cylinder type

Euro Double = ED

Digit 4: cylinder finish

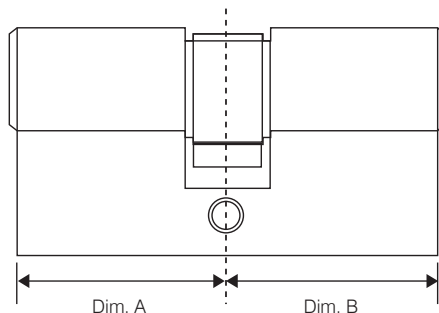
Polished Brass = PB

Polished Chrome = PC

Digit 5: number of pins

Mila 6 pin security = M6

TECHNICAL DRAWINGS



PART NUMBERS

Description	Type	Size	Polished Brass	Polished Chrome
ProLinea 6 Pin Cylinder	Euro Double	30/30	3030EDPBM6	3030EDPCM6
ProLinea 6 Pin Cylinder	Euro Double	35/35	3535EDPBM6	3535EDPCM6
ProLinea 6 Pin Cylinder	Euro Double	35/45	3545EDPBM6	3545EDPCM6
ProLinea 6 Pin Cylinder	Euro Double	35/50	3550EDPBM6	3550EDPCM6
ProLinea 6 Pin Cylinder	Euro Double	35/55	3555EDPBM6	3555EDPCM6
ProLinea 6 Pin Cylinder	Euro Double	40/40	4040EDPBM6	4040EDPCM6
ProLinea 6 Pin Cylinder	Euro Double	40/45	4045EDPBM6	4045EDPCM6
ProLinea 6 Pin Cylinder	Euro Double	40/50	4050EDPBM6	4050EDPCM6
ProLinea 6 Pin Cylinder	Euro Double	40/55	4055EDPBM6	4055EDPCM6
ProLinea 6 Pin Cylinder	Euro Double	40/60	4060EDPBM6	4060EDPCM6
ProLinea 6 Pin Cylinder	Euro Double	45/45	4545EDPBM6	4545EDPCM6
ProLinea 6 Pin Cylinder	Euro Double	45/50	4550EDPBM6	4550EDPCM6
ProLinea 6 Pin Cylinder	Euro Double	45/55	4555EDPBM6	4555EDPCM6
ProLinea 6 Pin Cylinder	Euro Double	50/50	5050EDPBM6	5050EDPCM6



ProLinea 6 Pin Cylinder

Thumbturn

PRODUCT INFORMATION



- 6 Pin security
- Over 100,000 effective differs
- Anti-drill pins provide protection against drilling
- Corrosion and temperature resistant for reliability in extreme temperatures
- Ergonomic thumbturn for ease of use
- BS EN 1303 - Grade 6
- BS EN 1303 Classification: 16000C60
- Available in polished brass and polished chrome finishes
- Comprehensive range of sizes available
- Supplied complete with 3 keys

CLOSE-UP



6 Pin Security



3 Keys Supplied

GUARANTEE



FINISHES



Polished Chrome



Polished Brass



ProLinea 6 Pin Cylinder

Thumbturn

TECHNICAL DATA

35

35

ET

PC

M6

Digit 1: dimension A (see technical drawings)

Digit 2: dimension B (see technical drawings)

Digit 3: cylinder type

Euro Thumbturn = ET

Digit 4: cylinder finish

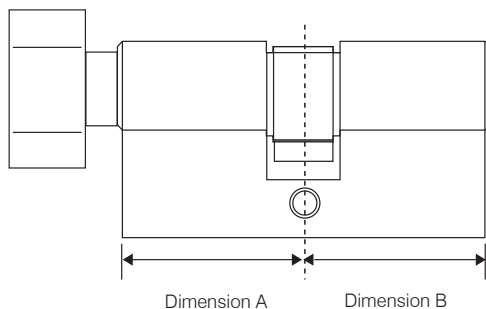
Polished Brass = PB

Polished Chrome = PC

Digit 5: number of pins

Mila 6 pin security = M6

TECHNICAL DRAWINGS



PART NUMBERS

Description	Type	Size	Polished Brass	Polished Chrome
ProLinea 6 Pin Cylinder	Euro Thumb-turn	30/30	3030ETPBM6	3030ETPCM6
ProLinea 6 Pin Cylinder	Euro Thumb-turn	35/35	3535ETPBM6	3535ETPCM6
ProLinea 6 Pin Cylinder	Euro Thumb-turn	35/45	3545ETPBM6	3545ETPCM6
ProLinea 6 Pin Cylinder	Euro Thumb-turn	35/50	3550ETPBM6	3550ETPCM6
ProLinea 6 Pin Cylinder	Euro Thumb-turn	35/55	3555ETPBM6	3555ETPCM6
ProLinea 6 Pin Cylinder	Euro Thumb-turn	40/40	4040ETPBM6	4040ETPCM6
ProLinea 6 Pin Cylinder	Euro Thumb-turn	40/45	4045ETPBM6	4045ETPCM6
ProLinea 6 Pin Cylinder	Euro Thumb-turn	40/50	4050ETPBM6	4050ETPCM6
ProLinea 6 Pin Cylinder	Euro Thumb-turn	40/55	4055ETPBM6	4055ETPCM6
ProLinea 6 Pin Cylinder	Euro Thumb-turn	40/60	4060ETPBM6	4060ETPCM6
ProLinea 6 Pin Cylinder	Euro Thumb-turn	45/35	4535ETPBM6	4535ETPCM6
ProLinea 6 Pin Cylinder	Euro Thumb-turn	45/45	4545ETPBM6	4545ETPCM6
ProLinea 6 Pin Cylinder	Euro Thumb-turn	45/50	4550ETPBM6	4550ETPCM6
ProLinea 6 Pin Cylinder	Euro Thumb-turn	45/55	4555ETPBM6	4555ETPCM6
ProLinea 6 Pin Cylinder	Euro Thumb-turn	50/35	5035ETPBM6	5035ETPCM6
ProLinea 6 Pin Cylinder	Euro Thumb-turn	50/40	5040ETPBM6	5040ETPCM6
ProLinea 6 Pin Cylinder	Euro Thumb-turn	50/45	5045ETPBM6	5045ETPCM6
ProLinea 6 Pin Cylinder	Euro Thumb-turn	50/50	5050ETPBM6	5050ETPCM6
ProLinea 6 Pin Cylinder	Euro Thumb-turn	55/35	5535ETPBM6	5535ETPCM6
ProLinea 6 Pin Cylinder	Euro Thumb-turn	55/40	5540ETPBM6	5540ETPCM6
ProLinea 6 Pin Cylinder	Euro Thumb-turn	55/45	5545ETPBM6	5545ETPCM6
ProLinea 6 Pin Cylinder	Euro Thumb-turn	60/40	6040ETPBM6	6040ETPCM6



ProLinea 6 Pin Cylinder

Half

PRODUCT INFORMATION



- 6 Pin security
- Over 100,000 effective differs
- Anti-drill pins provide protection against drilling
- Corrosion and temperature resistant for reliability in extreme temperatures
- BS EN 1303 - Grade 6
- BS EN 1303 Classification: 16000C60
- Available in polished brass and polished chrome finishes
- Comprehensive range of sizes available
- Supplied complete with 3 keys

CLOSE-UP



6 Pin Security



3 Keys Supplied

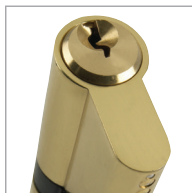
GUARANTEE



FINISHES



Polished Chrome



Polished Brass



ProLinea 6 Pin Cylinder

Half

TECHNICAL DATA

35

35

EH

PC

M6

Digit 1: dimension A (see technical drawings)

Digit 2: dimension B (see technical drawings)

Digit 3: cylinder type

Euro Half = EH

Digit 4: cylinder finish

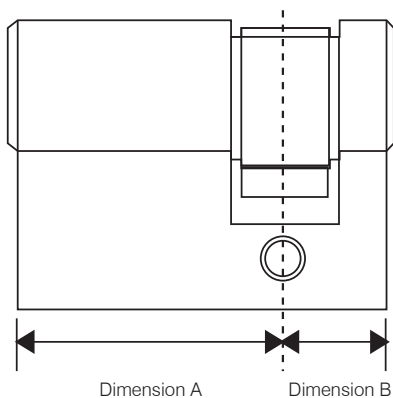
Polished Brass = PB

Polished Chrome = PC

Digit 5: number of pins

Mila 6 pin security = M6

TECHNICAL DRAWINGS



PART NUMBERS

Description	Type	Size	Polished Brass	Polished Chrome
ProLinea 6 Pin	Euro Half	30/10	3010EHPBM6	3010EHPCM6
ProLinea 6 Pin	Euro Half	35/10	3510EHPBM6	3510EHPCM6
ProLinea 6 Pin	Euro Half	40/10	4010EHPBM6	4010EHPCM6
ProLinea 6 Pin	Euro Half	45/10	4510EHPBM6	4510EHPCM6
ProLinea 6 Pin	Euro Half	50/10	5010EHPBM6	5010EHPCM6
ProLinea 6 Pin	Euro Half	55/10	5510EHPBM6	5510EHPCM6



ProLinea 6 Pin Cylinder

Paired Alike

PRODUCT INFORMATION



- 6 Pin security
- Over 100,000 effective differs
- Anti-drill pins provide protection against drilling
- Corrosion and temperature resistant for reliability in extreme temperatures
- BS EN 1303 - Grade 6
- BS EN 1303 Classification: 16000C60
- Available in polished brass and polished chrome finishes
- Comprehensive range of sizes available
- Supplied complete with 3 keys

CLOSE-UP



6 Pin Security



3 Keys Supplied

GUARANTEE



FINISHES



Polished Chrome



Polished Brass



ProLinea 6 Pin Cylinder

Paired Alike

TECHNICAL DATA

35

35

ED

PC

M6

Digit 1: dimension A (see technical drawings)

Digit 2: dimension B (see technical drawings)

Digit 3: cylinder type

Euro Double = ED

Digit 4: cylinder finish

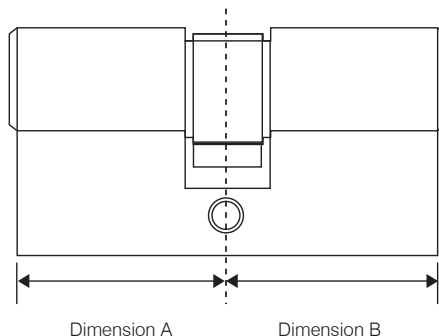
Polished Brass = PB

Polished Chrome = PC

Digit 5: number of pins

Mila 6 pin security = M6

TECHNICAL DRAWINGS



Dimension A

Dimension B

PART NUMBERS

Description	Type	Size	Polished Brass	Polished Chrome
ProLinea 6 Pin Paired Alike	Euro Double	3030	3030EDPBM62	3030EDPCM62
ProLinea 6 Pin Paired Alike	Euro Double	3035	3035EDPBM62	3035EDPCM62
ProLinea 6 Pin Paired Alike	Euro Double	3040	3040EDPBM62	3040EDPCM62
ProLinea 6 Pin Paired Alike	Euro Double	3045	3045EDPBM62	3045EDPCM62
ProLinea 6 Pin Paired Alike	Euro Double	3050	3050EDPBM62	3050EDPCM62
ProLinea 6 Pin Paired Alike	Euro Double	3055	3055EDPBM62	3055EDPCM62
ProLinea 6 Pin Paired Alike	Euro Double	3060	3060EDPBM62	3060EDPCM62
ProLinea 6 Pin Paired Alike	Euro Double	3535	3535EDPBM62	3535EDPCM62
ProLinea 6 Pin Paired Alike	Euro Double	3545	3545EDPBM62	3545EDPCM62
ProLinea 6 Pin Paired Alike	Euro Double	3550	3550EDPBM62	3550EDPCM62
ProLinea 6 Pin Paired Alike	Euro Double	3555	3555EDPBM62	3555EDPCM62
ProLinea 6 Pin Paired Alike	Euro Double	4040	4040EDPBM62	4040EDPCM62
ProLinea 6 Pin Paired Alike	Euro Double	4045	4045EDPBM62	4045EDPCM62
ProLinea 6 Pin Paired Alike	Euro Double	4050	4050EDPBM62	4050EDPCM62
ProLinea 6 Pin Paired Alike	Euro Double	4055	4055EDPBM62	4055EDPCM62
ProLinea 6 Pin Paired Alike	Euro Double	4060	4060EDPBM62	4060EDPCM62
ProLinea 6 Pin Paired Alike	Euro Double	4545	4545EDPBM62	4545EDPCM62
ProLinea 6 Pin Paired Alike	Euro Double	4550	4550EDPBM62	4550EDPCM62
ProLinea 6 Pin Paired Alike	Euro Double	4555	4555EDPBM62	4555EDPCM62
ProLinea 6 Pin Paired Alike	Euro Double	5050	5050EDPBM62	5050EDPCM62



ProLinea 6 Pin Cylinder

Keyed Alike

PRODUCT INFORMATION



- 6 Pin security
- Over 100,000 effective differs
- Anti-drill pins provide protection against drilling
- Corrosion and temperature resistant for reliability in extreme temperatures
- BS EN 1303 - Grade 6
- BS EN 1303 Classification: 16000C60
- Available in polished brass and polished chrome finishes
- Comprehensive range of sizes available
- Supplied complete with 3 keys

CLOSE-UP



6 Pin Security



3 Keys Supplied

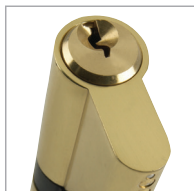
GUARANTEE



FINISHES



Polished Chrome



Polished Brass



ProLinea 6 Pin Cylinder

Keyed Alike

TECHNICAL DATA

35

35

EH

PC

M6

Digit 1: dimension A (see technical drawings)

Digit 2: dimension B (see technical drawings)

Digit 3: cylinder type

Euro Half = EH

Digit 4: cylinder finish

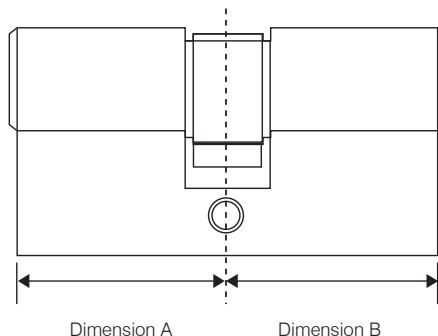
Polished Brass = PB

Polished Chrome = PC

Digit 5: number of pins

Mila 6 pin security = M6

TECHNICAL DRAWINGS



Dimension A

Dimension B

PART NUMBERS

Description	Type	Size	Polished Brass	Polished Chrome
ProLinea 6 Keyed Alike in 20's	Euro Double	3030	3030EDPBM620	3030EDPCM620
ProLinea 6 Keyed Alike in 20's	Euro Double	3035	3035EDPBM620	3035EDPCM620
ProLinea 6 Keyed Alike in 20's	Euro Double	3040	3040EDPBM620	3040EDPCM620
ProLinea 6 Keyed Alike in 20's	Euro Double	3045	3045EDPBM620	3045EDPCM620
ProLinea 6 Keyed Alike in 20's	Euro Double	3050	3050EDPBM620	3050EDPCM620
ProLinea 6 Keyed Alike in 20's	Euro Double	3055	3055EDPBM620	3055EDPCM620
ProLinea 6 Keyed Alike in 20's	Euro Double	3060	3060EDPBM620	3060EDPCM620
ProLinea 6 Keyed Alike in 20's	Euro Double	3535	3535EDPBM620	3535EDPCM620
ProLinea 6 Keyed Alike in 20's	Euro Double	3545	3545EDPBM620	3545EDPCM620
ProLinea 6 Keyed Alike in 20's	Euro Double	3550	3550EDPBM620	3550EDPCM620
ProLinea 6 Keyed Alike in 20's	Euro Double	3555	3555EDPBM620	3555EDPCM620
ProLinea 6 Keyed Alike in 20's	Euro Double	4040	4040EDPBM620	4040EDPCM620
ProLinea 6 Keyed Alike in 20's	Euro Double	4045	4045EDPBM620	4045EDPCM620
ProLinea 6 Keyed Alike in 20's	Euro Double	4050	4050EDPBM620	4050EDPCM620
ProLinea 6 Keyed Alike in 20's	Euro Double	4055	4055EDPBM620	4055EDPCM620
ProLinea 6 Keyed Alike in 20's	Euro Double	4060	4060EDPBM620	4060EDPCM620
ProLinea 6 Keyed Alike in 20's	Euro Double	4545	4545EDPBM620	4545EDPCM620
ProLinea 6 Keyed Alike in 20's	Euro Double	4550	4550EDPBM620	4550EDPCM620
ProLinea 6 Keyed Alike in 20's	Euro Double	4555	4555EDPBM620	4555EDPCM620
ProLinea 6 Keyed Alike in 20's	Euro Double	5050	5050EDPBM620	5050EDPCM620



Platinum Cylinders

3 Star Kitemarked Anti-Snap



PRODUCT INFORMATION



- Enhanced security cylinder, designed to deter even the most determined intruders
- TS007:2014 3 Star accredited
- Anti-snap, anti-pick, anti-bump, anti-drill and anti-screw
- Sacrificial external side to defend against snap attacks
- Advanced multi-pin tumbler mechanism
- Police Preferred specification
- Secured by Design approved
- Stylish Yale reversible key with nylon keybow to allow for easy identification and grip
- Supplied with 3 Yale branded, dimple cut keys as standard
- Size ranges available from 70mm to 110mm

GUARANTEE

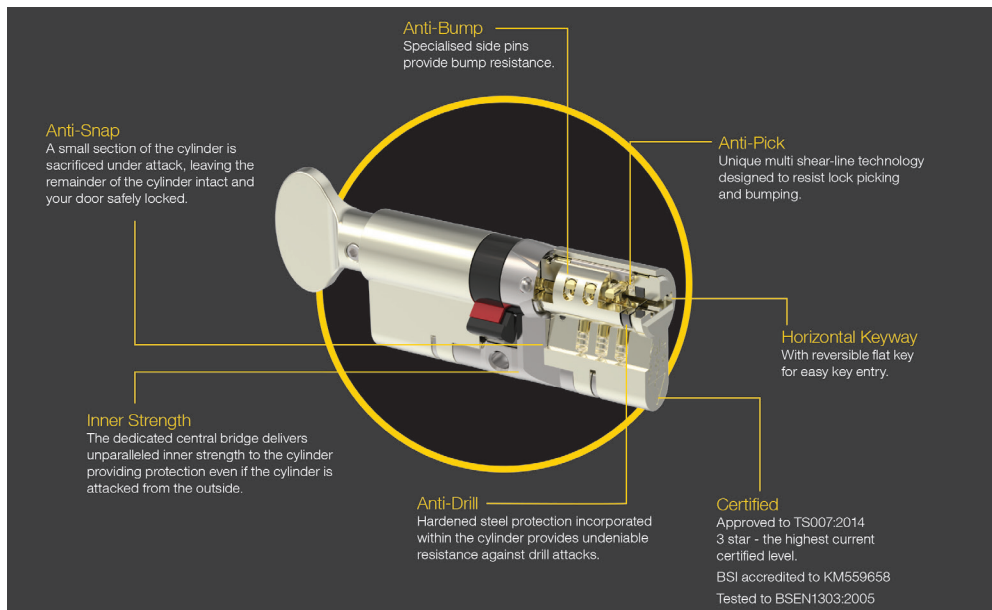




Platinum Cylinders

3 Star Kitemarked

TECHNICAL DATA



CLOSE-UP





Platinum Double Cylinder

3 Star Kitemarked Anti-Snap



PART NUMBERS

Description	Size	Brass 3 Keys	Brass 5 Keys	Brass 6 Keys
Yale Platinum 3* Double Cylinder	30/30	YS33030B	-	-
Yale Platinum 3* Double Cylinder	30/40	YS33040B	-	-
Yale Platinum 3* Double Cylinder	30/45	YS33045B	-	-
Yale Platinum 3* Double Cylinder	30/50	YS33050B	-	-
Yale Platinum 3* Double Cylinder	35/35	YS33535B	YS33535B5K	-
Yale Platinum 3* Double Cylinder	35/45	YS33545B	-	-
Yale Platinum 3* Double Cylinder	35/50	YS33550B	-	-
Yale Platinum 3* Double Cylinder	35/55	YS33555B	-	-
Yale Platinum 3* Double Cylinder	40/30	YS34030B	-	-
Yale Platinum 3* Double Cylinder	40/40	YS34040B	YS34040B5K	-
Yale Platinum 3* Double Cylinder	40/45	YS34045B	-	-
Yale Platinum 3* Double Cylinder	40/50	YS34050B	-	-
Yale Platinum 3* Double Cylinder	40/55	YS34055B	-	-
Yale Platinum 3* Double Cylinder	40/60	YS34060B	-	-
Yale Platinum 3* Double Cylinder	45/30	YS34530B	-	-
Yale Platinum 3* Double Cylinder	45/35	YS34535B	-	-
Yale Platinum 3* Double Cylinder	45/40	YS34540B	-	-
Yale Platinum 3* Double Cylinder	45/45	YS34545B	-	-
Yale Platinum 3* Double Cylinder	45/50	YS34550B	-	-
Yale Platinum 3* Double Cylinder	45/55	YS34555B	-	-
Yale Platinum 3* Double Cylinder	45/60	YS34560N	-	-
Yale Platinum 3* Double Cylinder	50/30	YS35030B	-	-
Yale Platinum 3* Double Cylinder	50/35	YS35035B	-	-
Yale Platinum 3* Double Cylinder	50/40	YS35040B	-	-
Yale Platinum 3* Double Cylinder	50/45	YS35045B	-	-
Yale Platinum 3* Double Cylinder	50/50	YS35050B	YS35050B5K	YS35050B6K
Yale Platinum 3* Double Cylinder	55/35	YS35535B	-	-
Yale Platinum 3* Double Cylinder	55/40	YS35540B	YS35540N	-
Yale Platinum 3* Double Cylinder	55/45	YS35545B	-	-
Yale Platinum 3* Double Cylinder	60/40	YS36040B	-	-
Yale Platinum 3* Double Cylinder	60/45	-	YS36045N	-
Yale Platinum 3* Key Blank 38mm	YS3KB38	-	-	-
Yale Platinum 3* Key Blank 43mm	YS3KB43	-	-	-



Platinum Double Cylinder

3 Star Kitemarked Anti-Snap

Nickel, 3 keys	Nickel, 5 Keys	Brass Paired Alike 3 Keys	Nickle Paired Alike 3 Keys
YS33030N	-	YS33030BPA	-
YS33040N	-	-	-
YS33045N	-	-	-
YS33050N	-	-	-
YS33535N	YS33535N5K	YS33535BPA	YS33535NPA
YS33545N	-	-	-
YS33550N	-	-	-
YS33555N	-	-	-
YS34030N	-	-	-
YS34040N	YS34040N5K	YS34040BPA	YS34040NPA
YS34045N	-	-	YS34045NPA
YS34050N	-	YS34050BPA	YS34050NPA
YS34055N	-	-	-
YS34060N	-	-	-
YS34530N	-	-	-
YS34535N	-	-	-
YS34540N	-	-	YS34540NPA
YS34545N	-	-	YS34545NPA
YS34550N	-	YS34550BPA	YS34550NPA
YS34555N	-	YS34555BPA	YS34555NPA
-	-	-	-
YS35030N	-	-	-
YS35035N	-	-	-
YS35040N	-	YS35040BPA	YS35040NPA
YS35045N	-	YS35045BPA	YS35045NPA
YS35050N	-	YS35050BPA	YS35050NPA
YS35535N	-	-	-
-	-	-	-
YS35545N	-	YS35545BPA	YS35545NPA
YS36040N	-	-	-
-	-	-	-
-	-	-	-
-	-	-	-



Platinum Thumbturn Cylinder

3 Star Kitemarked Anti-Snap



PART NUMBERS

Description	Size	Brass 3 Keys	Brass 5 Keys
Yale Platinum 3* Thumbturn Cylinder	30/30 Brass with 3 Keys	YS33030BT	-
Yale Platinum 3* Thumbturn Cylinder	30/55 Brass with 3 Keys	YS33055BT	-
Yale Platinum 3* Thumbturn Cylinder	35/35 Brass with 3 Keys	YS33535BT	YS33535BT5K
Yale Platinum 3* Thumbturn Cylinder	35/45 Brass with 3 Keys	YS33545BT	-
Yale Platinum 3* Thumbturn Cylinder	35/55 Brass with 3 Keys	YS33555BT	-
Yale Platinum 3* Thumbturn Cylinder	40/40 Brass with 3 Keys	YS34040BT	YS34040BT5K
Yale Platinum 3* Thumbturn Cylinder	40/50 Brass with 3 Keys	YS34050BT	-
Yale Platinum 3* Thumbturn Cylinder	40/55 Brass with 3 Keys	YS34055BT	-
Yale Platinum 3* Thumbturn Cylinder	45/35 Brass with 3 Keys	YS34535BT	-
Yale Platinum 3* Thumbturn Cylinder	45/45 Brass with 3 Keys	YS34545BT	-
Yale Platinum 3* Thumbturn Cylinder	45/50 Nickel with 3 Keys	-	-
Yale Platinum 3* Thumbturn Cylinder	50/40 Brass with 3 Keys	YS35040BT	-
Yale Platinum 3* Thumbturn Cylinder	50/50 Brass, Paired Alike with 3 Keys	YS35050BT	-
Yale Platinum 3* Thumbturn Cylinder	55/35 Brass with 3 Keys	YS35535BT	-
Yale Platinum 3* Thumbturn Cylinder	55/40 Brass with 3 Keys	YS35540BT	-

Platinum Thumbturn Cylinder

3 Star Kitemarked Anti-Snap



Nickel, 3 keys	Nickel, 5 Keys	Brass Paired Alike 3 Keys	Nickle Paired Alike 3 Keys
YS33030NT	-	-	-
YS33055NT	-	-	-
YS33535NT	YS33535NT5K	-	-
-	-	-	-
YS33555NT	-	-	-
YS34040NT	-	-	-
YS34050NT	-	-	-
YS34055NT	-	-	-
YS34535NT	-	-	-
YS34545NT	-	-	-
YS34550NT	-	-	-
YS35040NT	-	-	-
YS35050NT	-	YS35050BPAT	YS35050NPAT
YS35535NT	-	-	-
YS35540NT	-	-	-



SupaSecure™ Escutcheon

Stainless Steel Security



PRODUCT INFORMATION

Anti-Grip
chamfered
shoulders
provide anti
mole-grip
resistance

Anti-Drill
rotating disc
shields the
cylinder face
from attack,
preventing a
drill bit from
penetrating the
cylinder



Visual Deterrent
Secured by Design logo
etched onto face

BSI Kitemark
A symbol of trust, the BSI
Kitemark logo is etched
onto the internal face of the
escutcheon for home owner
peace of mind



- TS007 2 star
- To be used in conjunction with TS007 1 star cylinder
- Enhanced security stainless steel escutcheon
- Manufactured from 304 stainless steel
- Anti-drill rotating disc shields the cylinder face from attack, preventing a drill bit from penetrating the cylinder
- Anti-snap integrated cylinder guard, visible within the raised backplate design, encases the cylinder to protect it from attack - no need for an anti-snap cylinder
- Salt spray tested to 480 hours for proven weather resistance
- Independently tested to the enhanced security requirements of PAS24: 2012
- Police preferred specification - Secured by Design accredited
- Independently tested by BSI - 2 star kitemarked
- Suitable for PVCu, timber & aluminium applications
- Available in 3 suited finishes - polished stainless, polished gold stainless and brushed stainless

SupaSecure™ Escutcheon

Stainless Steel Security

Cylinders



FINISHES



Polished
Stainless



Polished PVD Gold
Stainless

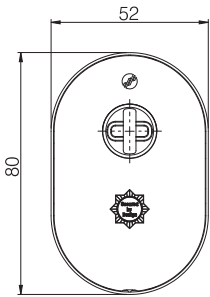


Brushed
Stainless

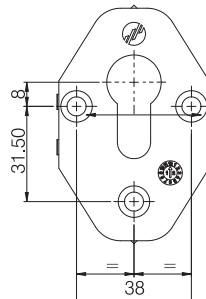
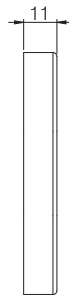
GUARANTEES



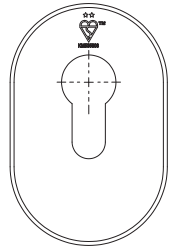
TECHNICAL DRAWINGS



External



Internal



PART NUMBERS

Description	Stainless Steel Grade	Polished Stainless	Polished Gold Stainless	Brushed Stainless
SupaSecure™ Escutcheon	304	579081	579084	579082



SupaSecure™ Pull Escutcheon

Stainless Steel Security



PRODUCT INFORMATION

Anti-Grip
chamfered shoulders provide anti mole-grip resistance

Anti-Drill
rotating disc shields the cylinder face from attack, preventing a drill bit from penetrating the cylinder

Ease-of-Use
pull facility on both internal and external faces



- TS007 2 star
- To be used in conjunction with TS007 1 star cylinder
- Enhanced security stainless steel escutcheon
- Manufactured from 304 stainless steel
- Anti-drill rotating disc shields the cylinder face from attack, preventing a drill bit from penetrating the cylinder
- Anti-snap integrated cylinder guard, visible within the raised backplate design, encases the cylinder to protect it from attack - no need for an anti-snap cylinder
- Pull facility on both internal and external faces for ease of use
- Salt spray tested to 480 hours for proven weather resistance
- Independently tested to the enhanced security requirements of PAS24: 2012
- Police preferred specification - Secured by Design accredited
- Independently tested by BSI - 2 star kitemarked
- Suitable for PVCu, timber & aluminium applications
- Available in 3 suited finishes - polished stainless, polished gold stainless and brushed stainless

BSI Kitemark

A symbol of trust, the BSI Kitemark logo is etched onto the internal face of the escutcheon for home owner peace-of-mind



SupaSecure™ Pull Escutcheon

Stainless Steel Security

Cylinders



FINISHES

GUARANTEES



Polished
Stainless



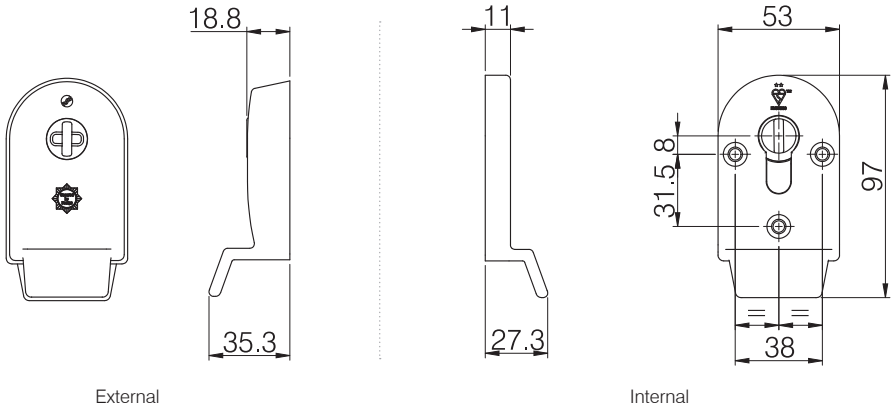
Polished PVD Gold
Stainless



Brushed
Stainless



TECHNICAL DRAWINGS



PART NUMBERS

Description	Stainless Steel Grade	Polished Stainless	Polished Gold Stainless	Brushed Stainless
SupaSecure™ Pull Escutcheon	304	579061	579064	579062



Supa™ Pull Escutcheon

Stainless Steel

PRODUCT INFORMATION



- Manufactured from 304 stainless steel, suitable for coastal regions & areas of high pollution
- Suitable for use with all euro cylinders
- Available in 3 suited finishes
- Salt spray tested to 480 hours for proven weather resistance
- Suitable for PVCu, timber & aluminium doors
- Simple-to-fit

GUARANTEES



FINISHES



Polished
Stainless

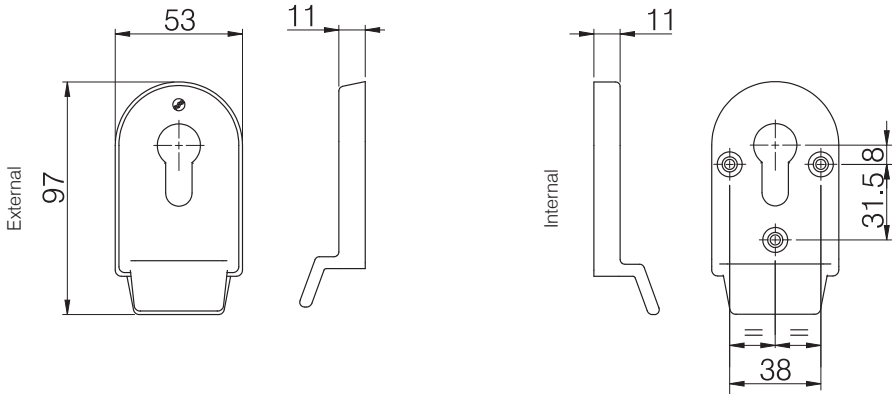


Brushed
Stainless



Brushed Gold
Stainless

TECHNICAL DRAWINGS



PART NUMBERS

Description	Stainless Steel Grade	Polished Stainless	Polished Gold Stainless	Brushed Stainless
Supa™ Pull Escutcheon	304	579041	579044	579042

Supa™ Escutcheon

Stainless Steel



PRODUCT INFORMATION



- Manufactured from 304 stainless steel, suitable for coastal regions & areas of high pollution
- Two screw fixing, no pre-drilling required
- Suitable for use with all euro cylinders
- Available in 3 suited finishes
- Salt spray tested to 480 hours for proven weather resistance
- Suitable for PVCu, timber & aluminium doors
- Simple-to-fit

GUARANTEES



FINISHES



Polished
Stainless

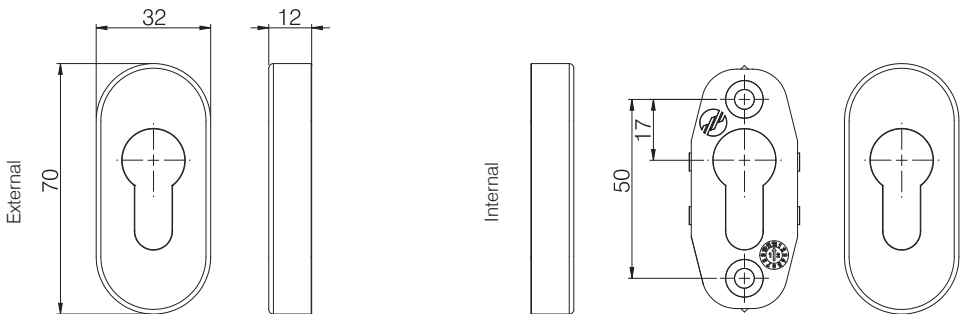


Brushed
Stainless



Brushed Gold
Stainless

TECHNICAL DRAWINGS



PART NUMBERS

Description	Stainless Steel Grade	Polished Stainless	Polished Gold Stainless	Brushed Stainless
Supa™ Standard Escutcheon	316	579021	579024	579022
Supa™ Standard Escutcheon	304	579001	579004	579002



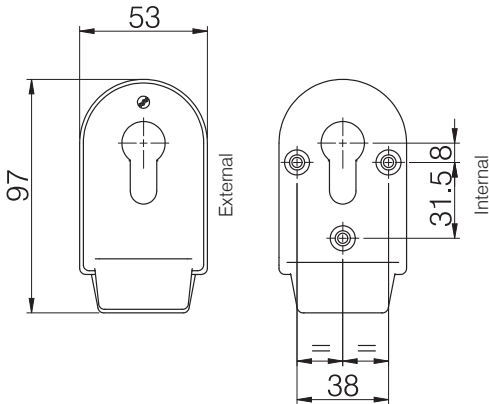
ProLinea Door Pull

PRODUCT INFORMATION



- Allows for easy door opening
- Suitable for use with all euro cylinders
- Available 2 finishes - in black & white
- Manufactured from zinc alloy
- Suitable for PVCu, timber & aluminium doors
- Ideal for use with stable door locks & door locks with additional cylinder operated deadbolts
- Simple to fit
- Fixing screws sold separately

TECHNICAL DRAWINGS



FINISHES



White



Black

PART NUMBERS

Description	White	Black
ProLinea Escutcheon	579108	579107

GUARANTEE



ProLinea Escutcheon



PRODUCT INFORMATION



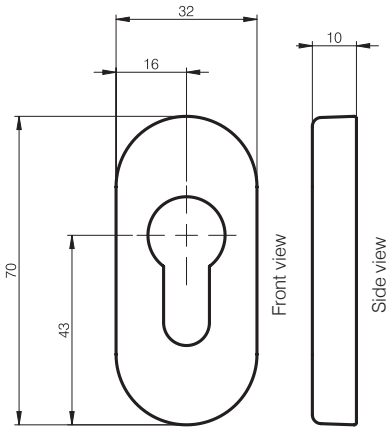
Fixing plate on reverse

- Zinc alloy clip-fit cover
- ABS fixing plate
- Face-fixed
- Two screw fixing, no pre-drilling required
- Weather resistant - salt spray tested to 480 hours
- Available in 6 finishes including smokey chrome & satin chrome
- Suitable for PVCu, timber & aluminium applications
- Ideal for use with stable door locks & door locks with additional cylinder operated deadbolts

GUARANTEES



TECHNICAL DRAWINGS



FINISHES



Polished Gold



Polished Chrome



Smokey Chrome



Smooth Satin Chrome



White



Black

PART NUMBERS

Description	Polished Gold	Polished Chrome	Smooth Satin Chrome	Smokey Chrome	White	Black
ProLinea Escutcheon	059224	059221	059229	059225	059228	059227