

Door Locks





Choosing Your Door Lock

APPLICATIONS

Mila stock a comprehensive range of multipoint door locks, a proportion of which are included within this catalogue.

Please ask our sales team if you cannot find the lock you require.

1. Select the lock application

The type of multipoint lock you choose will depend upon it's intended application. See common applications on the opposite page.



Choosing Your Door Lock



COMMON APPLICATIONS



Residential Doors

Multipoint locks for use on front or back doors. These multipoint locks feature various combinations of locking points, from basic 4 roller locks to enhanced security hook locks. We stock a range suitable for PVCu, timber, aluminium and composite application.



French Door Primary Leaf

Multipoint locks designed for use on the primary leaf of a pair of French doors. These locks often feature the same locking point combinations as standard residential door locks but can have shootbolts added top and bottom - highly recommended when used on French doors.

French Door Secondary Leaf

Multipoint locks designed for use on the secondary leaf of a pair of French doors. Secondary locks are fitted behind a French door dummy mullion and have shootbolts fitted top and bottom. Fitting a secondary lock provides enhanced security when compared to finger bolts and maintains the symmetry of the door as two sets of handles are fitted.



Stable Door

Stable doors are becoming increasingly popular as an alternative to traditional residential doors - particularly as a rear or kitchen door. Stable door locking systems allow the top half of the door to be opened for ventilation or the whole door to open for access.



Panic Door

Multipoint locking systems designed for use on Panic Doors. These multipoint locks are operated internally via panic bars or pads for safe, simple egress in case of emergency. The lock can also be fitted with external access if required.



Choosing Your Door Lock

IDENTIFICATION

2. Identify the faceplate width, backset and PZ dimensions required

Faceplate Width

The standard faceplate (A) width for multipoint locks is 16mm, although some locks are available with a 24mm U-track faceplate. Typically, composite door faceplate's are 20mm.

Backset

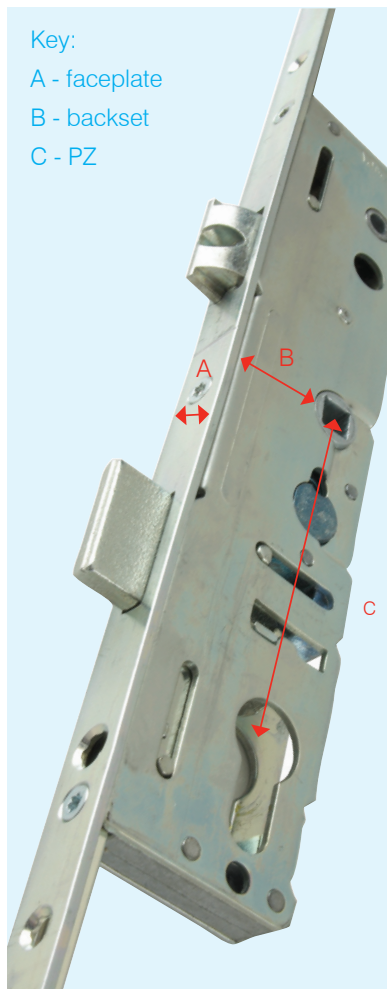
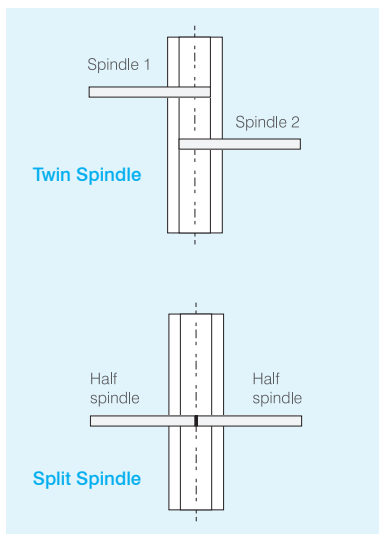
The backset dimension (B) is the distance from the gearbox faceplate to the centre of the square spindle hole. Backset dimensions will generally be either 35mm for PVCu doors or 45mm for composite or timber doors.

PZ

The PZ dimension (C) is the distance from the centre of the handle spindle hole to the centre of the cylinder. The most common PZ distance is 92mm although this can vary depending on lock manufacturer and lock function i.e. twin spindle locks.

Operation

Choose between normal lever/lever operation, split spindle (dual function) or twin spindle. See diagram below:



Key:
A - faceplate
B - backset
C - PZ

Choosing Your Door Lock



LOCKING POINTS

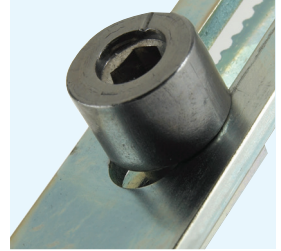
3. Select the locking and sealing point configuration:



Latch
Reversible for right or left hand doors



Deadbolt
Protected by anti-saw pins



Roller Cam
Adjustable to ensure optimum weather-sealing



Mushroom Cam
Anti-separation device,
adjustable for weather-sealing



Hook & Pin
Strong anti-separation and anti-lift combination



Hook
Anti-separation device, locks in either an upward or downward direction and secures behind striker



Pin
For strength & compression,
protected by anti-saw pins



Shootbolt Extension
Can be added top and bottom to specific door locks to enhance security of residential doors or for use on primary or secondary leaf of French doorset



Door Lock Selection Guide



Door Locks from Market-Leading Brands

	Page
ProSecure Door Lock - 2 Hook, 2 Roller (Residential & French Doors)	201
ProSecure Door Lock - 2 Hook, 4 Roller (Residential & French Doors)	203
ProSecure Door Lock - 2 Hook, 4 Roller (Standard Residential Doors)	205
ProSecure Door Lock - Secondary Lock	207
ProSecure Door Lock - 2 Hook (for Timber & Composite doors)	209
LockMaster PLSP143 (PL143)	211
LockMaster PLSP45 (PL45)	215
LockMaster PL143 HK	213
LockMaster PLSP13-2ER (PL132ER)	217
LockMaster PLSP100	219
LockMaster - PLSP105 (PL105)	221
LockMaster - PLSP11 (PL11)	223
LockMaster - PLSP104	225
LockMaster Secondary Lock - PLSP30 (PL30)	227
LockMaster - PL85 Composite Door Lock	229
LockMaster PLSP18 (PL18)	231
YLKT45 - TH20	233
KFV AS7370 - 2 pin	235
KFV AS7970	237
KFV AS 7006 - Hurricane Lock	239
KFV AS 4900 - 2 Hook	241
KFV AS 4350 - 2 Pin	243
KFV AS4050 - 4 Roller	245



Door Lock Selection Guide



Door Locks from Market-Leading Brands

	Page
KFV AS2300 (W20) - Stable Door Lock	247
KFV AS3500 - Automatic Lock	249
Mila Pin Panic Lock	251
Mila Surface Mounted Panic Lock	253
Push Button Lock	255
iDeal Lockcase Range	257
49 PZW Mortice Lock	259
Electronic Latch (fail safe and fail secure)	261
iDeal Large Finger Operated Shootbolt	262
iDeal Small Finger Operated Shootbolt	263
iDeal Standard Finger Operated Shootbolt	264
Normal & Reverse Action Shootbolts	265
Yale & KFV Shootbolts	265

Door Lock Selection Guide



Striker: 1 Piece striker	✓	✓	✓	✓																
Striker: 3 Piece striker	✓	✓	✓	✓																
Guarantee: 3 Piece Mechanical	✓	✓	✓	✓																
Guarantee: 10 Year Mechanical																				
Guarantee: 5 Year Mechanical																				
Guarantee: 2 Year Mechanical																				
Guarantee: Secured by Design																				
Guarantee: Secured by Design																				
Application: PVCu	✓	✓	✓	✓	✓	✓	✓	✓	✓											
Application: Composite	✓	✓	✓	✓	✓	✓	✓	✓	✓											
Application: Timber	✓	✓	✓	✓	✓	✓	✓	✓	✓											
Application: Aluminium																				
Door Type: Panic Door																				
Door Type: Panic Door																				
Door Type: Stable Door	✓																			
Door Type: Stable Door																				
Door Type: French Door - primary																				
Door Type: French Door - secondary																				
Door Type: Residential Door	✓																			
Door Type: Residential Door																				
Operation: Handle																				
Operation: Handle																				
Operation: Cylinder	✓	✓	✓	✓																
Operation: Cylinder																				
Spindle: Standard	✓	✓	✓	✓																
Spindle: Standard																				
Spindle: Split																				
Spindle: Split																				
Spindle: Twin																				
Spindle: Twin																				
Locking Points: Shootbolts																				
Locking Points: Shootbolts																				
Locking Points: Pins	✓																			
Locking Points: Pins																				
Locking Points: Hooks	✓																			
Locking Points: Hooks																				
Locking Points: Mushroom Camms																				
Locking Points: Mushroom Camms																				
Locking Points: Roller Camms																				
Locking Points: Roller Camms																				
Locking Points: Latch and Deadbolt	✓	✓	✓	✓																
Locking Points: Latch and Deadbolt																				
Locking Points: Additional Deadbolt	✓																			
Locking Points: Additional Deadbolt																				
Locking Points: Pullman Latch																				
Locking Points: Pullman Latch																				



ProSecure Multipoint Door Lock



2 Hook, 2 Anti-lift pin, 2 Roller - for Residential & French Doors

PRODUCT INFORMATION

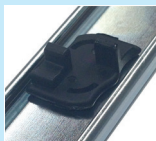
- Extendable multipoint door lock for residential and French doors
- 2 upward locking hooks provide enhanced security
- 2 independent pins, which engage when the hooks are thrown, provide anti-lift protection
- 2 pre-compression roller cams, located top and bottom, provide enhanced weather sealing, smooth operation and hook engagement
- Pre-compression roller cams +/- 1mm adjustable
- Locking points can withstand an applied load in excess of 7.5kN
- Option of shootbolts top & bottom to provide enhanced security
- Option of normal or dual function gearbox (standard or split spindle)
- Tested to PAS 24 for enhanced security
- Tested to BSEN 1670: grade 4 achieving 240 hour corrosion resistance
- Tested to BS 6375-1 for weathertightness
- Tested to BS 6375-2 in excess of 50,000 cycles for operation reliability
- Police preferred specification - Secured by Design approved product

PROSECURE ONE-PIECE STRIKER

PAGE
271

- Unique c-section design allows packers to 'twist 'n' clip' securely into place
- Achieves PAS24: 2016 enhanced security standard without the need for additional security plates

TWIST & CLIP PACKERS



Place packer into
'C' shaped channel



Twist into place...



...and clip to secure

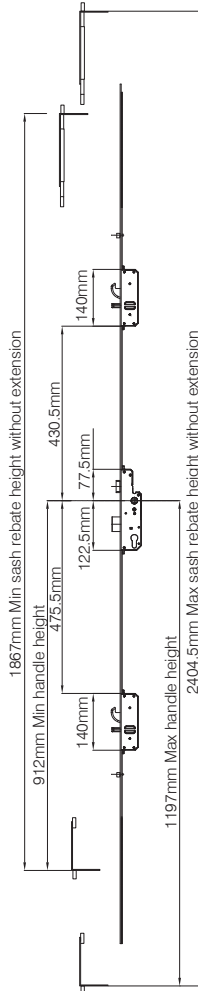
ProSecure Multipoint Door Lock

2 Hook, 2 Anti-Lift Pins, 2 Roller - for Residential & French Doors

Door
Locks



TECHNICAL DRAWINGS



GUARANTEES



CLOSE-UP



PART NUMBERS

Description	Operation	Backset	Locking Points	Length	Part Number
ProSecure Multipoint Door Lock	Lever/Lever	35mm	2 hooks, 2 anti-lift pins, 2 rollers	2120mm	047250
ProSecure Multipoint Door Lock	Dual function	35mm	2 hooks, 2 anti-lift pins, 2 rollers	2120mm	047251



ProSecure Multipoint Door Lock



2 Hook, 2 Anti-Lift Pin, 4 Roller - for Residential & French Doors

PRODUCT INFORMATION



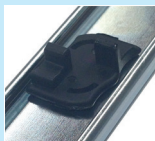
- Extendable multipoint door lock for residential or French doors
- 2 upward locking hooks provide enhanced security
- Locking points can withstand an applied load of 7.5kN
- 2 independent pins, that engage when the hooks are thrown, provide anti-lift protection
- For enhanced weather sealing, smooth operation and hook engagement, pre-compression roller cams are located top and bottom
- Pre-compression roller cams +/- 1mm adjustable
- Option of normal or dual function gearbox (standard or split spindle)
- Option of shootbolts top & bottom
- Tested to PAS 24 for enhanced security
- Tested to BSEN 1670: grade 4 achieving 240 hour corrosion resistance
- Tested to BS 6375-1 for weathertightness
- Tested to BS 6375-2 in excess of 50,000 cycles for operation reliability
- Police preferred specification - Secured by Design approved

PROSECURE ONE-PIECE STRIKER

PAGE
271

- Unique c-section design allows packers to 'twist 'n' clip' securely into place
- Achieves PAS24: 2016 enhanced security standard without the need for additional security plates

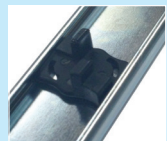
TWIST & CLIP PACKERS



Place packer into
'C' shaped channel



Twist into place...



...and clip to secure

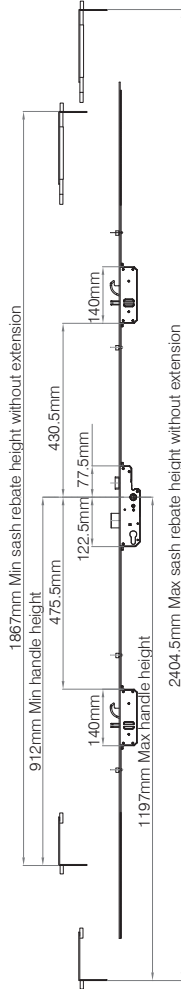
ProSecure Multipoint Door Lock

2 Hook, 2 Anti-Lift Pins, 4 Roller - for Residential & French Doors

Door
Locks



TECHNICAL DRAWINGS



GUARANTEES



Secured by Design



Police Preferred Specification

CLOSE-UP



PART NUMBERS

Description	Operation	Backset	Locking Points	Length	Part Number
ProSecure Multipoint Door Lock	Lever/Lever	35mm	2 hooks, 2 anti-lift pins, 4 rollers	2200mm	047252
ProSecure Multipoint Door Lock	Dual function	35mm	2 hooks, 2 anti-lift pins, 4 rollers	2200mm	047253



ProSecure Multipoint Door Lock



2 Hook, 2 Anti-Lift Pin, 4 Roller - for Standard Residential Doors

PRODUCT INFORMATION



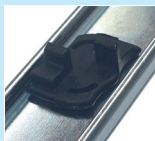
- Multipoint door lock for standard residential doors
- 2 upward locking hooks provide enhanced security
- Locking points can withstand an applied load of 7.5kN - and still operate
- 2 independent pins, that engage when the hooks are thrown, provide anti-lift protection
- For enhanced weather sealing, smooth operation and hook engagement, pre-compression roller cams are located top and bottom
- Pre-compression roller cams +/- 1mm adjustable
- Option of normal or dual function gearbox (standard or split spindle)
- Tested to PAS 24 for enhanced security
- Tested to BSEN 1670: grade 4 achieving 240 hour corrosion resistance
- Tested to BS 6375-1 for weathertightness
- Police preferred specification - Secured by Design approved

PROSECURE ONE-PIECE STRIKER

PAGE
271

- Unique c-section design allows packers to 'twist 'n' clip' securely into place
- Achieves PAS24: 2016 enhanced security standard without the need for additional security plates

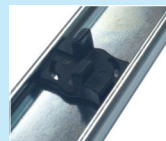
TWIST & CLIP PACKERS



Place packer into
'C' shaped channel



Twist into place...



...and clip to secure

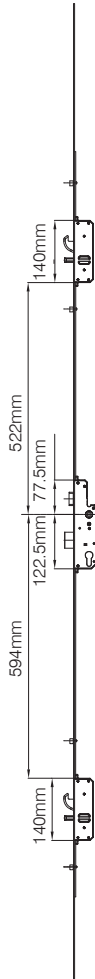
ProSecure Multipoint Door Lock

2 Hook, 2 Anti-Lift Pins, 4 Roller - for Standard Residential Doors

Door
Locks



TECHNICAL DRAWINGS



GUARANTEES

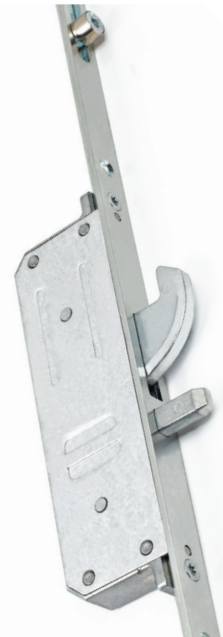


Secured by Design



Police Preferred Specification

CLOSE-UP



PART NUMBERS

Description	Operation	Backset	Locking points	Length	Part Number
ProSecure Multipoint Door Lock	Lever/Lever	35mm	2 hooks, 2 anti-lift pins, 4 rollers	2120mm	047254
ProSecure Multipoint Door Lock	Dual function	35mm	2 hooks, 2 anti-lift pins, 4 rollers	2120mm	047255



ProSecure Multipoint Door Lock

Secondary Lock



PRODUCT INFORMATION



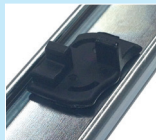
- ProSecure secondary lock is designed for use on the secondary leaf of a pair of french doors
- Tooth couplings, top & bottom, allow easy fitting of shootbolts
- Shootbolts secure into adjustable french door strikers for optimum compression at the top and bottom of the door
- Enhanced security shootbolts are also available featuring a "return" for additional screw fixing into the sash
- Tested to PAS 24 for enhanced security
- Tested to BSEN 1670: grade 4 achieving 240 hour corrosion resistance
- Tested to BS 6375-1 for weathertightness
- Tested to BS 6375-2 in excess of 50,000 cycles for operation reliability
- Police preferred specification - Secured by Design approved product

PROSECURE ONE-PIECE STRIKER

PAGE
271

- Unique c-section design allows packers to 'twist 'n' clip' securely into place
- Achieves PAS24: 2016 enhanced security standard without the need for additional security plates

TWIST & CLIP PACKERS



Place packer into 'C' shaped channel



Twist into place...



...and clip to secure

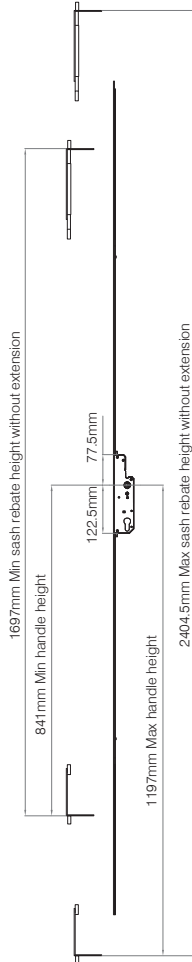
ProSecure Multipoint Door Lock

Secondary Lock

Door
Locks



TECHNICAL DRAWINGS



GUARANTEES



Secured by Design



Police Preferred Specification

SHOOTBOLTS
See our range of shootbolts on
pages 227- 231

from
PAGE
269

PART NUMBERS

Description	Operation	Backset	Locking points	Length	Part Number
ProSecure secondary lock	Lever/lever	35mm	-	-	047210



ProSecure Multipoint Door Lock

Composite & Timber, 2 Hook



PRODUCT INFORMATION



- Multipoint lock for composite and timber doors
- 2 opposing hooks provide enhanced security
- Locking points can withstand an applied load in excess of 7.5kN
- Option of normal or dual function gearbox (standard or split spindle)
- Tested to PAS 24 for enhanced security
- Tested to BSEN 1670: grade 4 achieving 240 hour corrosion resistance
- Tested to BS 6375-1 for weathertightness
- Tested to BS 6375-2 in excess of 50,000 cycles for operational reliability
- Police preferred specification - Secured by Design approved product

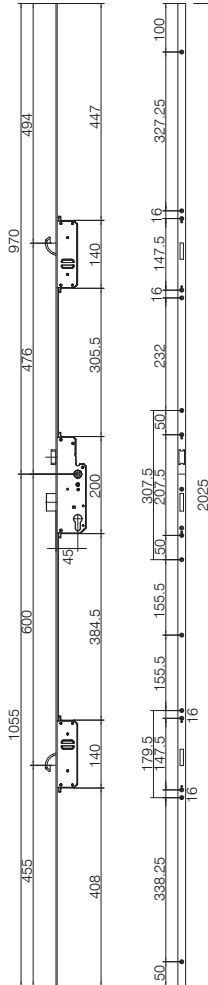
ProSecure Multipoint Door Lock

Composite & Timber, 2 Hook

Door
Locks



TECHNICAL DRAWINGS



GUARANTEES



PART NUMBERS

Description	Operation	Backset	Locking points	Length	Part Number
ProSecure 2 Hook	Lever/lever	45mm	2 hook	2025mm	047284



LockMaster PLSP143

2 Hook, 2 Anti-Lift Pin, 4 Roller



PRODUCT INFORMATION



- Extendable multipoint lock for residential and French doors
- 2 upward locking hooks
- 2 anti-lift pins which automatically engage when hooks are thrown, providing enhanced security
- 4 pre-compression roller cams for enhanced sealing and compression
- Roller cams travel before hooks to ensure smooth operation
- Centre latch and deadbolt
- Reversible latch for left or right handed doors
- Police preferred specification - Secured by Design approved product
- Option of 92 PZ or 92/62 PZ (standard & twin spindle)
- Option of shootbolts top & bottom

Striker Options Include

- Individual centre latch & dead bolt striker, 2 x combined hook, pin and roller cam strikers
Or
- Standard one piece striker
Or
- Enhanced security one piece striker supplied with apertures for through fixing of frame to brickwork without the need to remove the striker

CLOSE-UP



Roller Cam



Deadbolt

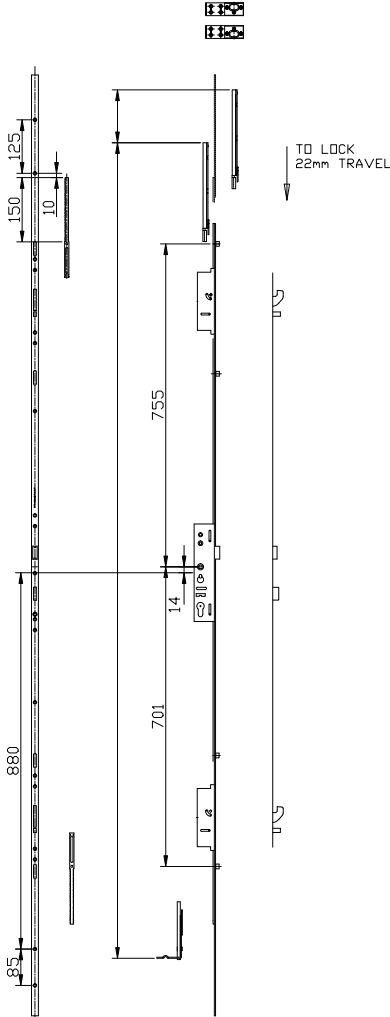
LockMaster PLSP143

2 Hook, 2 Anti-Lift Pin, 4 Roller

Door
Locks



TECHNICAL DRAWINGS



GUARANTEES



Secured by Design



Police Preferred Specification

See our range of shootbolts

from
PAGE
262

PART NUMBERS

Description	Operation	Backset	Locking points	Part Number
PLSP143-19	Single Spindle	35mm	2 hooks, 2 anti-lift pins, 4 rollers	041123



LockMaster PL143 HK

3 Hook, 2 Anti-Lift Pin, 4 Roller



PRODUCT INFORMATION



- Extendable multipoint door lock suitable for residential and French doors
- 2 upward locking hooks
- 2 anti-lift pins which automatically engage when hooks are thrown, providing enhanced security
- 2 pre-compression roller cams, with 22mm travel, for enhanced sealing and compression
- Centre latch and hook
- Roller cams travel before hooks to ensure smooth operation
- Reversible latch for left or right handed doors
- Option of 92 PZ or 92/62 PZ (Standard or twin spindle)
- Option of shootbolts top & bottom
- LockMaster profile specific packer system allow strikers to be fitted to any PVCu profile

Striker Options Include

- Individual centre latch & dead bolt striker, 2 x combined hook, pin and roller cam strikers
Or
- Standard one piece striker
Or
- Enhanced one piece striker supplied with apertures for through fixing of frame to brickwork without the need to remove the striker

PART NUMBERS

Description	Version	Backset	Locking Points	Part Numbers
PL143HK	Twin Spindle or Single Spindle	35mm	3 hooks, 2 anti-lift pins, 4 rollers	041122

See our range of shootbolts

from
PAGE
262

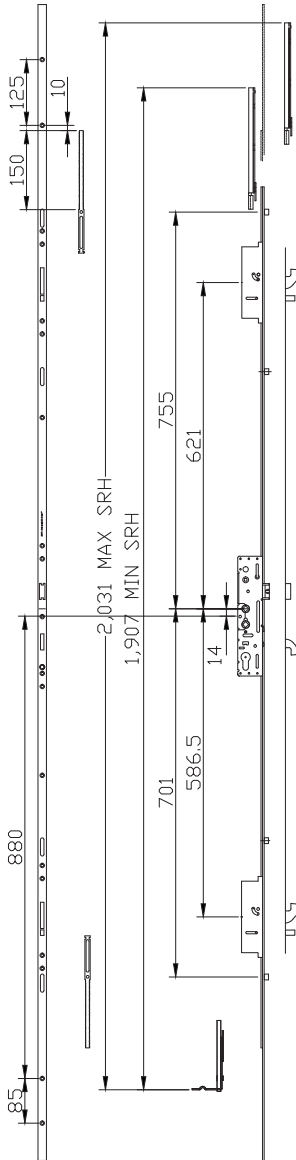
LockMaster PL143 HK

3 Hook, 2 Anti-Lift Pin, 4 Roller

Door
Locks



TECHNICAL DRAWINGS



GUARANTEES



Secured by Design



Police Preferred Specification

CLOSE-UP



Hook and pin



Roller Cam



LockMaster PLSP45 (PL45)

2 Hook, 2 Anti-Lift Pin, 2 Roller



PRODUCT INFORMATION



- Extendable multipoint door lock suitable for residential and French doors
- 2 upward locking hooks
- 2 anti-lift pins which automatically engage when hooks are thrown, providing enhanced security
- 2 pre-compression roller cams, with 22mm travel, for enhanced sealing and compression
- Roller cams travel before hooks to ensure smooth operation
- Reversible latch for left or right handed doors
- Option of 92 PZ or 92/62 PZ (Standard or twin spindle)
- Option of shootbolts top & bottom
- Lockmaster profile specific packer system allow strikers to be fitted to any PVCu profile

Striker Options Include

- Individual centre latch & dead bolt striker, 2 x combined hook, pin and roller cam strikers
Or
- Standard one piece striker
Or
- Enhanced one piece striker supplied with apertures for through fixing of frame to brickwork without the need to remove the striker

CLOSE-UP



Roller Cam



Deadbolt

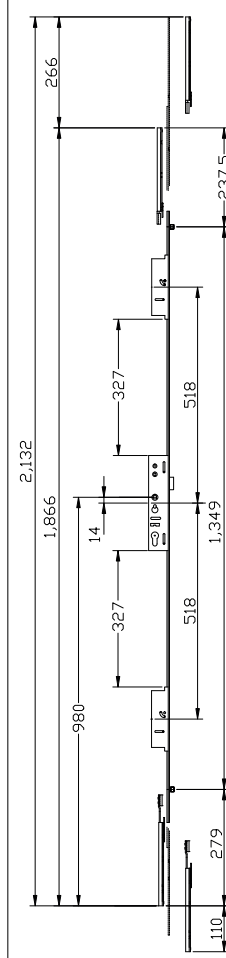
LockMaster PLSP45 (PL45)

2 Hook, 2 Anti-Lift Pin, 2 Roller

Door
Locks



TECHNICAL DRAWINGS



GUARANTEES



PART NUMBERS

Description	Operation	Backset	Locking Points	Part Number
PLSP45	Single Spindle	35mm	2 hooks, 2 anti-lift pins, 2 rollers	041196P
PL45	Twin Spindle	35mm	2 hooks, 2 anti-lift pins, 2 rollers	041120P



LockMaster PLSP13-2ER (PL13-2ER)

2 Hook, 2 Pin, 4 Roller



PRODUCT INFORMATION



- Multipoint door lock suitable for residential doors
- 2 upward locking hooks
- 2 anti-lift pins which automatically engage when hooks are thrown, providing enhanced security
- 2 pre-compression roller cams, with 22mm travel, for enhanced sealing and compression
- Roller cams travel before hooks to ensure smooth operation
- Reversible latch for left or right handed doors
- Option of 92 PZ or 92/62 PZ (Standard or twin spindle)
- Lockmaster profile specific packer system allow strikers to be fitted to any PVCu profile

Striker Options Include

- Individual centre latch & dead bolt striker, 2 x combined hook, pin and roller cam strikers
Or
- Standard one piece striker
Or
- Enhanced security one piece striker supplied with apertures for through fixing of frame to brickwork without the need to remove the striker

CLOSE-UP



Roller Cam



Centre Latch & Deadbolt

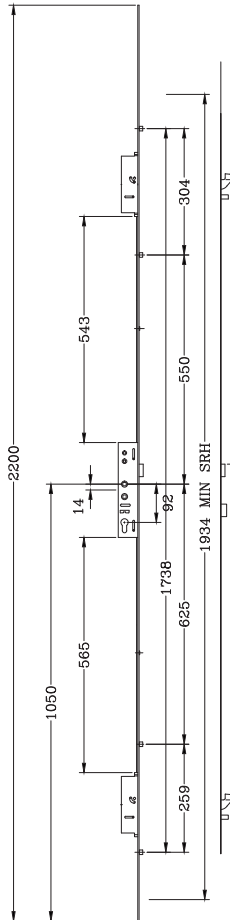
LockMaster PLSP13-2ER (PL13-2ER)

2 Hook, 2 Pin, 4 Roller

Door
Locks



TECHNICAL DRAWINGS



GUARANTEES



Secured by Design



Police Preferred Specification

PART NUMBERS

Description	Operation	Backset	Locking Points	Part Number
PLSP13-2ER	Single Spindle	35mm	2 hooks, 2 anti-lift pins, 4 rollers	P041016
PL13-2ER	Twin Spindle	35mm	2 hooks, 2 anti-lift pins, 4 rollers	041025



LockMaster PLSP100

2 Hook, 2 Pin, 4 Roller



PRODUCT INFORMATION



- Extendable multipoint lock suitable for all common applications - front door lever/lever or lever/pad, back door lever/lever or French door primary leaf
- Suitable for use on PVCu doors
- 2 upward locking hooks
- 2 anti-lift pins which automatically engage when hooks are thrown, providing enhanced security
- 4 pre-compression roller cams for enhanced sealing and compression
- Roller cams travel before hooks to ensure smooth operation
- Reversible latch for left or right handed doors
- 35mm backset (45mm special order)
- 16mm faceplate (20mm special order)
- Option of 92 PZ or 92/62 PZ (standard or twin spindle)
- Option of shootbolts top & bottom

Striker Options Include

- Individual centre latch & dead bolt striker, 2 x combined hook, pin and roller cam strikers
Or
- Standard one piece striker
Or
- Enhanced one piece striker supplied with apertures for through fixing of frame to brickwork without the need to remove the striker

CLOSE-UP



Roller Cam



Centre Latch & Deadbolt

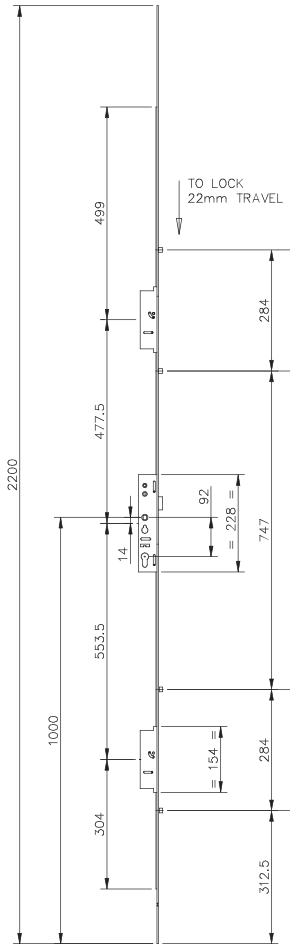
LockMaster PLSP100 (PL100)

2 Hook, 2 Pin, 4 Roller

Door
Locks



TECHNICAL DRAWINGS



GUARANTEES



Secured by Design



Police Preferred Specification

See our range of shootbolts

from
PAGE
262

PART NUMBERS

Description	Operation	Backset	Locking points	Part numbers
PL100	Twin Spindle	35mm	2 hooks, 2 anti-lift pins, 4 rollers	041020
PLSP100	Single Spindle	35mm	2 hooks, 2 anti-lift pins, 4 rollers	041000



LockMaster PLSP105 (PL105)



3 Deadbolt

PRODUCT INFORMATION



- Multipoint residential door lock
- Reversible latch to suit both left and right handed doors
- Centre deadbolt with hardened anti-saw pins
- 2 x additional deadbolts positioned top and bottom
- 35mm backset
- 16mm faceplate
- Option of 92 PZ or 92/62 PZ (standard or twin spindle)

CLOSE-UP



Centre Latch & Deadbolt

LockMaster PLSP105 (PL105)

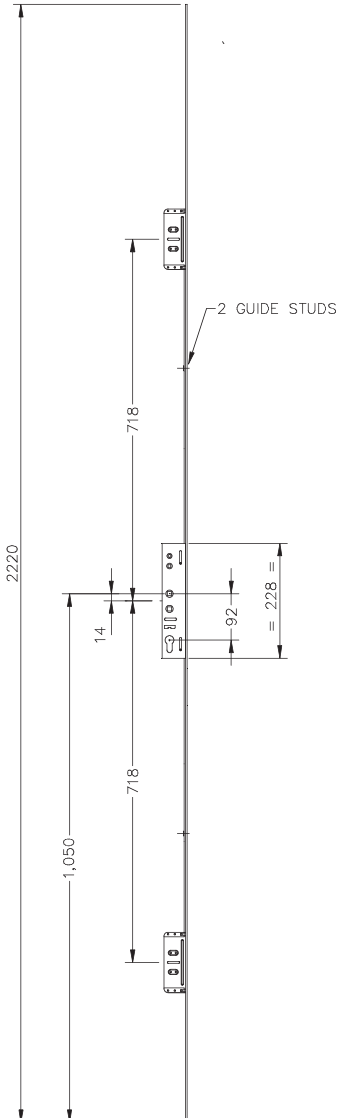
3 Deadbolt

Door
Locks



TECHNICAL DRAWINGS

GUARANTEE



PART NUMBERS

Description	Operation	Backset	Locking points	Part numbers
PLSP105	Single Spindle	35mm	3 deadbolts	041008
PL105	Twin Spindle	35mm	3 deadbolts	041028



LockMaster PLSP11 (PL11)

4 Roller



PRODUCT INFORMATION



- Multipoint residential door lock
- 4 pre-compression roller cams for enhanced sealing and compression
- Reversible latch to suit both left and right handed doors
- Deadbolt with hardened anti-saw pins
- 35mm backset
- 16mm faceplate
- Option of 92 PZ or 92/62 PZ (standard or twin spindle)

CLOSE-UP



Centre Latch & Deadbolt

LockMaster PLSP11 (PL11)

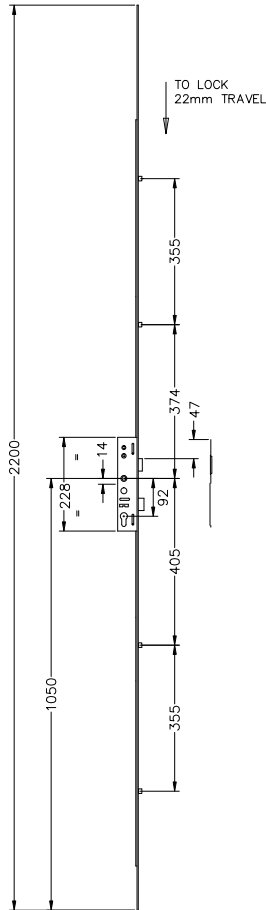
4 Roller

Door
Locks



TECHNICAL DRAWINGS

GUARANTEE



PART NUMBERS

Description	Operation	Backset	Locking points	Part numbers
PLSP11	Single Spindle	35mm	4 rollers, deadbolt centre case	041010
PL11	Twin Spindle	35mm	4 rollers, deadbolt centre case	041030



LockMaster PLSP104

2 Roller



PRODUCT INFORMATION



- Extendable multipoint lock for residential or French doors
- 2 pre-compression roller cams for enhanced sealing and compression
- Reversible latch to suit both left and right handed doors
- Deadbolt with hardened anti-saw pins
- 35mm backset
- 16mm faceplate
- Option of 92 PZ or 92/62 PZ (standard or twin spindle)

CLOSE-UP



Deadbolt

See our range of shootbolts

from
PAGE
262

LockMaster PLSP104

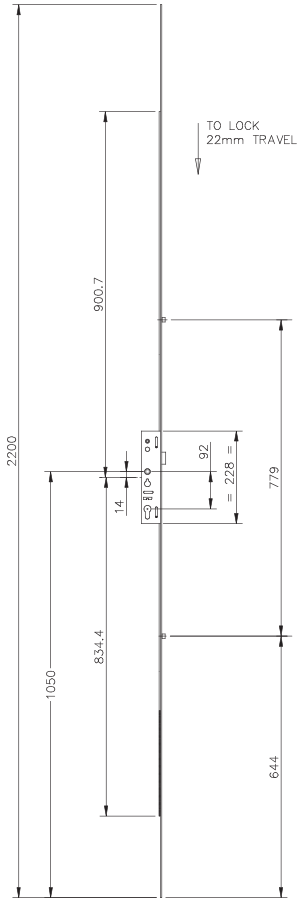
2 Roller

Door
Locks



TECHNICAL DRAWINGS

GUARANTEE



PART NUMBERS

Description	Operation	Backset	Locking points	Part numbers
PLSP104	Single Spindle	35mm	2 rollers, deadbolt centrecase	041006



LockMaster PLSP30 (PL30)



Secondary Lock

PRODUCT INFORMATION



- Extendable secondary lock suitable for use on the secondary leaf of a pair of French doors
- Tooth couplings enable the addition of shootbolts top & bottom
- Shootbolts secure into adjustable French door strikers for optimum compression at the top and bottom of the door
- Smooth lever/lever operation
- 35mm backset
- 16mm faceplate
- PZ 92
- Enhanced security shootbolts are also available featuring a "return" for additional screw fixing into the sash

CLOSE-UP



Handle operated shootbolt locking

See our range of shootbolts

from
PAGE
262

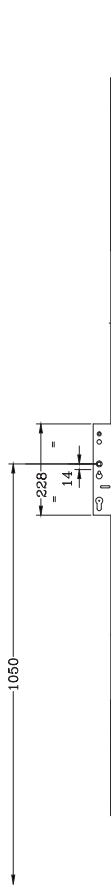
LockMaster PLSP30 (PL30)

Secondary Lock

Door
Locks



TECHNICAL DRAWINGS



GUARANTEES



Secured by Design



Police Preferred Specification

PART NUMBERS

Description	Operation	Backset	Locking Points	Part Numbers
PLSP30 - Secondary lock	Single Spindle	35mm	Latch, deadbolt	041048P
PL30 - Secondary lock	-	35mm	Latch, deadbolt	041045



LockMaster PL85

Composite Door Lock



PRODUCT INFORMATION



- Multipoint lock for composite doors
- 45mm wide coloured faceplate replaces requirement for edging strip on composite doors
- 2 upward locking hooks for anti-separation protection
- Deadbolt centre designed specifically for 44mm thick composite doors
- Aluminium or PVCu faceplates are available in either white or brown
- Reversible latch to suit both left and right handed doors
- 35mm backset
- PZ 92 centre case

CLOSE-UP



Option of brown or white faceplate



Hooks for enhanced security



45mm Backset, PZ 92



LockMaster PLSP18 (PL18)

For Composite & Timber



PRODUCT INFORMATION



- Multipoint lock for composite and timber doors
- 2 hooks, latch and deadbolt combination provide enhanced security
- 35mm and 45mm backset
- 16mm or 20mm faceplate with square or radius ends
- Normal or twin spindle gearbox
- Tested to PAS 24 for enhanced security
- Tested to BSEN 1670: grade 4 achieving 240 hours corrosion resistance
- Tested to BS 6375-1 for weathertightness
- Tested to BS 6375-2 in excess of 50,000 cycles for operational reliability
- Police preferred specification - Secured by Design approved product

CLOSE-UP



Hook & pin



Centre Latch & deadbolt

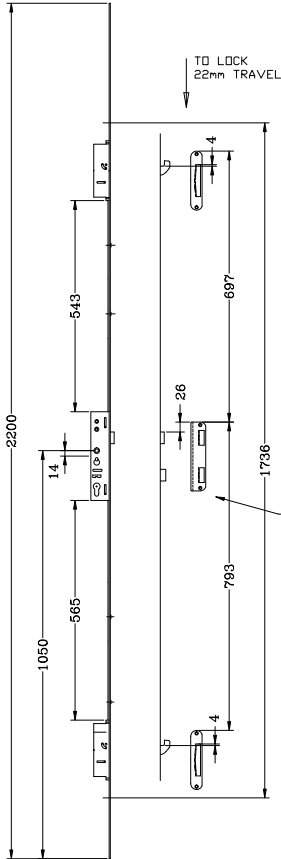
LockMaster PLSP18 (PL18)

For Composite & Timber

Door
Locks



TECHNICAL DRAWINGS



GUARANTEES



PART NUMBERS

Description	Operation	Faceplate	Backset	Locking Points	Ends	Part Numbers
PLSP18	Single Spindle	16	35	2 Hook	Square	041195
PLSP18	Single Spindle	16	45	2 Hook	Square	041191
PLSP18	Single Spindle	20	45	2 Hook	Square	041192
PLSP18	Single Spindle	20	45	2 Hook	Radius	041193
PLSP18	Single Spindle	20	35	2 Hook	Radius	041198



YLKT45-TH20

Townhouse Lock



PRODUCT INFORMATION



- Key operated multipoint residential door lock
- Locking points are thrown and locked by operation of the key
- Designed to suit a wide variety of furniture
- 20mm faceplate
- 45mm backset
- Tested in excess of 200,000 cycles
- BS EN 1670 accredited, salt spray tested to 240 hours
- PAS 24:2012 accredited
- Designed and manufactured in the UK

CLOSE-UP



Hook & pin



Key operated

Yale YLKT45-TH20

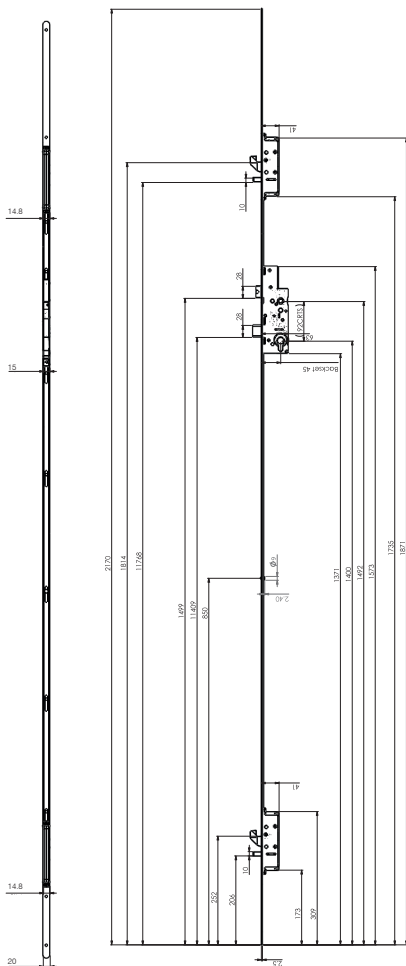
Townhouse Lock

Door
Locks



TECHNICAL DRAWINGS

GUARANTEES



Secured by Design



Police Preferred Specification

PART NUMBERS

Description	Operation	Backset	Locking Points	Part Numbers
Yale Townhouse Lock	Key	45mm	2 hooks, 2 anti-lift pins	041503

AS 7370

2 Pin

PRODUCT INFORMATION



- Extendable multipoint lock for residential and French doors
- 2 pins
- Pins throw 20mm
- Reversible latch to suit both left and right handed doors
- Anti-saw deadbolt
- 35mm and 45mm backset options
- 16mm faceplate
- PZ 92
- Lever/lever operation

For use with KFV Hurricane Lock AS 7006

- Locking system for timber & composite double doors
- Removes the need for a false mullion

PAGE
239

AS 7370

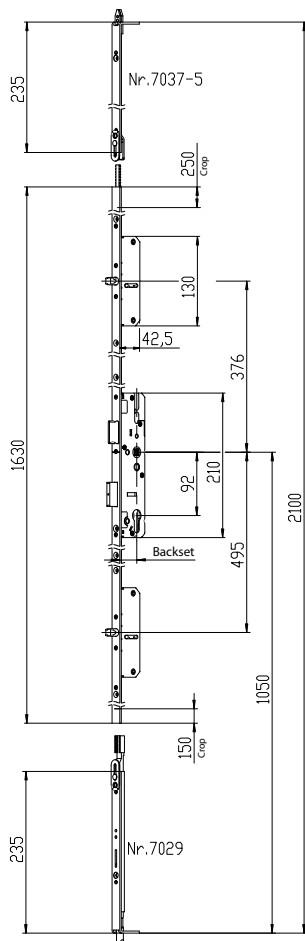
2 Pin

Door
Locks



TECHNICAL DRAWINGS

GUARANTEE



PART NUMBERS

Description	Operation	Backset	Locking points	Part numbers
AS 7370	Lever/lever	35	2 pin, latch & deadbolt	046214
AS 7370	Lever/lever	45	2 pin, latch & deadbolt	046224

AS 7970

2 Hook

PRODUCT INFORMATION



- Extendable multipoint lock for residential doors
- 2 hardened steel hooks
- Reversible latch to suit both left and right handed doors
- Anti-saw deadbolt
- 28mm and 35mm backset options
- 16mm faceplate
- Pz 92
- Operation: lever/lever

For use with KFV Hurricane Lock AS 7006

- Locking system for timber & composite double doors
- Removes the need for a false mullion

PAGE
239

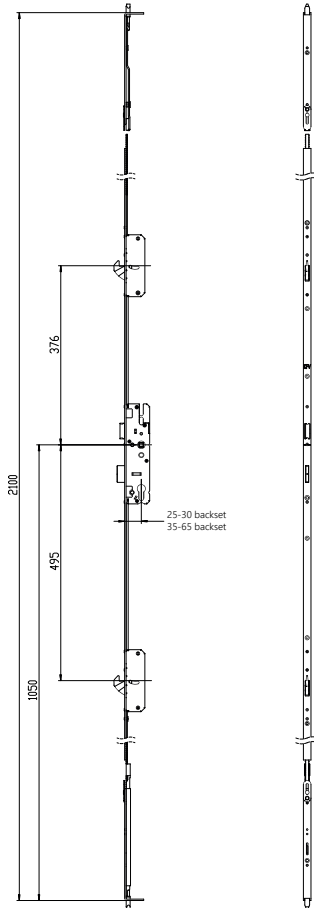
AS 7970

2 Hook

Door
Locks



TECHNICAL DRAWINGS



GUARANTEE



See our range of shootbolts

from
PAGE
262

PART NUMBERS

Description	Operation	Backset	Locking points	Part Numbers
AS 7970	Single Spindle	28mm	2 hooks	047841
AS 7970	Single Spindle	35mm	2 hooks	047910



Hurricane Lock AS 7006

Secondary Lock for Timber

PRODUCT INFORMATION



- Extendable multipoint lock for timber and composite double door systems
- Tested to withstand Dade County (Florida) Hurricane Tests
- Achieve double door security with 4 shootbolts, 2 hooks, latch and deadbolt
- 45mm backset
- Locking points maintain integrity of door sash and help prevent twisting or warping
- 20 mm throw of shootbolts (laminated steel)
- 21mm throw of hooks (hardened steel)
- 16mm deadbolt throw with anti-saw protection
- Universal routing for both door sashes means handing can be changed without additional work to lock preparation
- Complies with MLA/ABI minimum insurance requirements
- Door cannot be locked until secondary door is secured, ensuring both doors are fully secured every time they are closed
- Secondary door cannot be accidentally unlocked as primary door also has a secondary lock retaining function which locks into secondary door lock
- PZ 92

KFV Hurricane Lock AS 7006

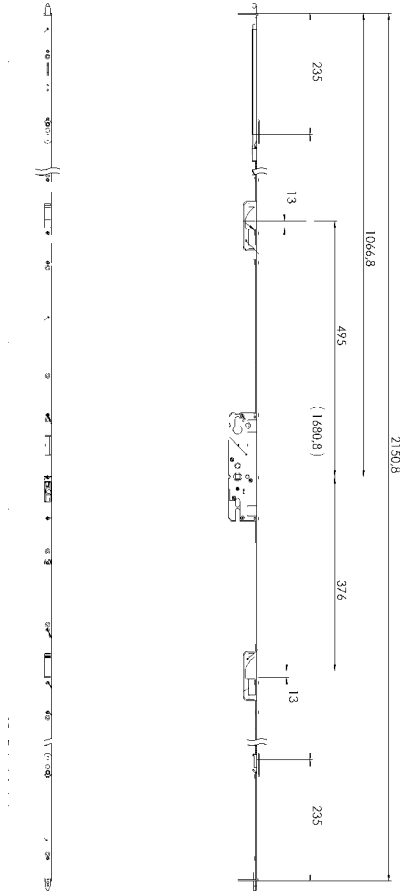
Secondary Lock for Timber

Door
Locks



TECHNICAL DRAWINGS

GUARANTEE



See our range of shootbolts

from
PAGE
262

PART NUMBERS

Description	Operation	Backset	Locking points	Part numbers
Hurricane Lock AS7006	Single Spindle	45mm	4 shootbolts, 2 hooks, latch and deadbolt	046080



AS 4900

2 Hook

PRODUCT INFORMATION



- Multipoint residential door lock
- 2 hardened steel hooks
- Reversible latch to suit both left and right handed doors
- Anti-saw deadbolt
- 35mm backset
- 16mm faceplate
- PZ 92
- Operation: lever/lever

CLOSE-UP



AS 4900

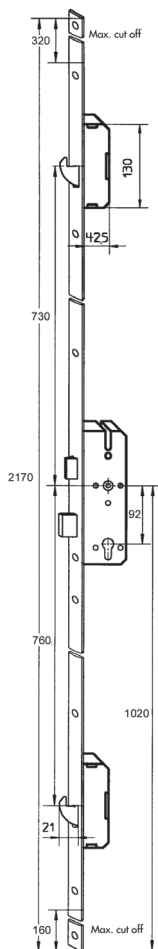
2 Hook

Door
Locks



TECHNICAL DRAWINGS

GUARANTEE



PART NUMBERS

Description	Operation	Backset	Locking points	Part numbers
AS4900 Multipoint Lock	Single Spindle	35	2 hooks	047787



AS 4350

2 Pin

PRODUCT INFORMATION



- Multipoint residential door lock
- 2 hardened steel pins to protect against sawing
- Reversible latch to suit both left and right handed doors
- Anti-saw deadbolt
- 28mm, 35mm, 40mm, 45mm backset options
- 16mm faceplate
- PZ 92
- Operation: lever/lever

CLOSE-UP



AS 4350

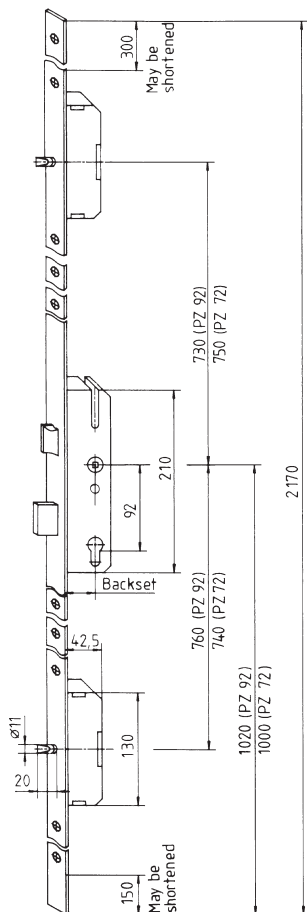
2 Pin

Door
Locks



TECHNICAL DRAWINGS

GUARANTEE



PART NUMBERS

Description	Operation	Backset	Locking points	Part Numbers
AS4350*	Single Spindle	28mm	2 pin	047446
AS4350	Single Spindle	35mm	2 pin	047453
AS4350	Single Spindle	40mm	2 pin	047462
AS4350	Single Spindle	45mm	2 pin	047466

* special order



AS 4050

4 Roller

PRODUCT INFORMATION



- Multipoint residential door lock
- 4 roller cams, compression adjustable +/-1mm
- Reversible latch to suit both left and right handed doors
- Anti-saw deadbolt
- 25mm, 28mm, 30mm, 35mm, 40mm, 45mm backset options
- 16mm faceplate
- PZ 92
- Operation: lever/lever

CLOSE-UP



AS 4050

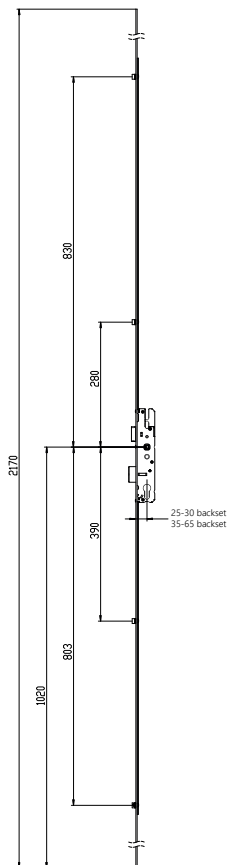
4 Roller

Door
Locks



TECHNICAL DRAWINGS

GUARANTEE



PART NUMBERS

Description	Operation	Backset	Locking points	Part numbers
AS 4050	Single Spindle	25mm	4 Roller Cam	047324
AS 4050	Single Spindle	28mm	4 Roller Cam	047326
AS 4050	Single Spindle	30mm	4 Roller Cam	047334
AS 4050	Single Spindle	35mm	4 Roller Cam	047339
AS 4050	Single Spindle	40mm	4 Roller Cam	047344
AS 4050	Single Spindle	45mm	4 Roller Cam	047349

AS 2300

W20 For Stable Doors

PRODUCT INFORMATION



- Stable door locking system
- 2 round bolts/ pins - one on the top half, one on the bottom half
- Reversible latch to suit both left and right handed doors
- Anti-saw deadbolt
- Shootbolt on bottom half to secure into upper leaf
- 35mm backset
- 16mm faceplate
- PZ 92
- Operation: stable door

CLOSE-UP



GUARANTEE



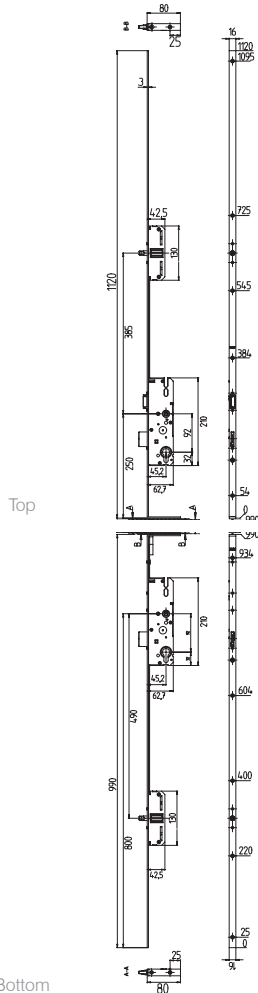
AS 2300

W20 for Stable Doors

Door
Locks



TECHNICAL DRAWINGS



OPERATION

1. To close and lock from inside/outside: close bottom part and thereafter top part, or both parts together
2. Turn cylinder on top part and bottom part
3. Shootbolts and deadbolts engage in strikers. Door is now fully locked
4. To open top door only from inside/outside: turn cylinder on top door. Deadbolt and shootbolt disengage from strikers.
5. Latch can be retracted by handle or cylinder to release top door.
6. To open both top and bottom doors from inside/outside: turn cylinder on bottom door first and then turn cylinder on top door. Deadbolts and shootbolt disengage from strikers.
7. Latch on top door can be retracted by handle or cylinder to release complete door.

PART NUMBERS

Description	Backset	BOM.
AS2300/W20 Stable Door Lock	35mm	KFVSTABLE
Kit includes lock, strikers, packers and escutcheon set		



AS 3500 Automatic Lock

KFV®

Magnetic Technology

PRODUCT INFORMATION



The AS3500 is an automatic multipoint lock for residential doors.

- Two upward locking high security hooks
- Hooks are triggered using magnetic technology without the need for release latches
- Hook travel: 20mm
- Magnetic trigger technology ensures that the hooks are only activated when the patented magnetic trigger is opposite the faceplate
- 16mm stainless steel faceplate
- Standard routing in sash and frame
- Suitable for use with standard strikers for multipoint doors
- Suitable for right or left handed doors

DETAILS



Left: Hook & magnetic
striker

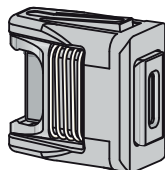
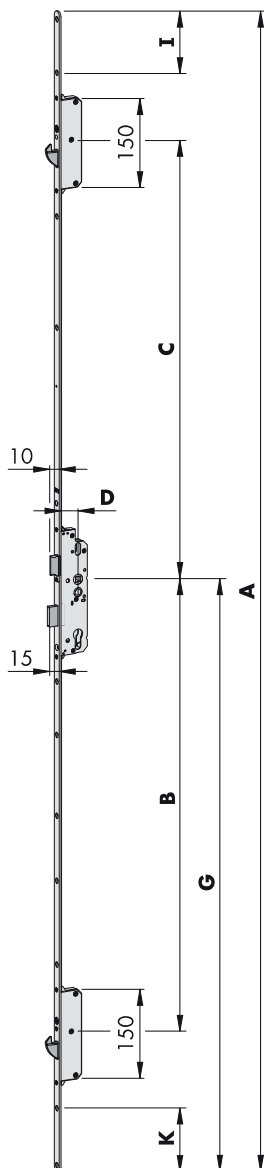
AS 3500 Automatic Lock

Magnetic Technology

Door
Locks



TECHNICAL DRAWINGS



 Magnet

GUARANTEE



Abmessungen (mm)						
B-Ausführung	A	B	C	G	I	K
B001	2170	760	730	1020	290	130
B003	2400	760	980	1020	270	130
B039	1700	760	355	952	263	62
B041	1700	760	605	952	13	62
B166	1855	760	730	952	43	62
B253	2170	760	980	952	108	62
B296	2170	760	355	1020	665	130
B298	2170	760	605	1020	415	130

PART NUMBERS

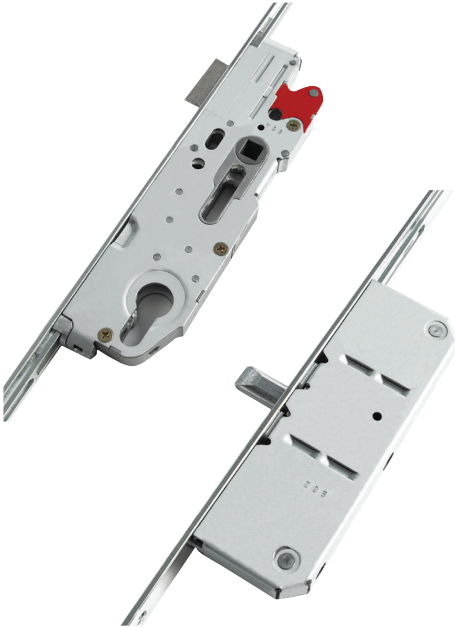
Description		Part Numbers
AS 3500 Stable Door Lock	45mm	047990
Magnetic Hook Striker Plate	-	408097
2 per door required	-	
R/H Striker	-	408099
L/H Striker	-	408098
Magnet	-	409912
2 per door required	-	



Pin Panic Lock

For Emergency Exit

PRODUCT INFORMATION



- Combines enhanced security with emergency exit technology for both single and double doors
- Multipoint locking system
- 2 pins and deadbolt for security
- Pins throw 20mm
- Reversible latch to suit both left and right handed doors
- Anti-saw deadbolt
- Panic bar
- Tested and certified to EN 1125, European standard for Panic Exit Devices
- BS EN 1125 classification: 37601322A
- Kits available for both single and double doors
- Suitable for use on PVCU, timber and aluminium doors
- Internal operation via panic bar
- Panic bar finished in exit green
- External access kit available
- For all applications door will always open from inside to allow emergency egress



MATERIAL SPECIFICATION

Single Doors Rebate Size

Minimum Width 700mm
Maximum Width 2400mm

Double Doors Rebate Size

Minimum Width 1600mm
Maximum Width 2400mm

Single Door/Primary Leaf Specification

35mm backset multipoint lock featuring 2 pins with 20mm throw, reversible latch and deadbolt

Secondary Door Specification

35mm backset secondary door lock with shootbolts top and bottom

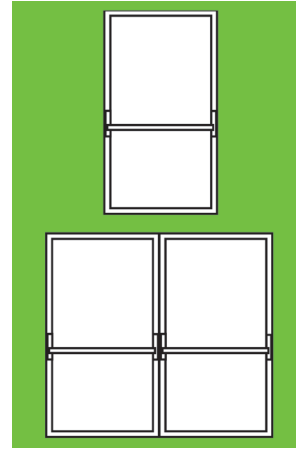
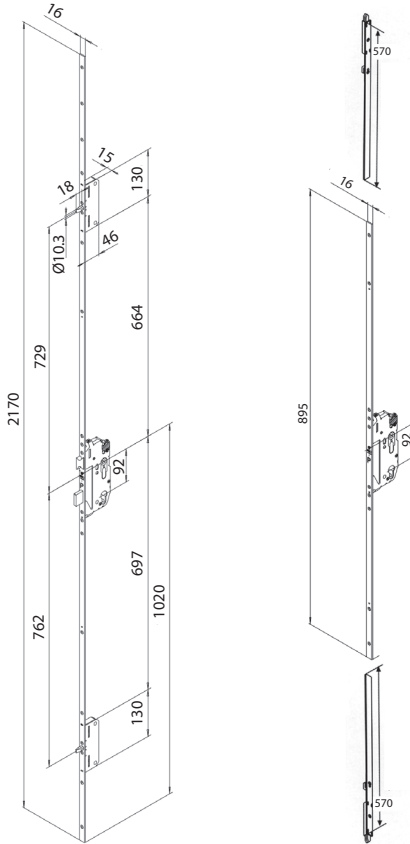
Pin Panic Lock

For Emergency Exit

Door
Locks



TECHNICAL DRAWINGS



Single & double door kits available

PART NUMBERS

Description

Primary/Single Door
Secondary Door
External Access Kit
Door Kit
Door Kit

Part Numbers

043870
043875
043880
PINMASTER
PINSLAVE

GUARANTEE





Surface Mounted Panic Lock

For Emergency Exit

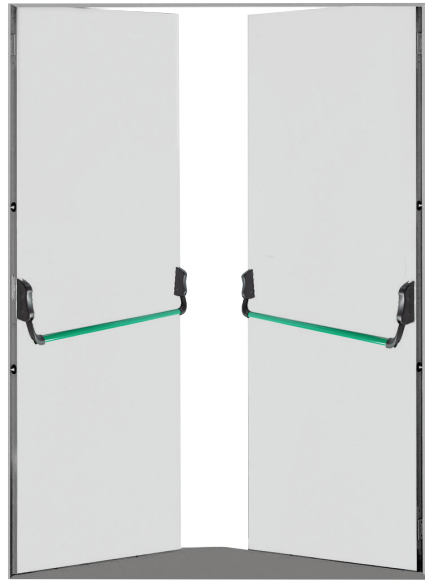
PRODUCT INFORMATION



- Multipoint locking system with surface mounted panic bar kit
- Kits available for both single and double doors
- Single door features 3 horizontal locking bolts
- Double door features 3 horizontal locking bolts on primary leaf and twin vertical bolts on secondary leaf
- Tested and certified to EN 1125, European standard for Panic Exit Devices
- BS EN 1125 classification: 37601322A
- Internal operation via panic bar
- External access kit available



Single Door Kit



Double Door Kit

Surface Mounted Panic Lock

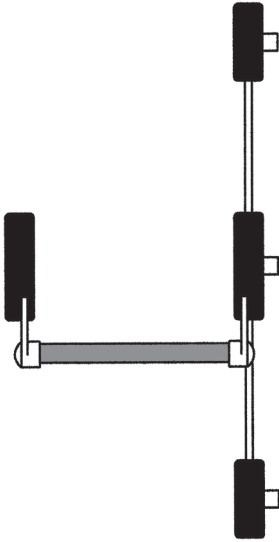
For Emergency Exit

Door
Locks

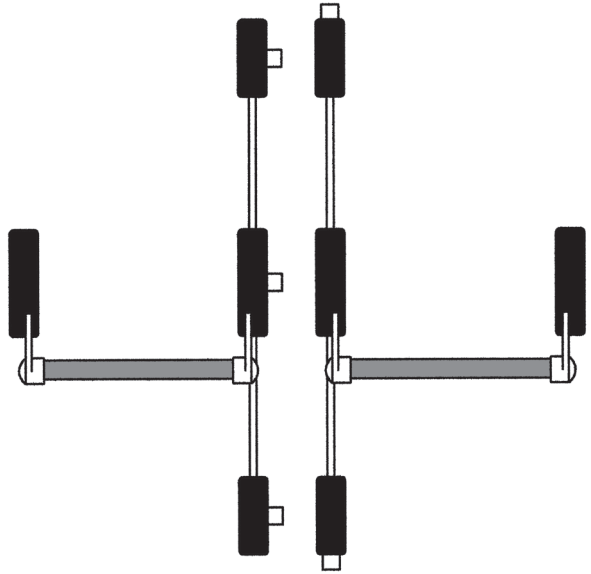


TECHNICAL DRAWINGS

Single Door Kit



Double Door Kit



PART NUMBERS

Description

Primary Panic Door Kit

Secondary Panic Door Kit

External Access Handle - including Cylinder

Panic Door Push Pad

Part Numbers

043961

043971

043980

043983

GUARANTEE





Push Button Lock Kit

Code Lock

PRODUCT INFORMATION



- Heavy duty mechanically coded lock
- Full size lever handles suitable for use in high traffic situations
- Lever handles allow it to be used as the primary lock on most doors
- Functions allow for comprehensive control of the door
- 2047 codes to choose from
- Stainless steel finish
- For use with mortice or multipoint locks a minimum backset of 40mm is required
- We recommend use with a customised 49PZW lock (see page 259) which is available via Mila Technical team



Push Button Lock Kit

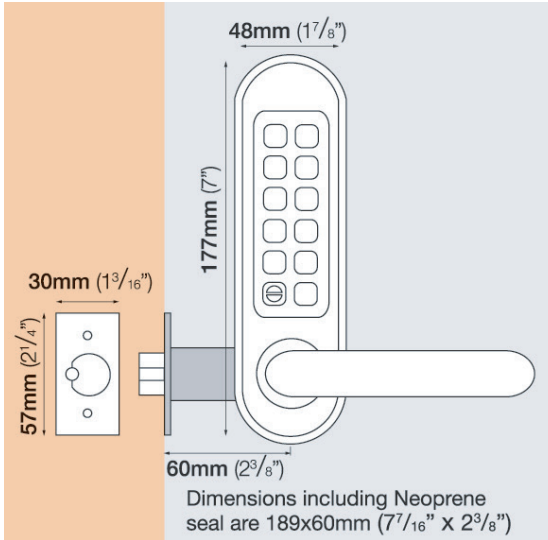
Code Lock

Door
Locks



TECHNICAL DRAWINGS

GUARANTEE



PART NUMBERS

Description

Digital Lock

Extra Length Spindle (60 - 70mm door profiles will require longer handle spindles)

Push button door lock kit

Part Numbers

044711

044719

PBLK1



iDeal Lockcase Range

PRODUCT INFORMATION



- This is a remedial lockcase
- Deadbolt has 18mm single throw
- Deadbolt is protected against sawing with hardened steel pins
- Latchbolt can be operated by handle and deadlocked by cylinder
- 16mm faceplate
- 35mm backsets
- Available in single and twin spindle versions

GUARANTEE

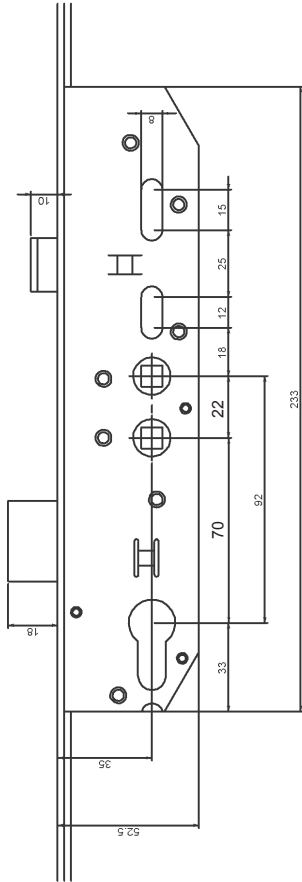


iDeal Lockcase Range

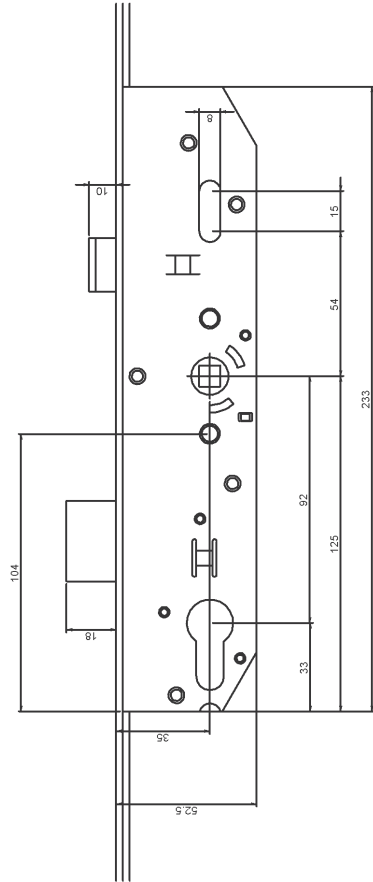
Door
Locks



TECHNICAL DRAWINGS



Lever/Pad



Lever/Lever

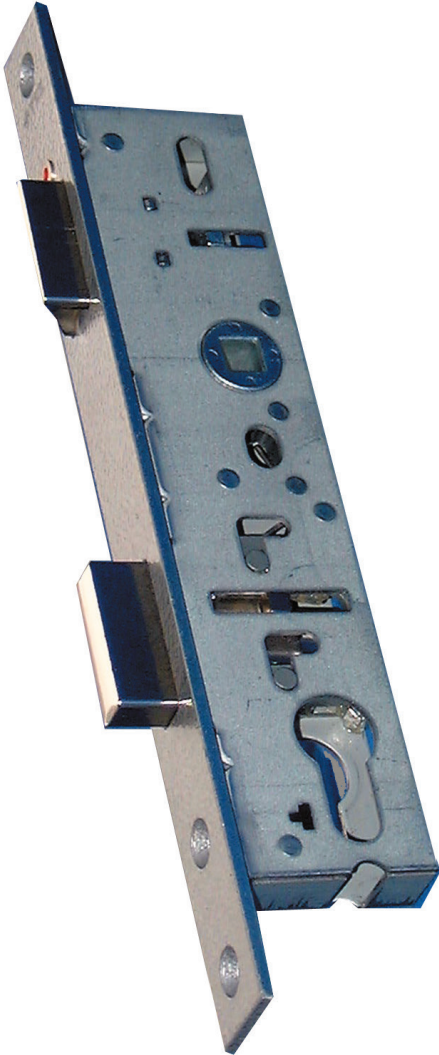
PART NUMBERS

Description	Backset	Operation	PZ	Part Numbers
iDeal lockcase	35	Single Spindle	92	047200
iDeal lockcase	35	Twin Spindle	92/70	047201



49PZW Mortice Lock

PRODUCT INFORMATION



- Security mortice lock
- Deadbolt operated by cylinder
- Deadbolt has 20mm single throw
- Deadbolt is protected against sawing with hardened steel pins
- Latchbolt can be operated by handle or cylinder
- Option of 16mm or 24mm faceplate
- Backsets from 25mm - 45mm
- Suits standard lever/lever or lever/pull pad handles with PZ 92

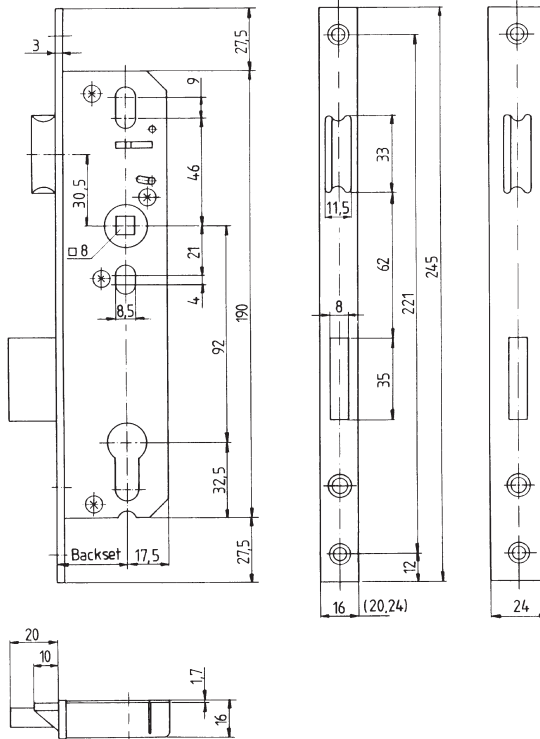
GUARANTEE



49PZW Mortice Lock



TECHNICAL DRAWINGS



PART NUMBERS

Description	Backset (mm)	Finish	Part Number 24mm Faceplate	Part Number 16mm Faceplate
Mortice Lock	25	Zinc plated	-	040708*
Mortice Lock	25	Stainless steel	040701*	-
Mortice Lock	30	Zinc plated	-	040724*
Mortice Lock	30	Stainless steel	040717*	040725*
Mortice Lock	35	Zinc plated	040732*	040740
Mortice Lock	35	Stainless steel	-	040741*
Mortice Lock	40	Zinc plated	040748*	-
Mortice Lock	40	Stainless steel	-	040757*
Mortice Lock	45	Zinc plated	-	040772
Mortice Lock	45	Stainless steel	040765*	040773*

*special order



Electronic Latch

Fail Safe and Fail Secure

PRODUCT INFORMATION



- Electronic latch for residential doors
- Fail safe feature - unlocks in the event of a fire
- Fail secure feature - remains locked in the event of a power cut
- We recommend use with a customised 49PZW lock which is available via Mila Technical team
- Suitable for use with Mila universal latch and deadbolt striker - see page 276

CLOSE-UP



GUARANTEE



PART NUMBERS

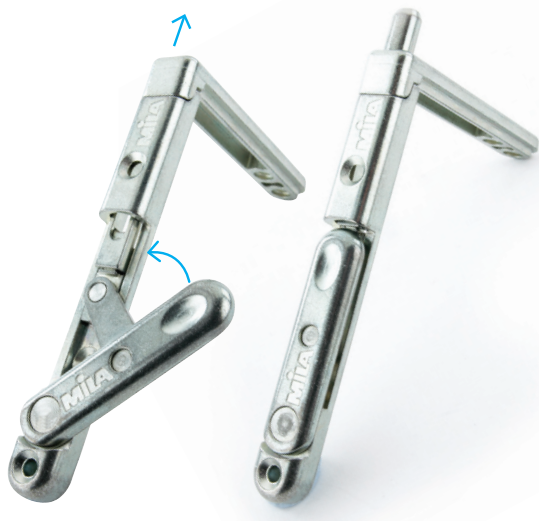
Description	Part Number
Fail Secure	046750
Fail Safe	046751



iDeal Large Shootbolt

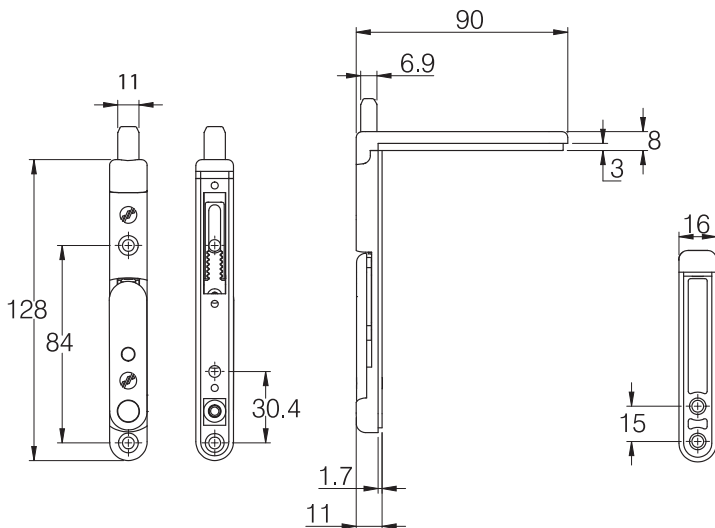
Finger Operated

PRODUCT INFORMATION



- Finger operated shootbolt
- 11mm shootbolt width
- Shootbolt throws 12 - 16mm
- For use on the secondary leaf, top and bottom, of a pair of French doors
- Suitable for use on the secondary leaf of a pair of French windows
- Rotational lever requires only minimal operating forces

TECHNICAL DRAWINGS



GUARANTEE



PART NUMBERS

Description

Large Finger Operated Shootbolt
044202



iDeal Small Shootbolt

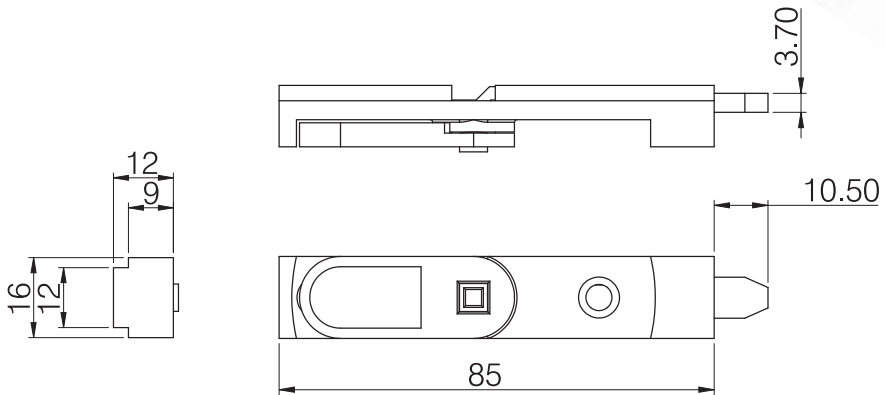
Finger Operated

PRODUCT INFORMATION



- Zinc die-cast shootbolt
- Finger operated
- Shootbolt throws 10.5mm
- Suitable for eurogrooves or flat surfaces
- Suitable for use on the secondary leaf, top and bottom, of a pair of French doors
- Suitable for use on the secondary leaf of a pair of French windows

TECHNICAL DRAWINGS



PART NUMBERS

Description
Small Finger Operated Shootbolt

Material
Zinc plated

Part Number
044101

GUARANTEE



iDeal Standard Shootbolt

Finger Operated

Door
Locks



PRODUCT INFORMATION



- Stainless steel shootbolt
- Finger operated
- Shootbolt throws 14mm
- Slim design allows more tolerance
- Suitable for eurogrooves or flat surfaces
- Suitable for use on the secondary leaf, top and bottom, of a pair of French doors
- Suitable for use on the secondary leaf of a pair of French windows

GUARANTEE



PART NUMBERS

Description

Finger Operated Shootbolt

Material Finish

Stainless Steel

Part Number

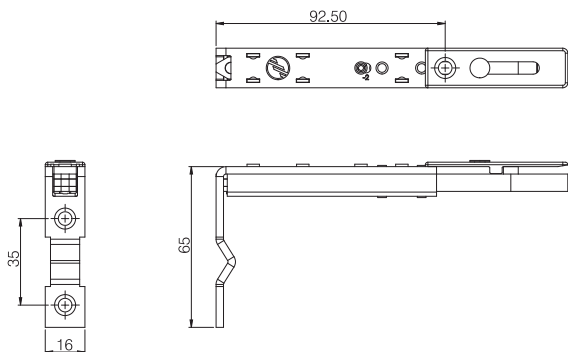
044120



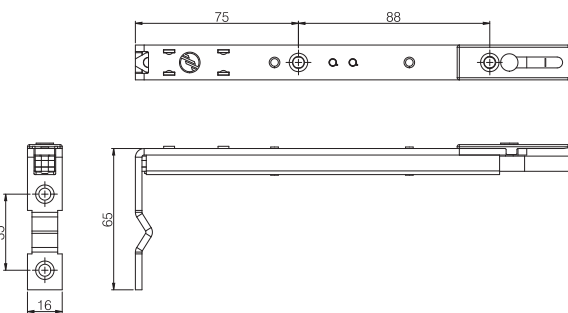
Normal & Reverse Action Shootbolt

For French Doors and Enhanced Security Applications

PRODUCT INFORMATION



Normal action



Reverse action

- For both French door and enhanced security applications
- Laminated for enhanced security
- Chamfered shootbolt ensuring easy operation
- Standard and high security variants
- Compatible with Mila, Yale and KfV door lock ranges
- Corrosion resistance to EN1670:2007 Grade 4
- Tested to a minimum of 50,000 cycles
- Security version tested to the enhanced security requirements of PAS: 2016
- Police Preferred Specification - ProSecure security shootbolt approved by Secured by Design

GUARANTEE



PART NUMBERS

Description	Part Number for Mila Lock	Part Number for Yale Lock	Part Number for KfV Lock
Normal Action Shootbolt	046324C	046326C	046316C
Reverse Action Shootbolt	046325C	046327C	046317C
ProSecure Security Shootbolt - normal action	046318C	046320C	-
ProSecure Security Shootbolt - reverse action	046319C	046321C	-

Door Shootbolt



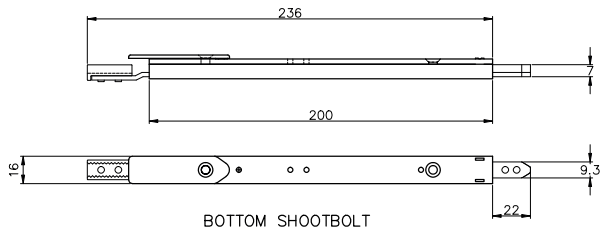
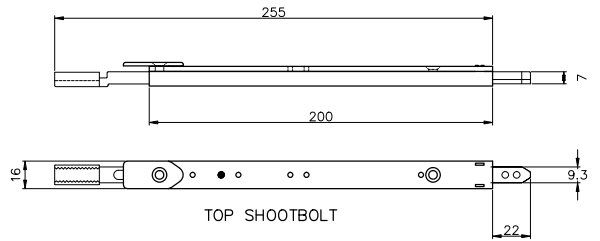
LockMaster Shootbolt Set



Description

Standard Shootbolt Set

041060P



PRODUCT INFORMATION **KFV**

Description

KFV Shootbolt
Reverse Action Shootbolt
Reverse Action Shootbolt
Normal Action Shootbolt
Normal Action Shootbolt
Normal Action Shootbolt - Oblong

No.8032 Silver Finger Bolt
No.7029.16 Silver
No.7029.16 Stainless Steel
No.7037.16 Stainless Steel
No.7037.16 Silver
No.7037.6.16 Silver

Part Number

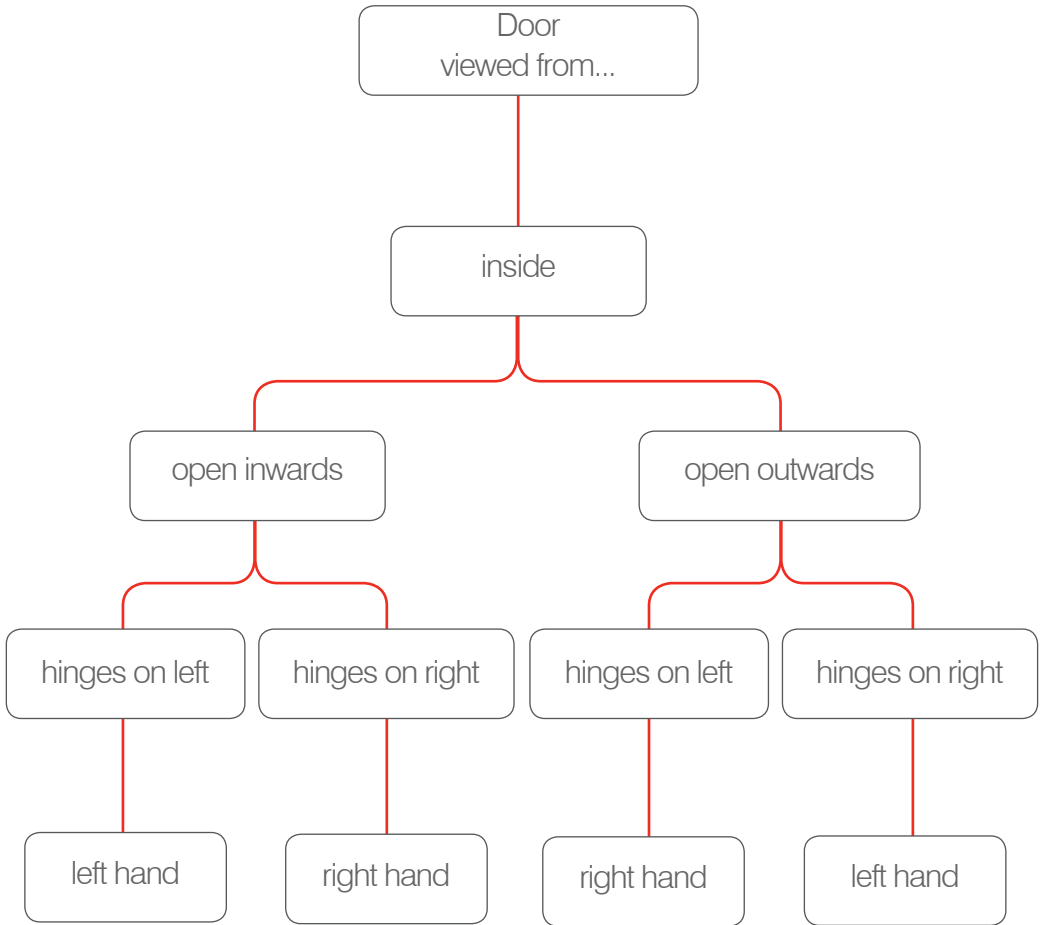
044239
046301
046304
046306
046309
046311N

Strikers



Strikers - How to hand guide

FOLLOW THE FLOW CHART TO IDENTIFY THE CORRECT HANDED HARDWARE



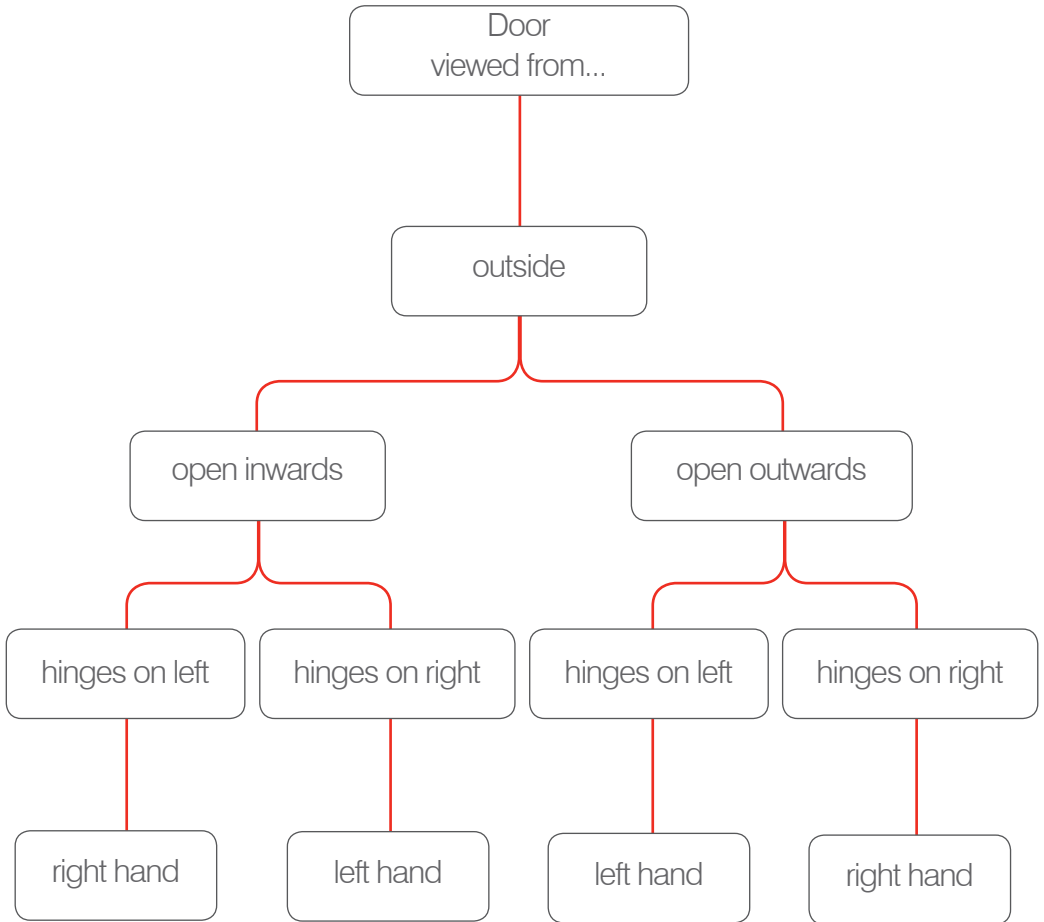
TOP TIP

Look at the door making sure that you are on the side of the door where you can see the hinges. If the hinges are on the left, then the door is left handed. If they are on the right, the door is right handed.

Strikers - How to hand guide



FOLLOW THE FLOW CHART TO IDENTIFY THE CORRECT HANDED HARDWARE





ProSecure One Piece Striker

PRODUCT INFORMATION & GUARANTEE

- ProSecure steel one-piece strikers are strong, fast-to-fit, utilise captive twist 'n' clip profile related packers for ease of fabrication and feature end-caps which provide a neat finish
- Achieves PAS24 enhanced security standard without the need for additional security plates
- Through-fixing holes with optional covers
- Centre-line to ease lock alignment
- Fully adjustable with 4mm Allen key
- Clip-in dust pockets
- 11mm and 13mm eurogroove positions
- 2 lengths
- Handed



TWIST 'N' CLIP PACKERS



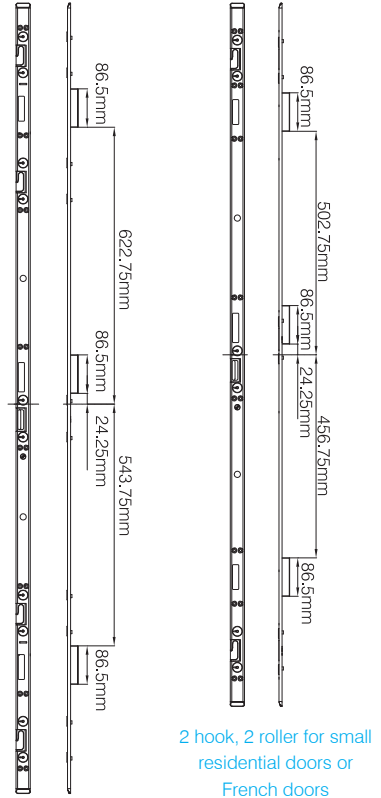
1 Place packer into 'C' shaped channel

2 then twist...

3 ...and clip into place

From
PAGE
281

TECHNICAL DRAWINGS



PART NUMBERS

Description	To Suit Lock	Eurogroove (mm)	Length (mm)	Right Hand	Left Hand
ProSecure One Piece Striker	2 Hook 2 Roller	11	1560	425014B	425015B
ProSecure One Piece Striker	2 Hook 2 Roller	13	1560	425020B	425021B
ProSecure One Piece Striker	2 Hook 4 Roller	11	1560	425024B	425025B
ProSecure One Piece Striker	2 Hook 4 Roller	13	1560	425030B	425031B
ProSecure One Piece Striker	2 hook 4 Roller	11	1756	425034B	425035B
ProSecure One Piece Striker	2 hook 4 Roller	13	1756	425040B	425041B

One Piece Striker



Door
Locks



PRODUCT INFORMATION

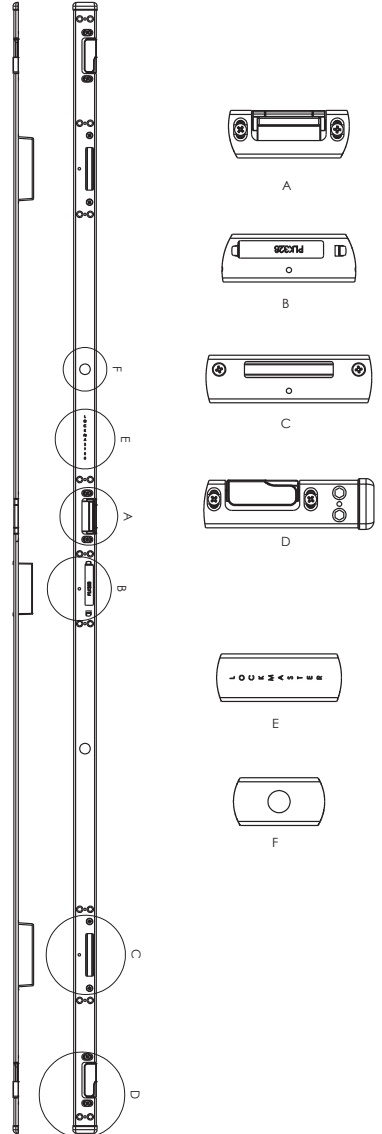


- Adjustable one piece striker
- Combined multipoint lock receiving points on one striker
- Easy to fit
- Corrosion resistance to EN1670:20 Grade 4
- Lock specific - works in conjunction with LockMaster profile related packers
- Please contact the Mila sales team for part numbers

GUARANTEE



TECHNICAL DRAWINGS

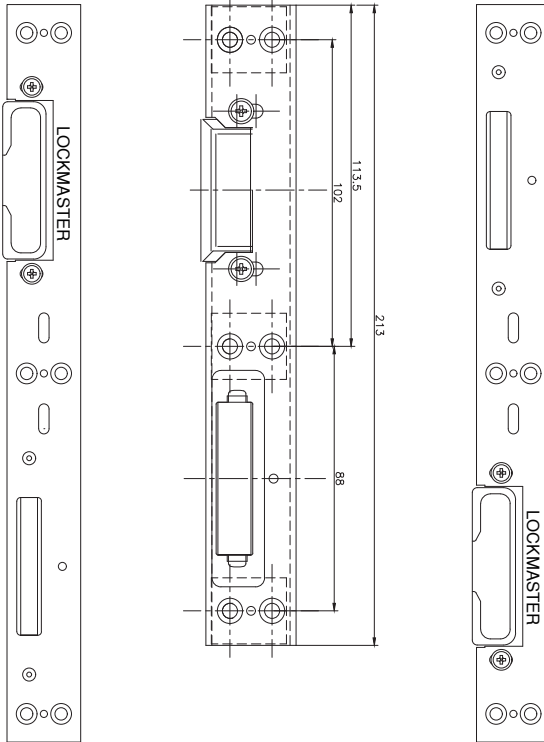




3 Piece Striker Range



PRODUCT INFORMATION



- Centre latch and deadbolt striker with fully adjustable centre latch plate for compression
- Combined hook and roller keeps to suit Yale multipoint locks
- Steel pressing and laminated plates for extra strength
- Corrosion resistance to EN1670:2007 Grade 4

PART NUMBERS

Description	Universal	Left Hand	Right Hand
2 hook 2 roller striker	420329P	-	-
Centre striker	-	420310	420315
2 hook 4 roller striker	-	P420358	P420359

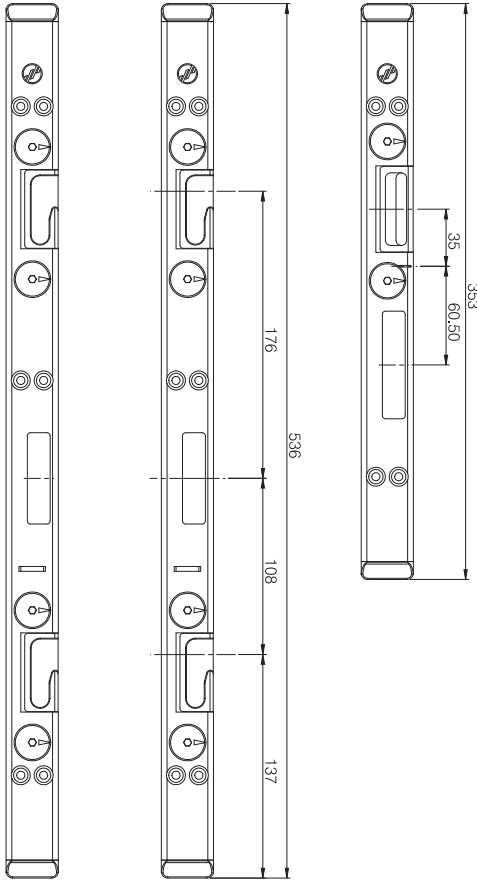
GUARANTEE



ProSecure 3 Piece Striker Range



PRODUCT INFORMATION



- ProSecure steel three-piece strikers are strong, fast-to-fit, utilise captive twist 'n' clip profile related packers for ease of fabrication and feature end-caps which provide a neat finish
- Achieves PAS24 enhanced security standard without the need for additional security plates
- Centre-line to ease lock alignment
- Fully adjustable with 4mm Allen key
- Clip-in dust pockets
- 11mm and 13mm eurogroove positions
- Handed

From
PAGE
281

TWIST 'N' CLIP PACKERS



1 Place packer into 'C' shaped channel

2 then twist...

3 ...and clip into place

PART NUMBERS

Description	Part Numbers Right Hand	Part Numbers Left Hand
2 hook 2 roller striker 11 mm	425114	425115
2 hook 2 roller striker 13mm	425120	425121
2 Hook 4 roller striker 11mm	425124	425125
2 Hook 4 roller striker 13mm	425130	425131

GUARANTEE





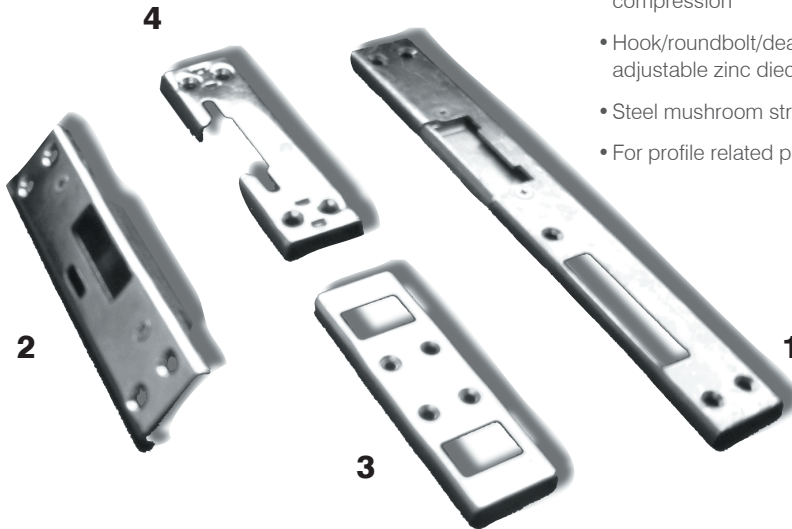
Contact our sales team for advice on locks, strikers & profile related packers

T. 01327 312 400 E. sales@mila.co.uk

Universal Striker Range



PRODUCT INFORMATION



- Handed centre latch & deadbolt strikers with fully adjustable centre latch plate for compression
- Hook/roundbolt/deadbolt strikers with adjustable zinc diecast back box
- Steel mushroom strikers
- For profile related packers see page 281

GUARANTEES



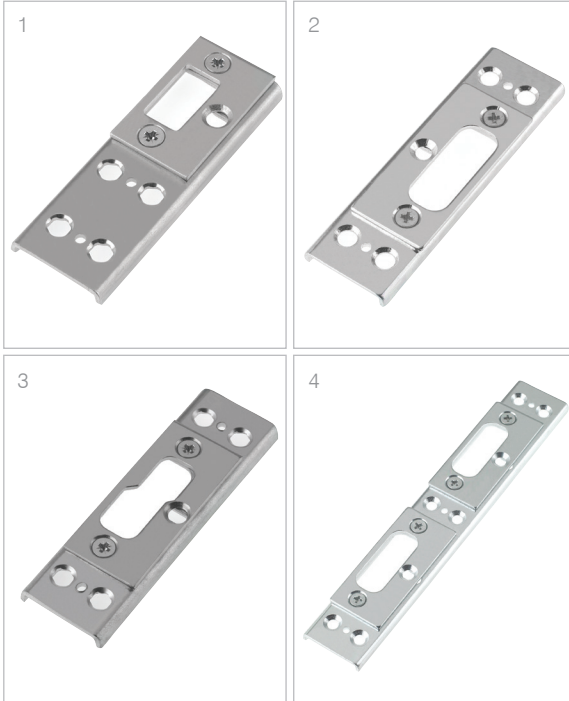
PART NUMBERS

Striker Description	Type	Part Number
Universal Centre Latch Striker (no. 1)	RH	420001C
Universal Centre Latch Striker (no. 1)	LH	420007C
Hook/Roundbolt/Deadbolt Striker (no. 2)	Back box	420031CS
Universal Shootbolt Striker (no. 3)	-	420089
Universal Mushroom Striker (no. 4)	-	420042



Universal Shootbolt Striker Range

PRODUCT INFORMATION



- Universal shootbolt strikers
- Profile related packers listed from page 281

PART NUMBERS

Striker Description	Type	Part Number
Single Adjustable S/bolt Striker Set For Residential Doors (1)	without zinc box	420341
Single Adjustable S/bolt Striker Set For Residential Doors	with zinc box	420387
Single Adjustable S/bolt Striker (Single) For French Doors (2)	without zinc box	420345
Single Adjustable S/bolt Striker (Single) For French Doors	with zinc box	420386
Single Adjustable S/bolt Striker Set For Staggered French Doors (3)	without zinc box	420343
Double Adjustable S/bolt Striker (Single) For French Doors (4)	without zinc box	420347
Double Adjustable S/bolt Striker (Single) For French Doors	with zinc box	420388
Double Adjustable S/bolt Striker (Single) For French Doors High Security	with zinc box	A420394

High Security Striker Range



Door
Locks



PRODUCT INFORMATION



- High security striker to meet the requirements of PAS24: 2016
- Centre latch and deadbolt striker with fully adjustable centre latch plate for compression
- Combined hook and roller keeps to suit Yale multipoint locks
- Steel pressing and laminated plates for extra strength
- Corrosion resistance to EN1670:2007 Grade 4
- Profile related packers listed from page 316

GUARANTEES



PART NUMBERS

Description	Right Hand	Left Hand
2 hook 2 roller striker	420255	420254
2 hook 4 roller striker	420333	420334

**Door
Locking Systems
for
Timber
Applications**

Door Locking Systems for Timber Applications

AT A GLANCE

We've pulled together some of our door locking systems for Timber Applications in one easy to use section.

Product	Description	Application	Page
KFV Door Lock	2 Pin, AS 7370	Residential & French doors	403-404
KFV Door Lock	2 Pin, AS 4350	Residential doors	405-406
KFV Door Lock	2 Hook, AS 7970	Residential doors	407-408
KFV Secondary Door Lock	AS 7006	Double doors	409-410
Yale LockMaster Security Door Lock	PLSP18 /PL18	Residential doors	411-412
Siegenia HS Portal	Lift & Slide Gear	Patio Doors	413-414

PRODUCT INFORMATION



- Extendable multipoint lock for residential and French doors
- 2 pins
- Pins throw 20mm
- Reversible latch to suit both left and right handed doors
- Anti-saw deadbolt
- 35mm and 45mm backset options
- 16mm faceplate
- PZ 92
- Lever/lever operation

For use with KFV Hurricane Lock AS 7006

- Locking system for timber & composite double doors
- Removes the need for a false mullion

PAGE
409

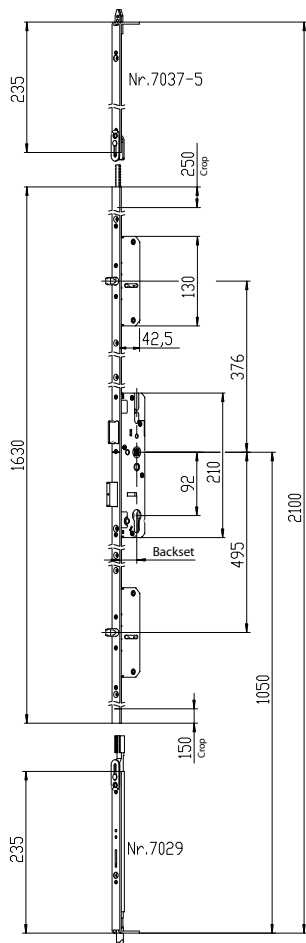
AS 7370

2 Pin

Door
Locking
Systems
for
Timber
Applications

TECHNICAL DRAWINGS

GUARANTEE



PART NUMBERS

Description	Operation	Backset	Locking points	Part numbers
AS 7370	Lever/lever	35	2 pin, latch & deadbolt	046214
AS 7370	Lever/lever	45	2 pin, latch & deadbolt	046224

AS 4350

2 Pin



- Multipoint residential door lock
- 2 hardened steel pins to protect against sawing
- Reversible latch to suit both left and right handed doors
- Anti-saw deadbolt
- 28mm, 35mm, 40mm, 45mm backset options
- 16mm faceplate
- PZ 92
- Operation: lever/lever

CLOSE-UP



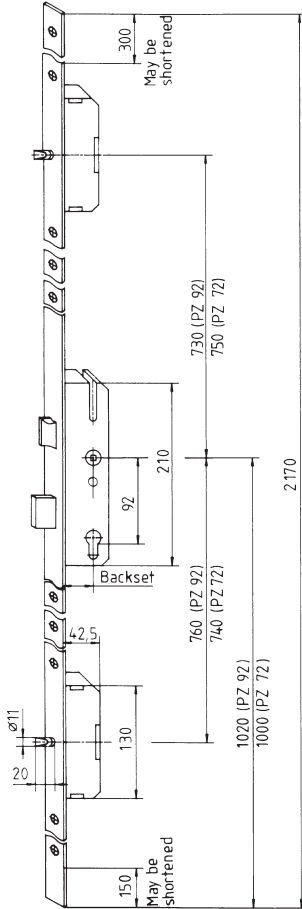
AS 4350

2 Pin

**Door
Locking
Systems
for
Timber
Applications**

TECHNICAL DRAWINGS

GUARANTEE



PART NUMBERS

Description	Operation	Backset	Locking points	Part Numbers
AS4350*	Single Spindle	28mm	2 pin	047446
AS4350	Single Spindle	35mm	2 pin	047453
AS4350	Single Spindle	40mm	2 pin	047462
AS4350	Single Spindle	45mm	2 pin	047466

AS 7970

2 Hook

PRODUCT INFORMATION



- Extendable multipoint lock for residential doors
- 2 hardened steel hooks
- Reversible latch to suit both left and right handed doors
- Anti-saw deadbolt
- 28mm and 35mm backset options
- 16mm faceplate
- PZ 92
- Operation: lever/lever

For use with KFV Hurricane Lock AS 7006

- Locking system for timber & composite double doors
- Removes the need for a false mullion

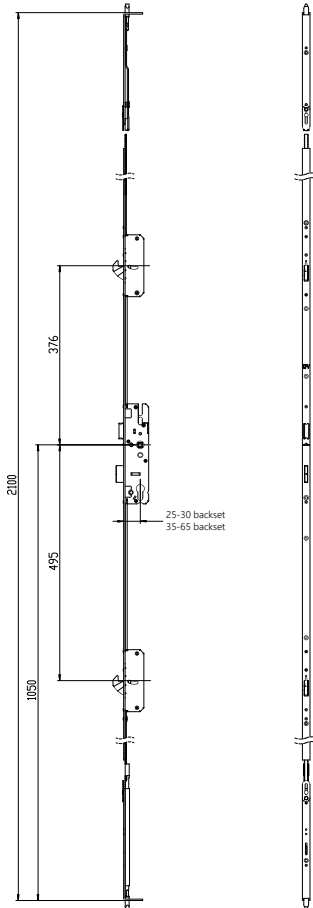
PAGE
409

AS 7970

2 Hook

Door
Locking
Systems
for
Timber
Applications

TECHNICAL DRAWINGS



GUARANTEE



See our range of shootbolts

from
PAGE
262

PART NUMBERS

Description	Operation	Backset	Locking points	Part Numbers
AS 7970	Single Spindle	28mm	2 hooks	047841
AS 7970	Single Spindle	35mm	2 hooks	047910

KFV Hurricane Lock AS 7006 **KFV**[®]

Secondary Lock for Timber

PRODUCT INFORMATION



- Extendable multipoint lock for timber and composite double door systems
- Tested to withstand Dade County (Florida) Hurricane Tests
- Achieve double door security with 4 shootbolts, 2 hooks, latch and deadbolt
- 45mm backset
- Locking points maintain integrity of door sash and help prevent twisting or warping
- 20 mm throw of shootbolts (laminated steel)
- 21mm throw of hooks (hardened steel)
- 16mm deadbolt throw with anti-saw protection
- Universal routing for both door sashes means handing can be changed without additional work to lock preparation
- Complies with MLA/ABI minimum insurance requirements
- Door cannot be locked until secondary door is secured, ensuring both doors are fully secured every time they are closed
- Second door cannot be accidentally unlocked as primary door also has a secondary lock retaining function which locks into secondary door lock
- PZ 92

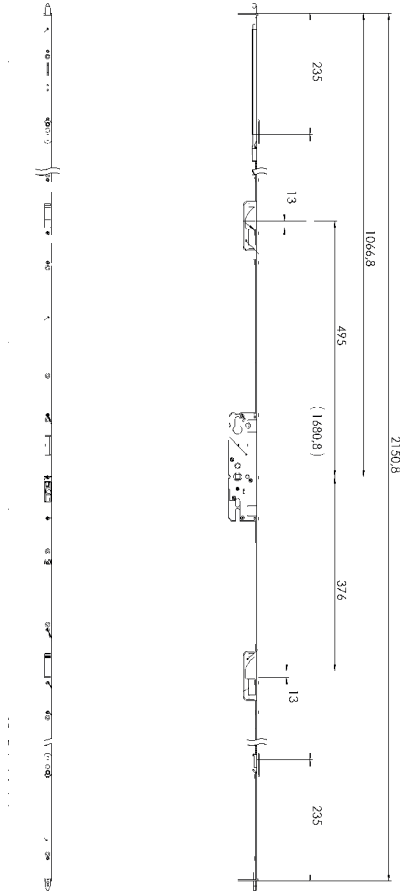
KFV Hurricane Lock AS 7006

Secondary Lock for Timber

Door
Locking
Systems
for
Timber
Applications

TECHNICAL DRAWINGS

GUARANTEE



See our range of shootbolts

from
PAGE
262

PART NUMBERS

Description	Operation	Backset	Locking points	Part numbers
Hurricane Lock AS7006	Single Spindle	45mm	4 shootbolts, 2 hooks, latch and deadbolt	046080

LockMaster PLSP18 (PL18)

For Composite & Timber



PRODUCT INFORMATION



- Multipoint lock for composite and timber doors
- 2 hooks, latch and deadbolt combination provide enhanced security
- 35mm and 45mm backset
- 16mm or 20mm faceplate with square or radius ends
- Normal or twin spindle gearbox
- Tested to PAS 24 for enhanced security
- Tested to BSEN 1670: grade 4 achieving 240 hours corrosion resistance
- Tested to BS 6375-1 for weathertightness
- Tested to BS 6375-2 in excess of 50,000 cycles for operational reliability
- Police preferred specification - Secured by Design approved product

CLOSE-UP



Hook & pin



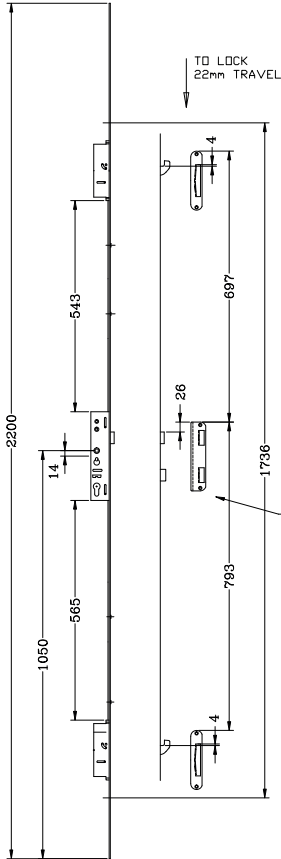
Centre Latch & deadbolt

LockMaster PLSP18 (PL18)

For Composite & Timber

**Door
Locking
Systems
for
Timber
Applications**

TECHNICAL DRAWINGS



GUARANTEES



Secured by Design



Police Preferred Specification

PART NUMBERS

Description	Operation	Faceplate	Backset	Locking Points	Ends	Part Numbers
PLSP18	Single Spindle	16	35	2 Hook	Square	041195
PLSP18	Single Spindle	16	45	2 Hook	Square	041191
PLSP18	Single Spindle	20	45	2 Hook	Square	041192
PLSP18	Single Spindle	20	45	2 Hook	Radius	041193
PLSP18	Single Spindle	20	35	2 Hook	Radius	041198

HS Portal

Lift & Slide Patio Gear

PRODUCT DESCRIPTION



Lift and slide patio gearing. Easy to assemble, effortless operation.

- Fixed bogie wheels
- Simple frame corner connections
- Pre-moulded sealing rail (optional)
- Suitable for 56mm, 66mm and 68mm timber sections
- Built-in night vent as standard
- Maximum sash weight 400 kg
- Easy to replace clip-on running rail for aluminium sills
- Thermally broken aluminium threshold
- Timber sill option also available
- Low threshold version for wheelchair access
- Insulated support rail
- Shootbolt option available

HS Portal Lift & Slide

Lift & Slide Patio Gear

**Door
Locking
Systems
for
Timber
Applications**

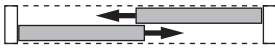
TECHNICAL DRAWINGS



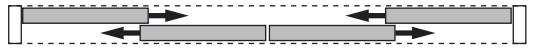
Scheme A*
Moving sashes 1
Max. Width 6,700mm
* Left hand shown above, right hand also available



Scheme C
Moving sashes 2
Max. Width 13,300mm



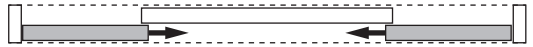
Scheme D
Moving sashes 2
Max. Width 6,700mm



Scheme F
Moving sashes 4
Max. Width 13,300mm



Scheme G
Moving sashes 1
Max. Width 9,900mm



Scheme K
Moving sashes 2
Max. Width 13,300mm



Scheme H
Moving sashes 3
Max. Width 9,900mm



Scheme L
Moving sashes 4
Max. Width 19,800mm



Scheme E
Moving sashes 2
Max. Width 10,000mm

GUARANTEE

