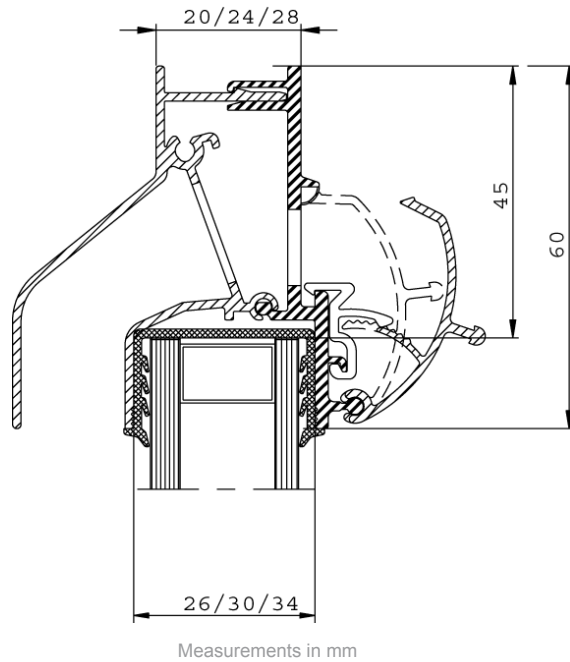


Technical Data

Type	Glazed-in
Material Specification:	
Extruded Aluminium	Alloy AlmgSi 05 to DIN 1748
End Caps	ABS

Technical Drawing



Glazed-In Vent Controllable

Thermally broken aluminium glazed-in ventilator with 45mm glass reduction.

- Canopy style external profile is punched and forms an insect mesh
- Controllable operating mechanism provides fine control of air
- Lever or rod operation
- Suitable for PVCU, timber and aluminium
- Available made to measure in a wide range of standard finishes
- Twin colours available
- Suits 20, 24 & 28mm glazing thicknesses
- Glass reduction height: 45mm
- Product performance: 9671mm² equivalent area per lm (1pa)
- Please call the Mila sales team on 01327 312 400 to order this product.



Guarantees & Accreditations

Mechanical Guarantee	5 years
Labour Guarantee	2 years

to place your order simply call our sales team direct on 01327 312 400