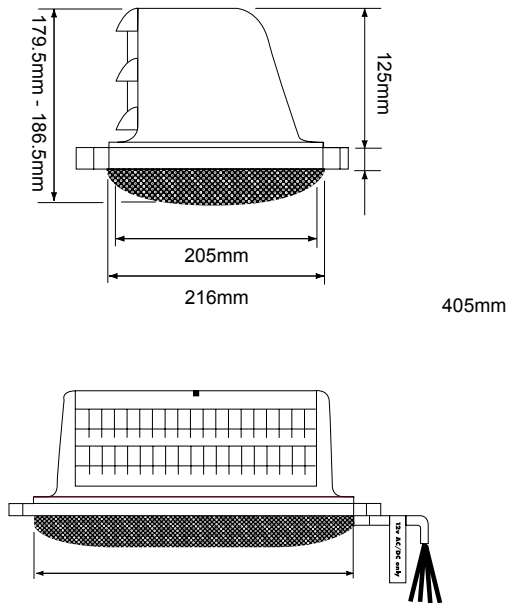


Technical Data

Type	Conservatory
Finishes	White/white, brown/brown
Aerostar Roof Ventilator includes:	Ventilator, switch, surface mount box, transformer, template and wiring diagram.
Installation - Alternative Option:	Glazing panel (1000mm x 400mm) can be reduced in size to a minimum of 500mm x 270mm
	Panel size: standard 1000mm x 400mm x 24mm
	Alternative: 1250mm x 400mm x 24mm

Technical Drawings

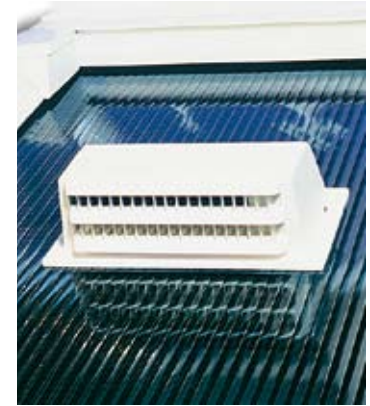


Aerostar Conservatory Vent

The Aerostar is a powerful but discreet ventilation unit. It has been designed specifically for use in conservatory roofs to dramatically improve comfort by reducing temperature and humidity levels.

An economical and more effective alternative to rooflights, the Aerostar is easily installed into new or existing roof panels, using a template and simple to follow wiring diagram. The compact, discreet design of the unit complements the external appearance of the conservatory and, as the main housing is externally mounted, there is no intrusion into the internal space.

- Active ventilation through a powerful low energy 12 volt 2-speed centrifugal fan
- Significantly more effective than passive rooflights that rely purely on ambient airflow



Part Numbers

Description

Aerostar Conservatory Vent
Aerostar Conservatory Vent

* Special order only

Finish	Part No..
White/White	430012*
Brown/Brown	430018*

Guarantees & Accreditations

Mechanical Guarantee	5 years
Labour Guarantee	2 years

to place your order simply call our sales team direct on 01327 312 400