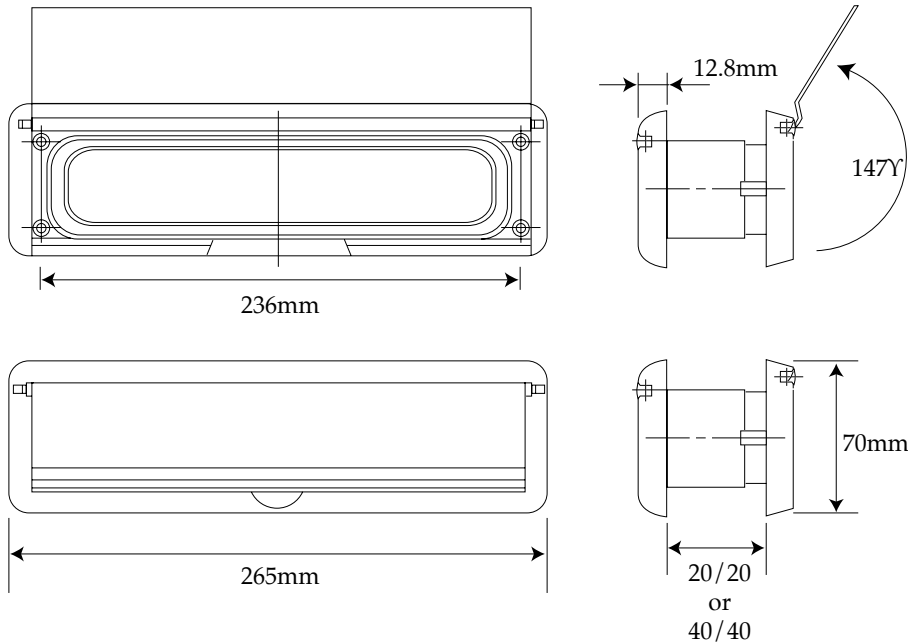


Technical Data

Length (mm)	265
Height (mm)	70
Aperture Depth (mm)	18 - 78
Finishes	Polished gold, silver F1, gold F3, black, white, saa
Material Specification:	
Frame	ABS Plastic
Flap	Extruded aluminium 6030 alloy
Springs	Acetal torsion bars
Draught Seals	Closed cell foam gasket - external Nylon brush seals - internal
Box Quantity	25

Technical Drawing



Welseal Letterbox

The Welseal range of letterboxes have been so named because of their soft lines and contours which suite seamlessly with the softer lines of today's door panels, furniture and profiles.

- Softened design internal frame arrangement with less obtrusive flap featuring thumb access and matching softened external frame
- Increased size of aperture to allow easier access for A4 post
- Available in 2 standard, telescopic sleeve sets:
20/40 to suit door thicknesses 18 - 38mm
40/80 to suit door thicknesses 38 - 78mm
- Available with a black frame and with various flap finishes
- External flap opening to 147° lessens possibility of torsion bar breakage or over stressing. Internal flap opens to 90°
- External foam sealing
- Internal nylon brush sealing to reduce air filtration
- Frame in prime ABS
- Extruded Aluminium flap in 6030 Alloy



Part Numbers

Description	Polished Gold	Silver (F1)	Gold (F3)	Black	White
Welseal Letterbox - 20/40	110445W	110447W	110449W	110441W	110442W
Welseal Letterbox - 40/80	110465W	110467W	110469W	110461W	110462W
	SSA				
Welseal Letterbox - 40/80	110460W				

Guarantees & Accreditations

Mechanical Guarantee	5 years
Labour Guarantee	2 years

to place your order simply call our sales team direct on 01327 312 400