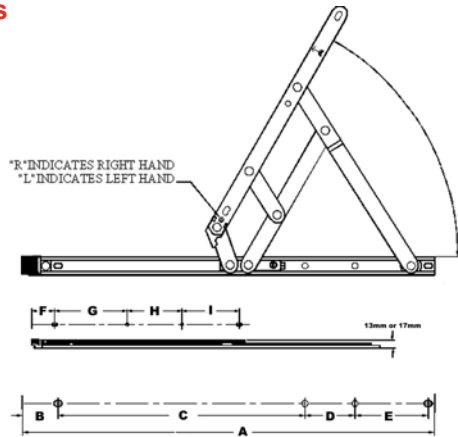


## Technical Data

Application	Side & top hung
Stack Height (mm)	13 & 17
Size (inches)	Top hung = 8,10,12,16,20,24, side hung = 12, 16
Max. Sash Weight (kg)	Contact the Mila technical team on 01327 707 300
Material Specification:	
Tracks	430 stainless steel
Links	430 stainless steel
Rivets	302 stainless steel
End Moulding	Zinc die cast
End Spacer	Nylon 6
Box Quantity	25

## Technical Drawings



## Fixing Hole Details

Description	A(mm)	B(mm)	C(mm)	D(mm)	E(mm)	F(mm)	G(mm)	H(mm)	I(mm)
Top hung 8"	205.3	34.8	131	-	33	41	10.3	-	122
Top hung 10"	255.3	34.8	176.5	-	38	41	28.33	-	126
Top hung 12"	305.3	34.8	206.5	-	58	41	50.3	-	126
Top hung 16"	404.6	34.8	242.8	49	72	41	121	-	99
Top hung 20"	504.4	34.8	210.6	116	137	41	171	-	99
Top hung 24"	604.4	34.8	210.6	166	187	41	125.9	95.1	92
Side hung 12"	317.5	36.5	90	174.5	11	37.2	42	-	141
Side hung 16"	418.5	36.5	90	275.5	11	37.2	105.5	-	212.5

## Trinity Friction Stay

The Trinity range of stainless steel friction stays is suitable for both top hung and side hung applications.

- Handed nylon end-cap for smooth operation & accurate location
- 13mm & 17mm stack height to suit most common casement profiles
- 8", 10", 12", 16" 20" & 24" top hung
- 12" & 16" side hung
- Egress friction stays available



## Recommended Maximum Sash

Description	Size (")	Width (mm)	Height (mm)	Opening (°)
Top hung	8	1200	350	85°
Top hung	10	1200	400	85°
Top hung	12	1200	550	85°
Top hung	16	1200	800	45°
Top hung	20	1200	900	45°
Top hung	24	1200	1200	45°
Side hung	12	600	300	90°
Side hung	16	700	400	90°

## Part Numbers

Description	Size (")	13mm	17mm
		Stack Height	Stack Height
Top hung	8	023408C	023458C
Top hung	10	023410C	023460C
Top hung	12	023412C	023462C
Top hung	16	023416C	023466C
Top hung	20	023420C	023470C
Top hung	24	023424C	023474C
Side hung	12	023444C	023493C
Side hung	16	023448C	023495C

## Guarantees & Accreditations

Mechanical Guarantee	10 years	BBA Approved	Yes
Labour Guarantee	2 years		



to place your order simply call our sales team direct on 01327 312 400