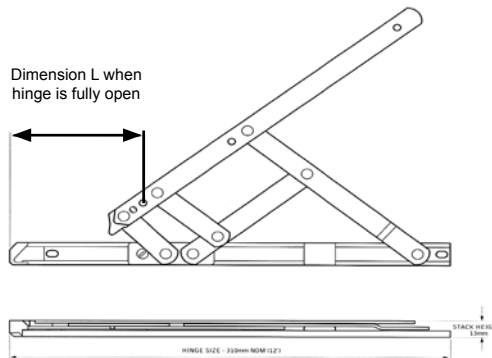


Technical Data

Application	Top & side hung
Stack Height (mm)	Standard = 13, highline = 16, 17
Size (inches)	6, 8,10,12,16,20,24
Max. Sash Weight (kg)	Top hung = 40, side hung = 24
Material Specification:	
Links & Tracks - Ferritic	Stainless steel to BS 10088/2 Grade 1.4016
Rivets - Ferritic	Stainless steel to BS 10263/5 Grade 1.4016
Links & Tracks - Austenitic	Stainless steel to BS 10088/2 Grade 1.4301
Rivets - Austenitic	Stainless steel to BS 10263/5 Grade 1.4567
End Caps & Points	Nylon 66
Friction Cam	Zinc alloy BS EN 1774:ZL0410, zinc & gold passivate finish
Box Quantity	Top hung 6", 8",10",12", side hung 12" = 50 top hung 16", 20", 24", side hung 16" = 25 side hung 12" = 50, side hung 16" = 25

Technical Drawings



Fixing Hole Details

Description	L(mm)
Top hung 6"	63
Top hung 8"	83
Top hung 10"	131
Top hung 12"	164
Top hung 16"	239
Top hung 20"	215
Top hung 24"	156
Side hung 12"	172
Side hung 16"	170

Defender & Friction Stay

General purpose friction stay for use on both top hung and side hung casement windows.

- Patented lipped slider for enhanced smooth operation
- Easy friction adjustment without metal to metal contact
- Asymmetric location system for reliable weather-sealing
- Standard Defender in 13mm stack height
- Defender Highline in 16 and 17mm stack height
- BBA approved product



Recommended Maximum Sash

Description	Size (")	Width (mm)	Height (mm)	Weight (kg)	Opening (°)
Top Hung	6	150	300	10	50°
Top Hung	8	200	350	12	50°
Top Hung	10	275	400	16	80°
Top Hung	12	350	550	20	80°
Top Hung	16	500	780	21	80°
Top Hung	20	700	1100	26	50°
Top Hung	24	850	1300	40	37.5°
Side Hung	12	300	600	22	60°
Side Hung	16	400	700	24	60°

Part Numbers

Description	Size (")	13mm	16mm	17mm
		Stack Height	Stack Height	Stack Height
Top Hung	6	028000	-	-
Top Hung	8	028002T	028022T	028042T
Top Hung	10	028004	028024	028044
Top Hung	12	028006	028026	028046
Top Hung	16	028008	028028	028048
Top Hung	20	028010	028030	028050
Top Hung	24	028012	028032	028052
Side Hung	12	028014	028034	028054
Side Hung	16	028016	028036	028056

Guarantees & Accreditations

Mechanical Guarantee
Labour Guarantee

10 years
2 years

BBA Approved Yes



to place your order simply call our sales team direct on **01327 312 400**