

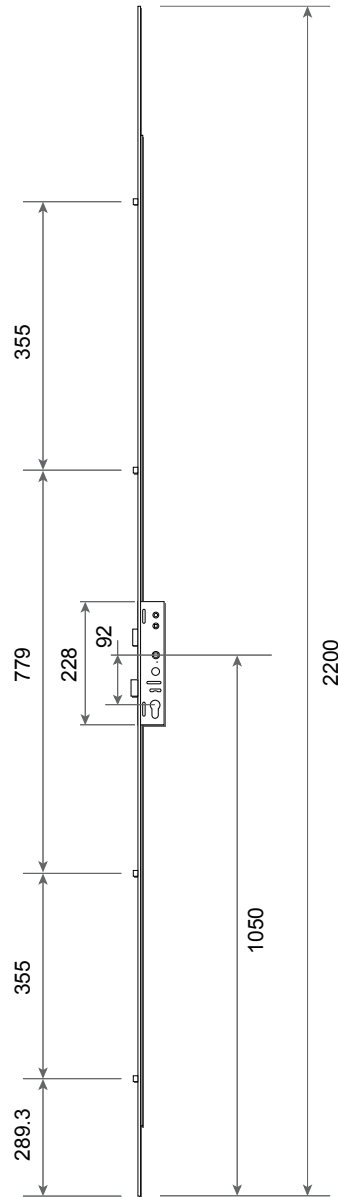
Technical Data

Type	4 roller
Operation	Lever/lever or lever/pad & twin spindle
Pz (mm)	92 or 92/62
Backset (mm)	35
Faceplate (mm)	16

Material Specification

Case	Steel to BS 1449 CR4, Zinc plated
Deadbolt	Brass stamped to BS 2874 CZ122, zinc plated
Latch	Diecast in zinc alloy to BS 1004B, zinc plated
Faceplate	Steel to BS 1449 CR4, zinc plated

Box Quantity 5



Mila Master 4 Roller

The Mila Master 4 roller lock is a multipoint lock designed for residential doors, featuring as standard:

- Reversible latch
 - Deadbolt with hardened anti-saw pins
 - 4 x pre-compression roller cams
- Further options include:
- Option of "twin spindle" type operation

Part Numbers

Description	Type	Backset (mm)	Rollers	Part No.
Mila Master 4 Roller	Standard	35	4	041004
Mila Master 4 Roller	Twin Spindle	35	4	041024

Guarantees & Accreditations

Mechanical Guarantee	10 years
Labour Guarantee	2 years



to place your order simply call our sales team direct on 01327 312 400