

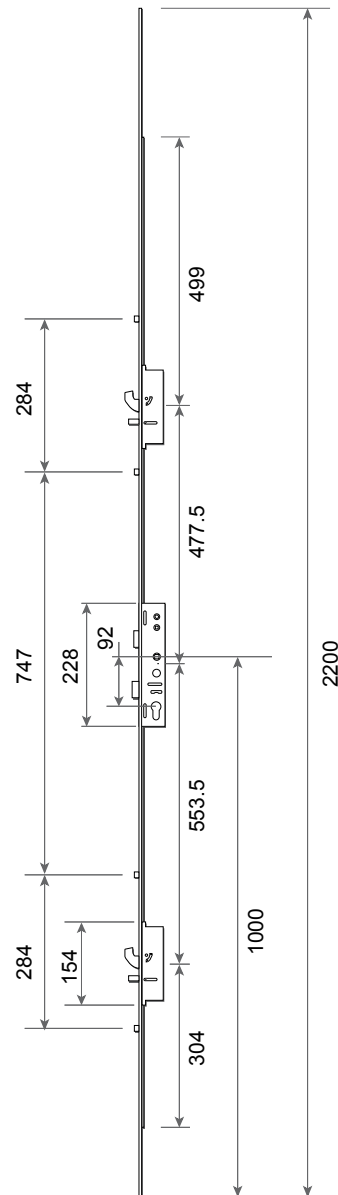
Technical Drawings

Type	2 hook, 2 pin, 4 roller
Operation	Lever/lever, lever/pad, & twin spindle
Pz (mm)	92 or 92/62
Backset (mm)	35 (45 special order)
Faceplate (mm)	16 (20 special order)

Material Specification

Case	Steel to BS1449 CR4, zinc plated & yellow passivated to BS1706 Zn8
Deadbolt	Brass stamped to BS2874 CZ122, zinc plated & yellow passivated to BS1706 Zn8
Latch	Diecast in zinc alloy to BS1004B, zinc plated & yellow passivated to BS1706 Zn8
Faceplate	Steel to BS1449 CR4, zinc plated & yellow passivated to BS1706 Zn8
Hooks & Anti-lift Bolt	Diecast in zinc alloy to BS1004B, copper - nickel plated to BS1224

Box Quantity 5



Mila Master 2 Hook, 2 Pin, 4 Roller

The MILA Master lock is an extremely versatile lock which can be utilised for all common applications - front door lever/lever or lever/pad, back door lever/lever or french door master leaf. PVCu, timber, composites or aluminium.

The MILA Master lock features as standard:

- Reversible latch
- Deadbolt with hardened anti-saw pins
- 2 x hooks
- 2 x anti-lifts
- 4 x patented pre-compression roller cams which travel before the hooks to ensure smooth operation and positive door alignment

Further options include:

- Option of "twin spindle" type operation
- On the front door lever/pad operation a snib facility is available to withhold the latch to prevent being locked out
- Shootbolts which can be added top and bottom of a door to further enhance security or when using the lock as a master French door
- One piece striker for enhanced aesthetics and faster fabrication times
- Adjustable french door keeps for optimum compression at the top and bottom of the door

Part Numbers

Description	Type	Backset (mm)	Hooks	Pins	Rollers	Part No.
Mila Master	Standard	35	2	2	4	041000
Mila Master	Twin	35	2	2	4	041020
Shootbolt Set	Security	-	-	-	-	UNISBK

Guarantees & Accreditations

Mechanical Guarantee	10 years
Labour Guarantee	2 years

SBD Product

Yes



to place your order simply call our sales team direct on 01327 312 400