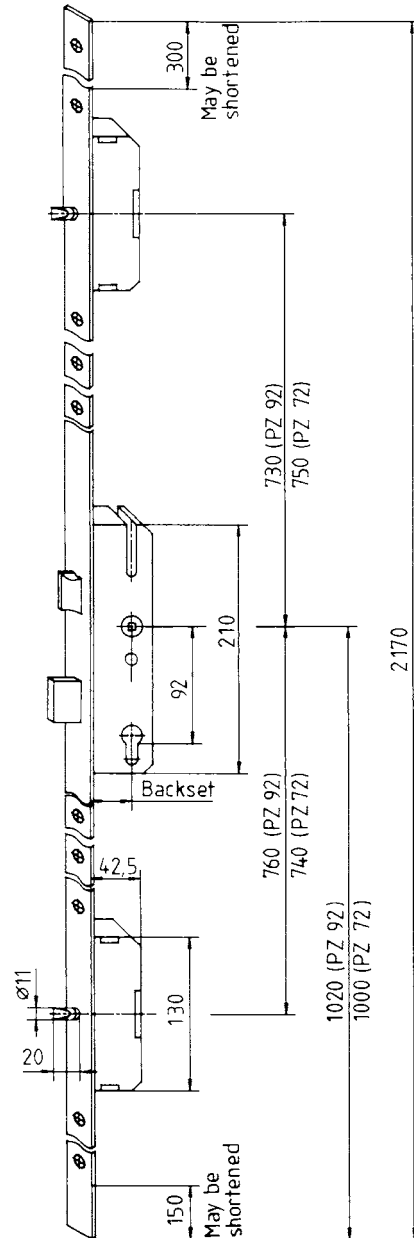


Technical Data

Type	2 Pin
Operation	Lever/Lever
Pz (mm)	92
Backset (mm)	25, 28, 30, 35, 40, 45
Faceplate (mm)	16 or 24mm U

Material Specification

Lock Case	Steel acc. En 10149/zinc plated
Face Plate	Steel acc. En 10149
Latch Bolt	Zinc diecasting acc. 1743-2/nickel plated En 12540
Deadbolt	Zinc diecasting acc. 1743-2/nickel plated En 12540
Spindle Square	Brass acc. DIN 1709
Handle-Spring Housing	Zinc diecasting acc.. 1743-2/yellow bichromated En 12330
Handle-Spring	Steel acc. DIN 2076-D
Drive Gear	Steel acc. En 10149
Slider	Steel acc. En 10149/zinc plated
Tumbler	Zinc diecasting acc. 1743-2/nickel plated En 12540
Tumbler Spring	Steel acc. DIN 2076-D
Box Quantity	5



AS 4350 2 Pin

Multipoint door lock for use on residential door applications.

The lock is a lever operated multipoint lock featuring 2 pins, a reversible latch and an anti-saw deadbolt as standard.

- Pins throw 20mm
- Pins secured against sawing with hardened steel pins
- Suits standard 92mm Pz handles
- Range of backsets available
- 24mm "U" track faceplate version also available

Part Numbers

Description	Type	Backset (mm)	Pins	Part No. 24mm U	Part No. 16mm Flat
AS A350 Multipoint Lock	Standard	25	2	-	047440*
AS A350 Multipoint Lock	Standard	28	2	-	047445
AS A350 Multipoint Lock	Standard	30	2	-	047450*
AS A350 Multipoint Lock	Standard	35	2	047545*	047455
AS A350 Multipoint Lock	Standard	40	2	-	047460
AS A350 Multipoint Lock	Standard	45	2	047555*	047465

* special order only

Guarantees & Accreditations

Mechanical Guarantee	5 years
Labour Guarantee	2 years



to place your order simply call our sales team direct on 01327 312 400