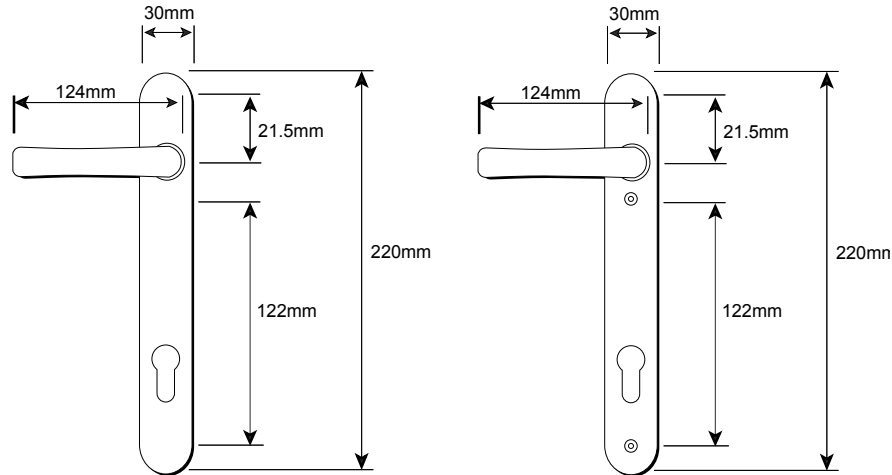


Technical Data

Type	Lever/lever, lever/pad
Pz	92
Backplate Width (mm)	30
Finishes	Silver (F1), gold (F3), black, white
Box Quantity	36

Technical Drawing



A1

External

Internal

Please note: variant A1 (lever/pad) utilises the same fixing holes as variant A2

Hoppe New York Door Handle - Pz 92

Hoppe lever/lever furniture to suit multipoint locks with 92mm cylinder centres. Unsprung levers are fixed to the backplate and by design are fully reversible.

- Lever/lever & lever/pad available
- Cast aluminium levers, with stainless steel under construction and aluminium coverplate
- Reversible for left or right hand doors
- Supplied with 8x8mm solid spindle and 2 x M5 screws - finished to match backplate
- Suitable for door thicknesses from 58-70mm
- Suitable for locks with a Pz distance of 92mm
- Fixing lugs located on both sides to provide a secure fit onto the door
- Available in a range of attractive finishes



Part Numbers

Description	Variant	Pz	Silver (F1)	Gold (F3)	Black	White
Hoppe New York Lever/Lever	A1	92	050970H	050973H	050977H	050978H
Hoppe New York Lever/Pad	A2	92	050980H	050983H	050987H	050988H

Guarantees & Accreditations

Mechanical Guarantee	5 years
Labour Guarantee	2 years

to place your order simply call our sales team direct on 01327 312 400