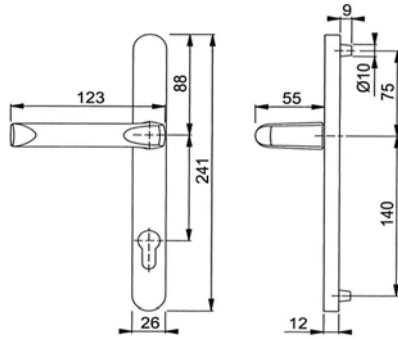


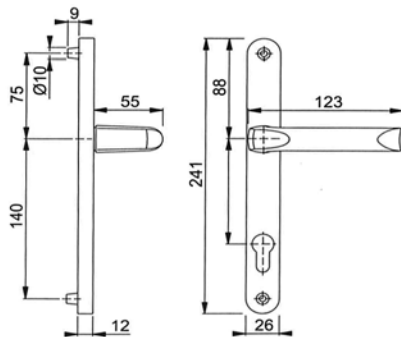
Technical Data

| | |
|----------------------|--------------------------------------|
| Type | Lever/lever, lever/pad |
| Pz | 92, 92/62 |
| Backplate Width (mm) | 26 |
| Fixings | 2 |
| Finishes | Silver (F1), gold (F3), black, white |
| Box Quantity | 15 |

Technical Drawings



External handle



Internal handle

A1

Please note: variants A2 & A3 utilise the same fixing holes as variant A1

Hoppe Door Handle Pz 92/62

Unsprung, cast aluminium, lever/lever and lever/pad door handle designed to suit Paddock Lockmaster and MILA Master locks. Consisting of a pair of backplates with unsprung lever internally and a moveable pad externally.

- To suit Mila Master & Paddock locks
- Reversible for left or right hand doors
- Fixing lugs located on both sides to provide a secure fit onto the door
- Supplied with 8x8mm solid spindle and 2 x M5 screws
- Available in a range of attractive finishes



Part Numbers

| Description | Variant | Pz | Silver (F1) | Gold (F3) | Black | White |
|---------------------------|---------|-------|-------------|-----------|---------|---------|
| Hoppe Lever/Lever | A1 | 92 | 051801H | 051803H | 051807H | 051808H |
| Hoppe Lever/Pad | A2 | 92/62 | 051811H | 051813H | 051817H | 051818H |
| Hoppe Lever/Pad with Snib | A3 | 92/62 | 051821H | 051823H | 051827H | 051828H |

Guarantees & Accreditations

| | |
|----------------------|---------|
| Mechanical Guarantee | 5 years |
| Labour Guarantee | 2 years |

to place your order simply call our sales team direct on 01327 312 400