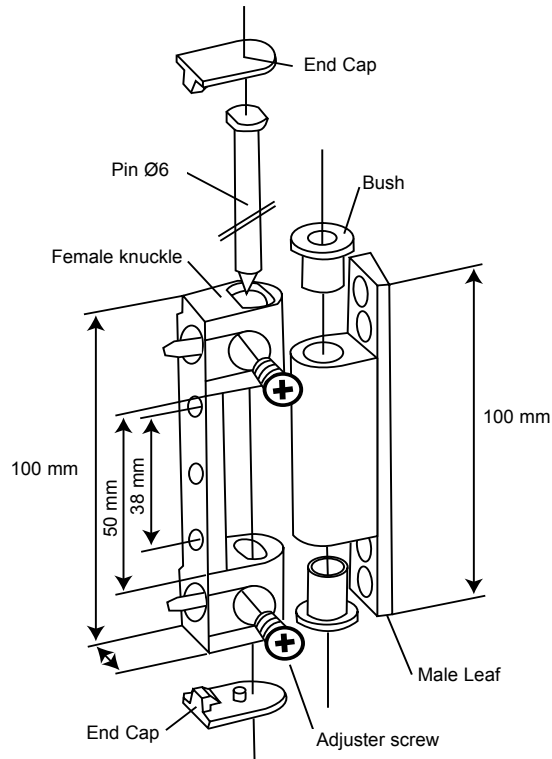


## Technical Data

Type	Adjustable butt
Lateral Adjustment (mm)	+/- 2
Suits Over-rebate (°)	0°, 5° or 15°
Maximum Sash Weight (kg)	80 (3 hinges)
Finishes	White, brown, light oak
<b>Material Specification:</b>	
Body	Zinc die cast BS1004A
Pin & Grub Screw	Mild steel, zinc & yellow passivated to BS 1706 ZN5
Bushes	ABS (nylon)
Box Quantity	10

## Technical Drawings



## Sidewinder Butt Hinge

The Sidewinder is an adjustable butt hinge, adjustable from the side for 4mm overall lateral adjustment.

- Adjustment is simply performed by opening the door to 90° and adjusting the twin adjustment screws to the desired amount using a philips head screw driver.
- Stainless steel hinge pin and concealed grub screw fixing
- Versions available for 0°, 5° and 15° over-rebates
- Available in a choice of white, brown or light oak powdercoated finish



## Part Numbers

Description	Degrees (°)	White	Brown	Light Oak
Sidewinder Butt Hinge	0°	021201	022203	022205
Sidewinder Butt Hinge	5°	021211	021213	021215*
Sidewinder Butt Hinge	15°	021231	021233	021235*

\* Special Order Only

## Guarantees & Accreditations

Mechanical Guarantee	10 years
Labour Guarantee	2 years

to place your order simply call our sales team direct on 01327 312 400