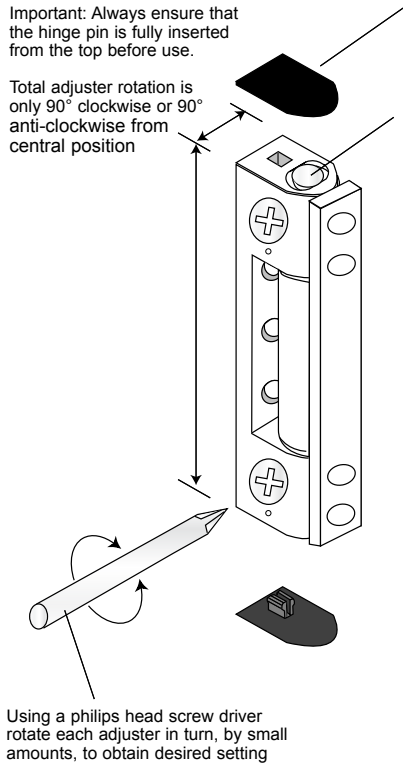


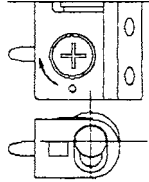
## Technical Data

Type	Adjustable butt
Lateral Adjustment (mm)	+/- 2
Height Adjustment (mm)	9, 11, 13
Maximum Sash Weight (kg)	80 (3 hinges)
Finishes	White, brown
<b>Material Specification</b>	
Hinge Components	Zinc alloy to BS1004 B
Pin (Non-Security)	Steel zinc - yellow passivated
Pin (Security)	Steel
Box Quantity	10

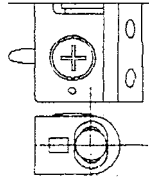
## Technical Drawings



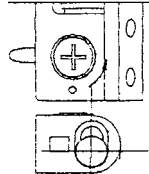
MINIMUM SETTING



NOMINAL SETTING (AS SUPPLIED)



MAXIMUM SETTING



## Pendulum Butt Hinge

The Pendulum butt hinge features 4mm lateral adjustment to facilitate optimum cover. Adjustment is simply performed by opening the door to 90° and adjusting the twin adjustment screws to the desired amount with a philips head screw driver.

- Tested to BS7352:1990, class 8 severe rating and achieved in excess of 175,000 cycles on endurance at 80kg per single hinge
- Versions available for 0°, 5°, 10° and 15° overrebates
- Available in a choice of white or brown powdercoated finish



## Part Numbers

Description	Degree (°)	White	Brown
Pendulum Butt Hinge	0	027021	027023
Pendulum Butt Hinge	5	027025	027027
Pendulum Butt Hinge	10	027029	027031
Pendulum Butt Hinge	15	027033	027035

## Guarantees & Accreditations

Mechanical Guarantee	10 years
Labour Guarantee	2 years

to place your order simply call our sales team direct on 01327 312 400