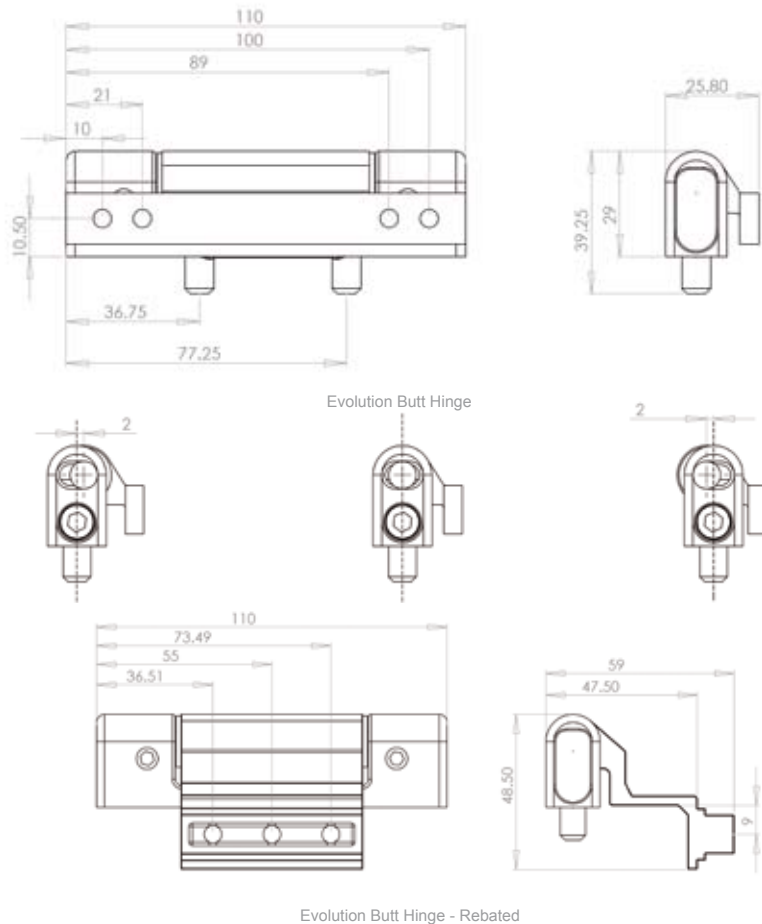


Technical Data

Type	Butt
Lateral Adjustment (mm)	+/- 2
Height Adjustment (mm)	+4
Maximum Sash Weight (kg)	80 (3 hinges)
Finishes	White, brown, light oak
Box Quantity	30

Technical Drawings



Evolution Butt Hinge

Based on the Mila's successful Evolution door hinge, the Evolution butt hinge features both lateral and vertical adjustment and is available in standard and rebated versions.

- Adjustable to ensure optimal weather tightness and installation
- Lateral adjustment +/- 2mm
- Vertical adjustment +4mm
- Adjustment achieved without dis-mounting the door leaf
- 8mm diameter bosses provide additional stability
- Steel hinge pin
- Available in a range of attractive finishes



Part Numbers

Description	Degrees (°)	White	Brown	Light Oak
Evolution Butt Hinge	0°	022200	022201	022202
Evolution Butt Hinge	5°	022210	022211	022212
Evolution Butt Hinge	10°	022220	022221	022222

Description	Over-rebate (mm)	White	Brown	Light Oak
Evolution Butt Hinge - Rebated	11	022310	022311	022312
Evolution Butt Hinge - Rebated	13	022320	022301	022302
Evolution Butt Hinge To Suit Rehau	-	022240	022241	022242

Guarantees & Accreditations

Mechanical Guarantee	5 years
Labour Guarantee	2 years

to place your order simply call our sales team direct on 01327 312 400