



Cylinders

Hardware By Professionals | For Professionals

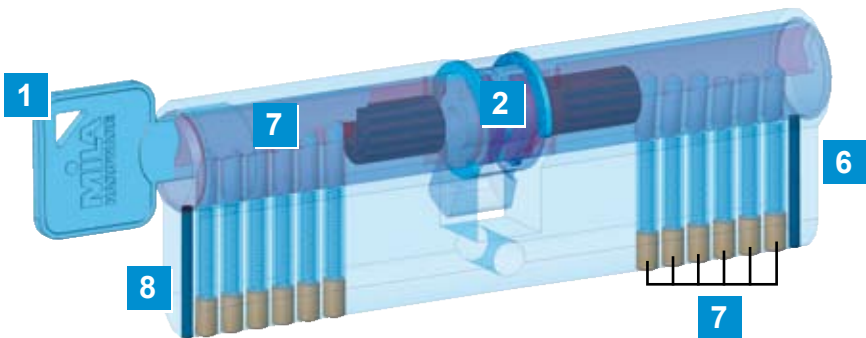
BS EN 1303 Classification Guide

A guide to the classification for Mila Pro-Linea cylinders is below. Test reports and/or certificates are available on request.



- Digit 1 Category of Use**
 Achieved Grade 1; keys shall resist a torque of 2.5Nm and still be usable
- Digit 2 Durability ***
 Achieved Grade 6; 100,000 cycles
- Digit 3 Door Mass**
 (No requirement)
- Digit 4 Fire Resistance**
 Achieved Grade 0; not suitable for fire resistant door assemblies
- Digit 5 Safety**
 (No requirement)
- Digit 6 Corrosion and temperature resistance ***
 Achieved Grade C; BS EN 1670 Grade 3 corrosion resistance: resistance to -20/+80°C temperature extremes
- Digit 7 Key related security ***

Achieved Grade 6;	minimum number of effective differs	100,000
	minimum number of movable pins	6
	torque resistance of plug	15Nm
- Digit 8 Attack resistance**
 Achieved Grade 0; resistance to drilling grade 2 (5 minutes)



CYLINDER CONTENTS

	Page No.
A Guide to Key Systems	226-227
Evolution - Anti-Bump Cylinder	229
Pro-Linea 6 Pin Double Cylinder	231
Pro-Linea 6 Pin Thumb-Turn Cylinder	233
Pro-Linea 6 Pin Half Cylinder	235
Pro-Linea Paired Alike Cylinders	237
Pro-Linea Keyed Alike Cylinders	239
Evolution Cylinder Guard	241

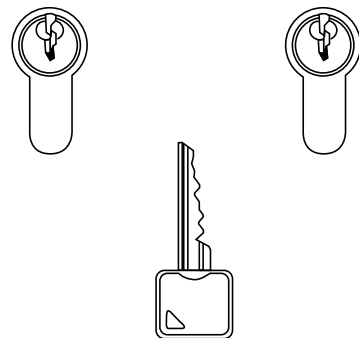
to place your order simply call our sales team direct on **01327 312 400**

Key Systems

Most cylinder types can be supplied paired alike, keyed alike or as part of a Master key system.

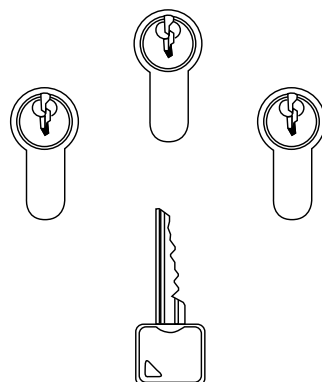
Paired Alike

This provides "same key" convenience and eliminates the need for different keys where a pair of cylinders are used, for example on french doors. Mila keep a range of paired alike key/key cylinders in stock.



Keyed Alike

This provides "same key" convenience and eliminates the need for multiple keys where numerous cylinders are used. For example the same key can be used for front door, back door and french doors.

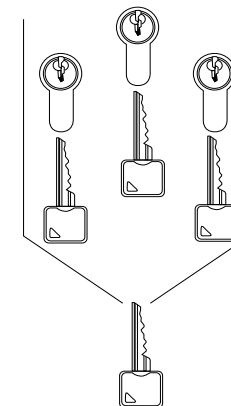


Master Key Systems

In addition to paired and keyed alike cylinders Mila can also offer dedicated master key systems to special order. Listed below are our definitions for the different types of keying service available (please note: key shown is for illustration purposes only).

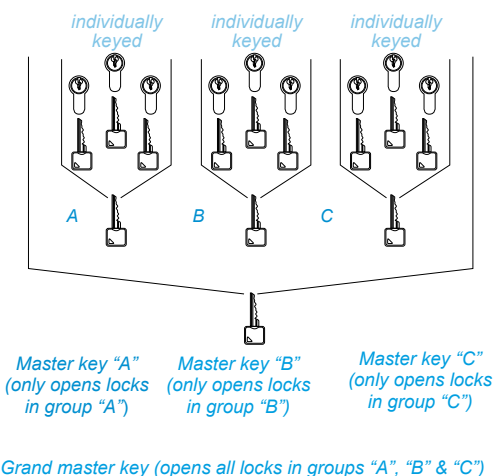
Master Key

In a master key system, a master key opens all the locks in the system although each lock also has its own unique key.



Grand Master Key

Similar to a master key system but provides one grand master key for several master key systems.



to place your order simply call our sales team direct on 01327 312 400

Technical Data

Part number configuration information below to help you place your cylinder order;

40	40	ED	MB	AB
----	----	----	----	----

Digit 1: dimension A (see drawing below)

Digit 2: dimension B (see drawing below)

Digit 3: cylinder type

Euro double = ED

Digit 4: cylinder finish

Matt brass = MB
Matt nickle = MN

Digit 5: number of pins

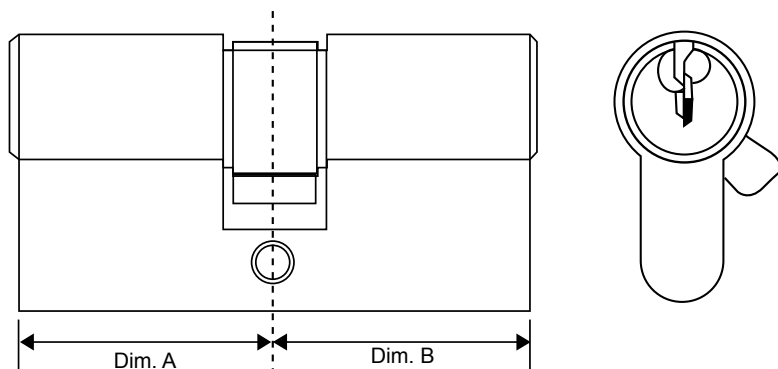
Mila 6 pin security = M6

Digit 6: additional info

Anti-Bump = AB

Box Qty: 1

Technical Drawing



Evolution Anti-Bump Cylinder

Evolution cylinders provide an effective and secure solution to the threat of bumping. Evolution cylinders are protected against bumping by four guard pins on either side of the tumbler. If anyone attempts to bump the cylinder the guard pins automatically engage into the plug - effectively blocking entry

A comprehensive range of types, sizes and finishes are available for all applications:

- : 6 pin, euro profile cylinder
- : Independently assessed for resistance to attack by bumping
- : Supplied complete with 3 keys
- : Standard key profile, spare keys can be cut on the High Street
- : Available in matt brass and matt nickle finishes
- : Range of sizes to suit all major door profiles



Part Numbers

Description	Type	Size	Matt Brass	Matt Nickle
Evolution Anti-Bump Cylinder	Euro Double	35/35	3535EDMBAB	3535EDMNAB
Evolution Anti-Bump Cylinder	Euro Double	40/40	4040EDMBAB	4040EDMNAB
Evolution Anti-Bump Cylinder	Euro Double	40/45	4045EDMBAB	4045EDMNAB
Evolution Anti-Bump Cylinder	Euro Double	40/50	4050EDMBAB	4050EDMNAB
Evolution Anti-Bump Cylinder	Euro Double	40/55	4055EDMBAB	4055EDMNAB
Evolution Anti-Bump Cylinder	Euro Double	40/60	4060EDMBAB	4060EDMNAB
Evolution Anti-Bump Cylinder	Euro Double	45/45	4545EDMBAB	4545EDMNAB
Evolution Anti-Bump Cylinder	Euro Double	45/50	4550EDMBAB	4550EDMNAB
Evolution Anti-Bump Cylinder	Euro Double	45/55	4555EDMBAB	4555EDMNAB
Evolution Anti-Bump Cylinder	Euro Double	50/50	5050EDMBAB	5050EDMNAB
Evolution Anti-Bump Cylinder	Key Blank	161/1	KEYBLANKAB	-

Guarantees & Accreditations

Mechanical Guarantee	5 years
Labour Guarantee	2 years

to place your order simply call our sales team direct on 01327 312 400

Technical Data

Part number configuration information below to help you place your cylinder order;

40	40	ED	PB	M6
----	----	----	----	----

Digit 1: dimension A (see drawing below)

Digit 2: dimension B (see drawing below)

Digit 3: cylinder type

Euro double = ED

Digit 4: cylinder finish

Polished brass = PB

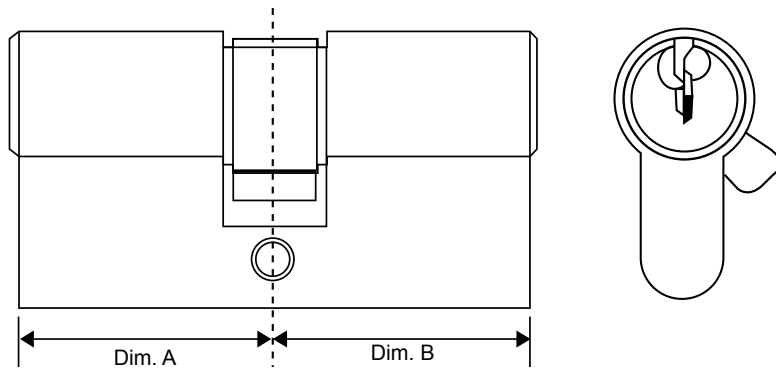
Polished chrome = PC

Digit 5: number of pins

Mila 6 pin security = M6

Box Qty: 25

Technical Drawing



Pro-Linea 6 Pin Double Cylinder

Pro-Linea cylinders from Mila provide security and proven reliability as standard. A comprehensive range of types, sizes and finishes are available for all applications:

- Over 100,000 effective differs
- Anti-drill pins provide protection against drilling
- Corrosion and temperature resistant for reliability in extreme temperatures
- Supplied complete with 3 keys
- Available in polished brass and polished chrome finishes
- Suites with other Pro-linea products
- BS EN 1303 - Grade 6 - Pro-Linea cylinders meet all relevant standards and have been independently certified to BS EN 1303 - Grade 6.
- BS EN 1303 Classification: 1 6 0 0 0 C 6 0



Part Numbers

Description	Type	Size	Polished Brass	Polished Chrome
Pro-Linea 6 Pin Cylinder	Euro Double	30/30	3030EDPBM6	3030EDPCM6
Pro-Linea 6 Pin Cylinder	Euro Double	35/35	3535EDPBM6	3535EDPCM6
Pro-Linea 6 Pin Cylinder	Euro Double	35/45	3545EDPBM6	3545EDPCM6
Pro-Linea 6 Pin Cylinder	Euro Double	35/50	3550EDPBM6	3550EDPCM6
Pro-Linea 6 Pin Cylinder	Euro Double	35/55	3555EDPBM6	3555EDPCM6
Pro-Linea 6 Pin Cylinder	Euro Double	40/40	4040EDPBM6	4040EDPCM6
Pro-Linea 6 Pin Cylinder	Euro Double	40/45	4045EDPBM6	4045EDPCM6
Pro-Linea 6 Pin Cylinder	Euro Double	40/50	4050EDPBM6	4050EDPCM6
Pro-Linea 6 Pin Cylinder	Euro Double	40/55	4055EDPBM6	4055EDPCM6
Pro-Linea 6 Pin Cylinder	Euro Double	40/60	4060EDPBM6	4060EDPCM6
Pro-Linea 6 Pin Cylinder	Euro Double	45/45	4545EDPBM6	4545EDPCM6
Pro-Linea 6 Pin Cylinder	Euro Double	45/50	4550EDPBM6	4550EDPCM6
Pro-Linea 6 Pin Cylinder	Euro Double	45/55	4555EDPBM6	4555EDPCM6
Pro-Linea 6 Pin Cylinder	Euro Double	50/50	5050EDPBM6	5050EDPCM6

Guarantees & Accreditations

Mechanical Guarantee	5 years
Labour Guarantee	2 years

to place your order simply call our sales team direct on 01327 312 400

Technical Data

Part number configuration information below to help you place your cylinder order;

40	40	ET	PB	M6
----	----	----	----	----

Digit 1: dimension A (see drawing below)

Digit 2: dimension B (see drawing below)

Digit 3: cylinder type

Euro thumb-turn = ET

Digit 4: cylinder finish

Polished brass = PB

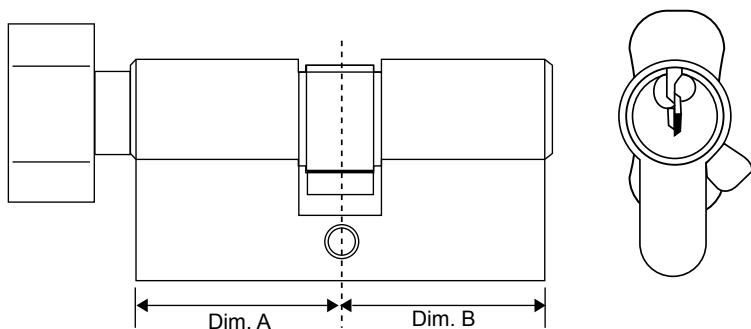
Polished chrome = PC

Digit 5: number of pins

Mila 6 pin security = M6

Box Qty: 25

Technical Drawing



Pro-Linea 6 Pin Thumb-Turn Cylinder

Pro-Linea cylinders from Mila provide security and proven reliability as standard. A comprehensive range of types, sizes and finishes are available for all applications:

- Over 100,000 effective differs
- Anti-drill pins provide protection against drilling
- Optimum comfort and ease of operation through ergonomic thumbturn design
- Corrosion and temperature resistant for reliability in extreme temperatures
- Supplied complete with 3 keys
- Available in polished brass and polished chrome finishes
- Suites with other Pro-linea products
- BS EN 1303 - Grade 6 - Pro-Linea cylinders meet all relevant standards and have been independently certified to BS EN 1303 - Grade 6.
- BS EN 1303 Classification: 1 6 0 0 0 C 6 0



Part Numbers

Description	Type	Size	Polished Brass	Polished Chrome
Pro-Linea 6 Pin Cylinder	Euro Thumb-turn	30/30	3030ETPBM6	3030ETPCM6
Pro-Linea 6 Pin Cylinder	Euro Thumb-turn	35/35	3535ETPBM6	3535ETPCM6
Pro-Linea 6 Pin Cylinder	Euro Thumb-turn	35/45	3545ETPBM6	3545ETPCM6
Pro-Linea 6 Pin Cylinder	Euro Thumb-turn	35/50	3550ETPBM6	3550ETPCM6
Pro-Linea 6 Pin Cylinder	Euro Thumb-turn	35/55	3555ETPBM6	3555ETPCM6
Pro-Linea 6 Pin Cylinder	Euro Thumb-turn	40/40	4040ETPBM6	4040ETPCM6
Pro-Linea 6 Pin Cylinder	Euro Thumb-turn	40/45	4045ETPBM6	4045ETPCM6
Pro-Linea 6 Pin Cylinder	Euro Thumb-turn	40/50	4050ETPBM6	4050ETPCM6
Pro-Linea 6 Pin Cylinder	Euro Thumb-turn	40/55	4055ETPBM6	4055ETPCM6
Pro-Linea 6 Pin Cylinder	Euro Thumb-turn	40/60	4060ETPBM6	4060ETPCM6
Pro-Linea 6 Pin Cylinder	Euro Thumb-turn	45/35	4535ETPBM6	4535ETPCM6
Pro-Linea 6 Pin Cylinder	Euro Thumb-turn	45/45	4545ETPBM6	4545ETPCM6
Pro-Linea 6 Pin Cylinder	Euro Thumb-turn	45/50	4550ETPBM6	4550ETPCM6
Pro-Linea 6 Pin Cylinder	Euro Thumb-turn	45/55	4555ETPBM6	4555ETPCM6
Pro-Linea 6 Pin Cylinder	Euro Thumb-turn	50/35	5035ETPBM6	5035ETPCM6
Pro-Linea 6 Pin Cylinder	Euro Thumb-turn	50/40	5040ETPBM6	5040ETPCM6
Pro-Linea 6 Pin Cylinder	Euro Thumb-turn	50/45	5045ETPBM6	5045ETPCM6
Pro-Linea 6 Pin Cylinder	Euro Thumb-turn	50/50	5050ETPBM6	5050ETPCM6
Pro-Linea 6 Pin Cylinder	Euro Thumb-turn	55/35	5535ETPBM6	5535ETPCM6
Pro-Linea 6 Pin Cylinder	Euro Thumb-turn	55/40	5540ETPBM6	5540ETPCM6
Pro-Linea 6 Pin Cylinder	Euro Thumb-turn	55/45	5545ETPBM6	5545ETPCM6
Pro-Linea 6 Pin Cylinder	Euro Thumb-turn	60/40	6040ETPBM6	6040ETPCM6

Guarantees & Accreditations

Mechanical Guarantee	5 years
Labour Guarantee	2 years

to place your order simply call our sales team directly on 01327 312 400

Technical Data

Part number configuration information below to help you place your cylinder order;

30	10	EH	PB	M6
----	----	----	----	----

Digit 1: dimension A (see drawing below)

Digit 2: dimension B (see drawing below)

Digit 3: cylinder type

Euro half = EH

Digit 4: cylinder finish

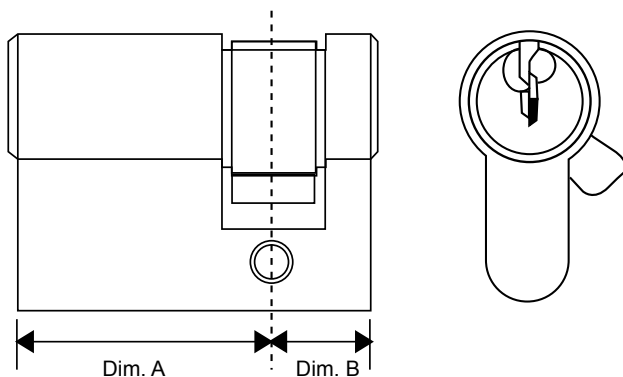
Polished brass = PB
Polished chrome = PC

Digit 5: number of pins

Mila 6 pin security = M6

Box Qty: 25

Technical Drawing



Pro-Linea 6 Pin Half Cylinder

Pro-Linea cylinders from Mila provide security and proven reliability as standard. A comprehensive range of types, sizes and finishes are available for all applications:

- : Over 100,000 effective differs
- : Anti-drill pins provide protection against drilling
- : Optimum comfort and ease of operation through ergonomic thumbturn design
- : Corrosion and temperature resistant for reliability in extreme temperatures
- : Supplied complete with 3 keys
- : Available in polished brass and polished chrome finishes
- : Suites with other Pro-linea products
- : BS EN 1303 - Grade 6 - Pro-Linea cylinders meet all relevant standards and have been independently certified to BS EN 1303 - Grade 6.
- : BS EN 1303 Classification: 1 6 0 0 0 C 6 0



Part Numbers

Description	Type	Size	Polished Brass	Polished Chrome
Pro-Linea 6 Pin Cylinder	Euro Half	30/10	3010EHPBM6	3010EHPCM6
Pro-Linea 6 Pin Cylinder	Euro Half	35/10	3510EHPBM6	3510EHPCM6
Pro-Linea 6 Pin Cylinder	Euro Half	40/10	4010EHPBM6	4010EHPCM6
Pro-Linea 6 Pin Cylinder	Euro Half	45/10	4510EHPBM6	4510EHPCM6
Pro-Linea 6 Pin Cylinder	Euro Half	50/10	5010EHPBM6	5010EHPCM6
Pro-Linea 6 Pin Cylinder	Euro Half	55/10	5510EHPBM6	5510EHPCM6

Guarantees & Accreditations

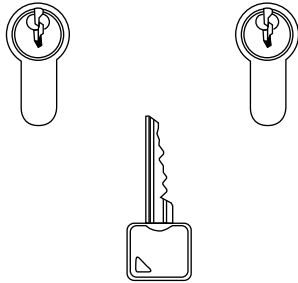
Mechanical Guarantee	5 years
Labour Guarantee	2 years

to place your order simply call our sales team direct on 01327 312 400

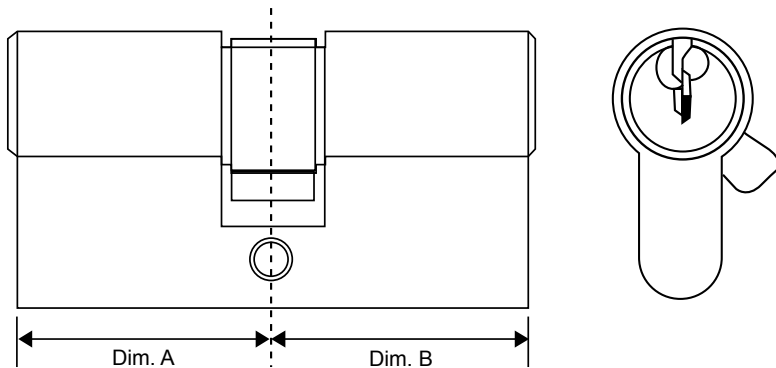
Technical Data

Paired alike - this provides "same key" convenience and eliminates the need for different keys where a pair of cylinders are used, for example on french doors or on a front and back door.

Box Qty: 20 (10 pairs)



Technical Drawing



Pro-Linea 6 Pin Paired Alike Cylinders

Double profile cylinders supplied paired in two's.

Pro-Linea cylinders from Mila provide security and proven reliability as standard. A comprehensive range of sizes and finishes are available.

- : Over 100,000 effective differs
- : Anti-drill pins provide protection against drilling
- : Corrosion and temperature resistant for reliability in extreme temperatures
- : Available in polished brass and polished chrome finishes
- : Suites with other Pro-linea products
- : BS EN 1303 - Grade 6 - Pro-Linea cylinders meet all relevant standards and have been independently certified to BS EN 1303 - Grade 6.
- : BS EN 1303 Classification: 1 6 0 0 0 C 6 0



Part Numbers

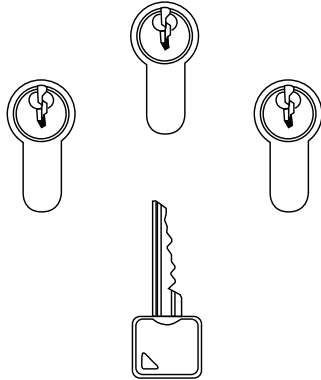
Description	Type	Size	Polished Brass	Polished Chrome
Pro-Linea 6 Pin Cylinder, Paired Alike	Euro Double	35/35	3535EDM6PB2	3535EDM6PC2
Pro-Linea 6 Pin Cylinder, Paired Alike	Euro Double	40/40	4040EDM6PB2	4040EDM6PC2
Pro-Linea 6 Pin Cylinder, Paired Alike	Euro Double	40/45	4045EDM6PB2	4045EDM6PC2
Pro-Linea 6 Pin Cylinder, Paired Alike	Euro Double	40/50	4050EDM6PB2	4050EDM6PC2
Pro-Linea 6 Pin Cylinder, Paired Alike	Euro Double	40/55	4055EDM6PB2	4055EDM6PC2
Pro-Linea 6 Pin Cylinder, Paired Alike	Euro Double	40/60	4060EDM6PB2	4060EDM6PC2
Pro-Linea 6 Pin Cylinder, Paired Alike	Euro Double	45/45	4545EDM6PB2	4545EDM6PC2
Pro-Linea 6 Pin Cylinder, Paired Alike	Euro Double	45/50	4550EDM6PB2	4550EDM6PC2
Pro-Linea 6 Pin Cylinder, Paired Alike	Euro Double	45/55	4555EDM6PB2	4555EDM6PC2
Pro-Linea 6 Pin Cylinder, Paired Alike	Euro Double	50/50	5050EDM6PB2	5050EDM6PC2

to place your order simply call our sales team direct on 01327 312 400

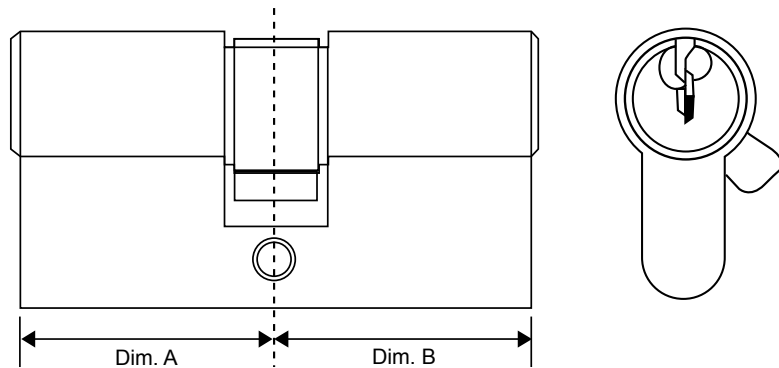
Technical Data

Keyed alike - this provides "same key" convenience and eliminates the need for multiple keys where numerous cylinders are used. For example, the same key can be used for front door, back door and french doors.

Box Qty: 20



Technical Drawing



Pro-Linea 6 Pin Keyed Alike Cylinders

Pro-Linea cylinders from Mila provide security and proven reliability as standard. A comprehensive range of types, sizes and finishes are available for all applications:

- Over 100,000 effective differs
- Anti-drill pins provide protection against drilling
- Corrosion and temperature resistant for reliability in extreme temperatures
- Available in polished brass and polished chrome finishes
- Suites with other Pro-linea products
- BS EN 1303 - Grade 6 - Pro-Linea™ cylinders meet all relevant standards and have been independently certified to BS EN 1303 - Grade 6.
- BS EN 1303 Classification: 1 6 0 0 0 C 6 0
- Box quantity 20



Part Numbers

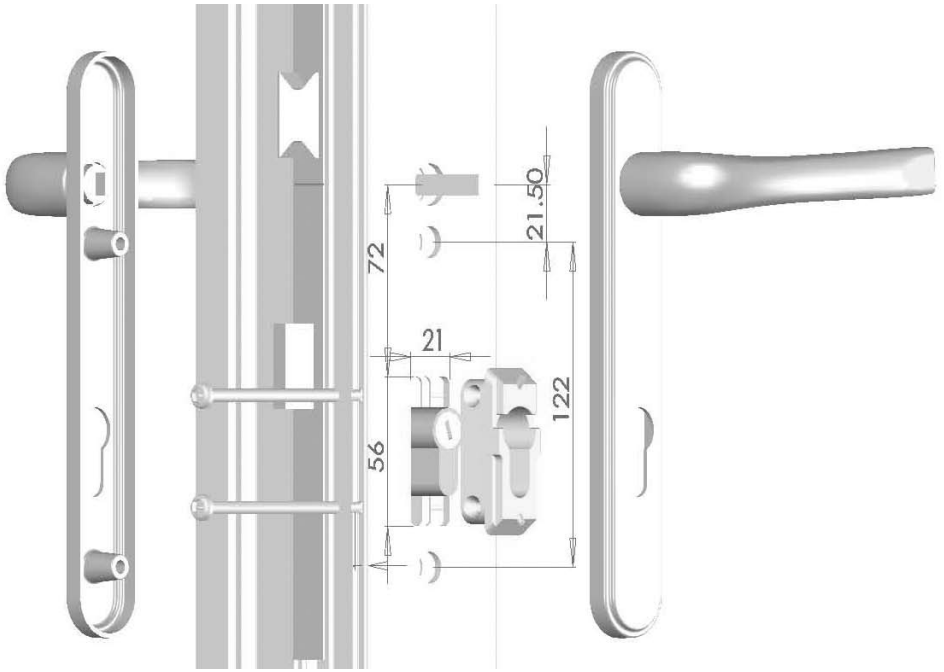
Description	Type	Size	Polished Brass	Polished Chrome
Pro-Linea 6 Pin Cylinder, Keyed Alike	Euro Double	30/30	3030EDPBM620	3030EDPCM620
Pro-Linea 6 Pin Cylinder, Keyed Alike	Euro Double	35/35	3535EDPBM620	3535EDPCM620
Pro-Linea 6 Pin Cylinder, Keyed Alike	Euro Double	35/45	3545EDPBM620	3545EDPCM620
Pro-Linea 6 Pin Cylinder, Keyed Alike	Euro Double	35/50	3550EDPBM620	3550EDPCM620
Pro-Linea 6 Pin Cylinder, Keyed Alike	Euro Double	35/55	3555EDPBM620	3555EDPCM620
Pro-Linea 6 Pin Cylinder, Keyed Alike	Euro Double	40/40	4040EDPBM620	4040EDPCM620
Pro-Linea 6 Pin Cylinder, Keyed Alike	Euro Double	40/45	4045EDPBM620	4045EDPCM620
Pro-Linea 6 Pin Cylinder, Keyed Alike	Euro Double	40/50	4050EDPBM620	4050EDPCM620
Pro-Linea 6 Pin Cylinder, Keyed Alike	Euro Double	40/55	4055EDPBM620	4055EDPCM620
Pro-Linea 6 Pin Cylinder, Keyed Alike	Euro Double	40/60	4060EDPBM620	4060EDPCM620
Pro-Linea 6 Pin Cylinder, Keyed Alike	Euro Double	45/45	4545EDPBM620	4545EDPCM620
Pro-Linea 6 Pin Cylinder, Keyed Alike	Euro Double	45/50	4550EDPBM620	4550EDPCM620
Pro-Linea 6 Pin Cylinder, Keyed Alike	Euro Double	45/55	4555EDPBM620	4555EDPCM620
Pro-Linea 6 Pin Cylinder, Keyed Alike	Euro Double	50/50	5050EDPBM620	5050EDPCM620

Guarantees & Accreditations

Mechanical Guarantee	5 years
Labour Guarantee	2 years

to place your order simply call our sales team direct on 01327 312 400

Technical Drawing



Evolution Cylinder Guard

The Evolution cylinder guard has been designed and developed to protect a potential vulnerability of standard cylinders - cylinder snapping.

The Evolution cylinder guard fits beneath most standard handle backplates and can be installed during manufacture or, most importantly, can be retro-fitted on site.

The chamfered design and die-cast construction of the Evolution Cylinder Guard protects both the handle and cylinder and significantly reduces their vulnerability to direct attack. Additionally twin grub screws clamp the cylinder in place effectively protecting against "pulling".

During indicative testing the Evolution cylinder guard has been proven to resist attack for over 10 minutes, whereas without the cylinder guard access can usually be gained (by those familiar with the method) within seconds.

The Evolution Cylinder Guard is suitable for use with most Mila Pz 92 handle sets.



Part Numbers

Description

Evolution Cylinder Guard

Part No.

059235

Guarantees & Accreditations

Mechanical Guarantee

5 years

Labour Guarantee

2 years

to place your order simply call our sales team direct on 01327 312 400