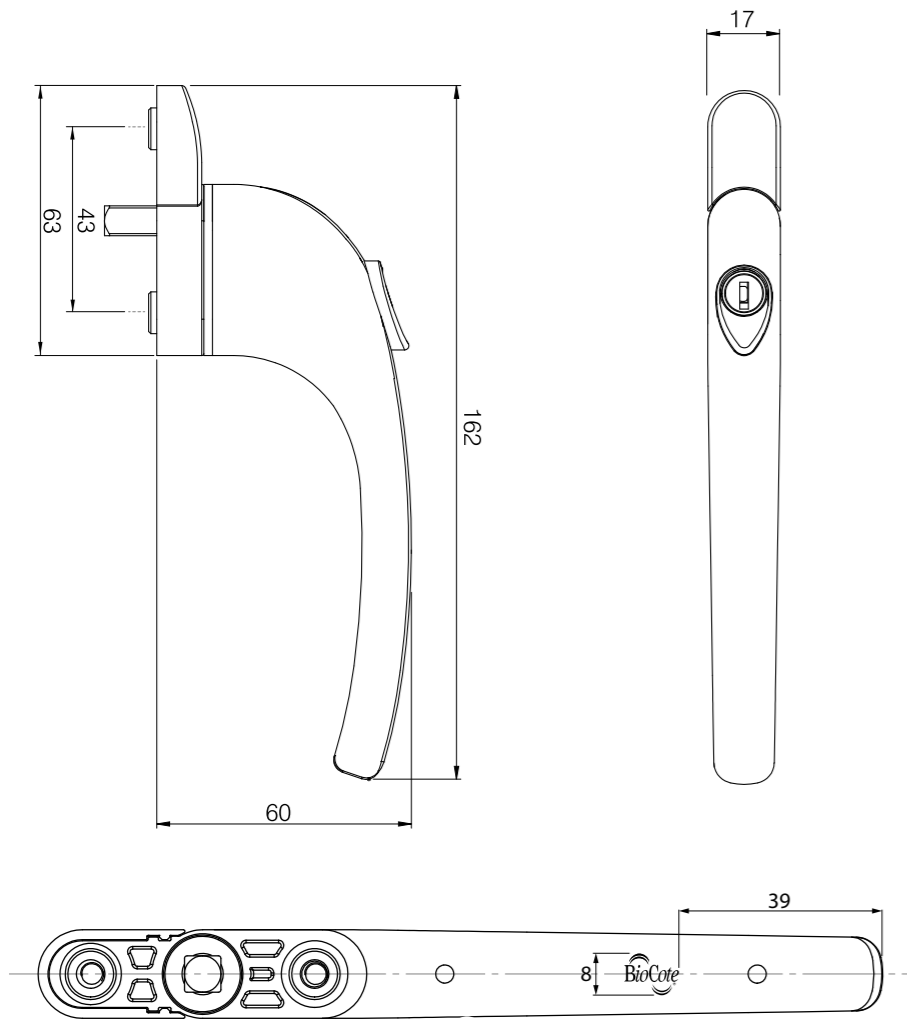


DIMENSIONAL DRAWINGS



grip™ CleanTouch

green reliable intelligent polymer

PART NUMBERS

Description	Spindle Length	Part Number
Grip™ CleanTouch Espag Handle	15mm	589402
Grip™ CleanTouch Espag Handle	20mm	589403
Grip™ CleanTouch Espag Handle	30mm	589406
Grip™ CleanTouch Espag Handle	40mm	589407

5 WAYS TO ORDER

Phone	01327 312 400
Fax	01327 872 575
Online	www.mila.co.uk
E-mail	sales@mila.co.uk
Face-to-face	with your Mila field sales contact



The only BioCote protected window handle range in the UK
Effective against bacteria, mould & fungi. Hygiene from within.



Grip™ CleanTouch
The only BioCote protected window handle range in the UK
Effective against bacteria, mould & fungi. Hygiene from within.



grip™
cleantouch

The only antimicrobial technology certified by HACCP International



ANTIMICROBIAL WINDOW HANDLE

green reliable intelligent polymer

In an industry exclusive, Mila has partnered with pioneer and global provider of antimicrobial solutions BioCote in this latest product innovation.

The Grip™ CleanTouch espag handle has been developed by Mila's in-house product design team and has a European patent.

Grip™ is manufactured from a high-strength ABS material permeated with antimicrobial technology, rather than a laquer, to provide continuous built-in protection for the lifetime of the product. This intelligent antimicrobial technology resists the growth and spread of microbes such as the H1N1 influenza virus.

Mila is the only hardware company to offer this BioCote technology.

Suitable for PVCu, timber & aluminium window systems

BioCote Protected HACCP Approved

Industry Exclusive
BioCote® Antimicrobial Technology provides continuous built-in lifetime protection

96% Reduction
in the level of bacteria

Permanent, Continuous Built-In Antimicrobial Protection
for the expected lifetime of the product.
Will not wear off or wash away

'Antimicrobial' Resists the Growth of Microbes
including bacteria, moulds, fungi & the H1N1 influenza virus

Every Batch Is Tested
during manufacture & is laser printed with a unique reference code for complete traceability

High-Gloss Finish
& inherent UV stability, independently tested to automotive international standards

60% Less Embodied Carbon
than a zinc window handle & certified by The Carbon Trust, fully recyclable & meets latest Building Regulation requirements

Manufactured from
High-Strength PolyComposite ABS

Stronger Than a Zinc Window Handle
strength tested to over 60Kg

HACCP Certified
BioCote is the only HACCP* certified antimicrobial technology in the UK which means it is safe to be used in areas where food hygiene is paramount

*food safety methodology
Hazard Analysis Critical Control Point

Tested to Last a Lifetime
independently tested to 50,000 cycles

Warm-Touch Grip
using temperature resistant thermoplastic

Never-Rust Material
100% corrosion & chemical resistant, suitable for aggressive environments

grip™
CleanTouch

BioCote branded & unique batch reference number under the lever for easy identification & complete traceability

NEED TO KNOW

- New 'slide and clip' screw cap covers the whole of the rose, is easy-to-fit and is design registered
- Ergonomic button with options of locking, push-button and green-button for emergency exit
- Available in 15mm, 20mm, 30mm and 40mm spindle lengths
- Supplied complete with fixing screws as standard
- Can be matched to any RAL colour
- Also available in polished chrome effect or polished gold effect finishes

World Health Organisation
The H1N1 influenza virus caused a 2009 pandemic. The world is now in the post-pandemic period. Based on knowledge about past pandemics, the H1N1 (2009) virus is expected to continue to circulate, causing variable levels of disease and outbreaks, for some years to come.

WHO advises that there is still public health value in using monovalent H1N1 vaccine to immunize persons at risk of severe disease from H1N1 influenza infection as well as other measure to combat the international spread of outbreaks.

Reference:
www.who.int
WHO recommendations for the post-pandemic period
Pandemic (H1N1) 2009 briefing note 23



GUARANTEES

- 10 year mechanical guarantee
- 25 year surface finish guarantee



Sales 01327 312 400