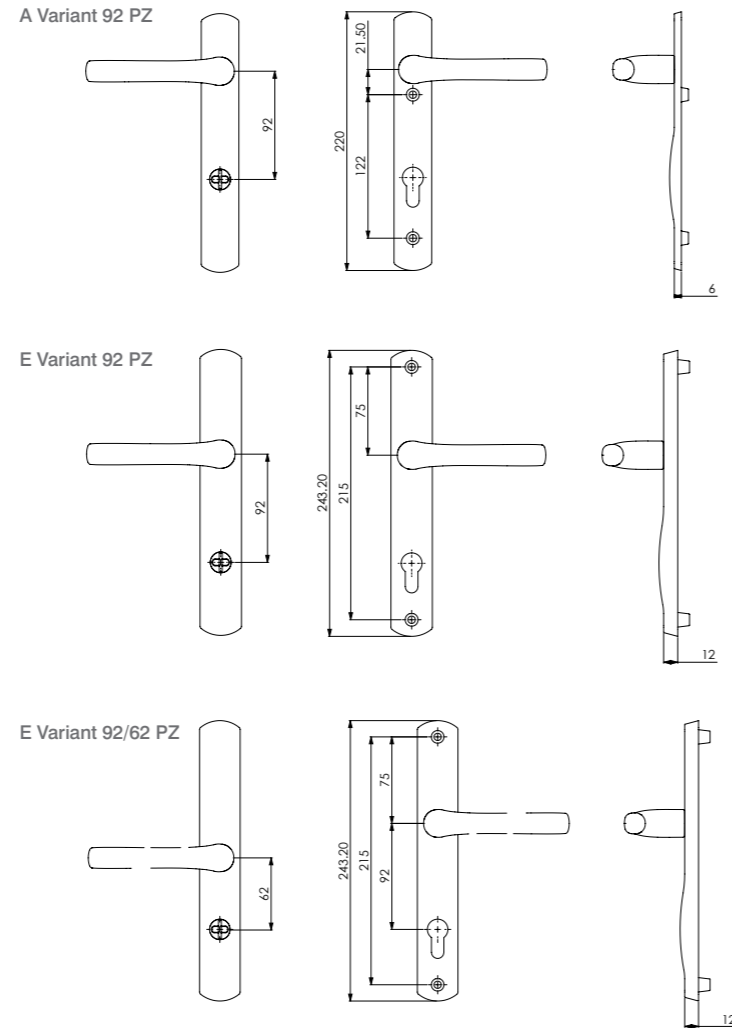


Technical Specification

Type	High security door handles
Material	Stainless steel
Pz	92
A Variant	220mm to suit most standard Pz 92 multipoint locks
E Variant	240mm to suit Mila Master and Paddock Lockmaster multipoint locks (sprung locks only)
Lever Options	3 lever options - lever/lever, lever/pad, D-lever
Cycles	50,000
Salt Spray (hrs)	480 hrs
Accreditations	PAS 023 (operational reliability), PAS 024 (enhanced security), EN1906: grade 4 (extra high burglary resistance), Secured by Design (Police Preferred Specification)
Finishes	Polished stainless steel, brushed stainless steel, polished gold stainless steel



The Evolution High Security Door Handle provides proven protection against handle snapping, cylinder de-plugging & cylinder drilling & is SBD, PAS 024 & EN1906 accredited.

Mila has been the UK's leading distributor of hardware to the replacement window & door industry for over 30 years. Our comprehensive product range includes our own innovative Mila brand products, designed & developed in-house, as well as other market-leading brands enabling us to offer value, mid-range & premium product solutions to every customer, for almost any application, in every market sector.



Finishes & Lever Options



Above: The Evolution high security door handle is available in polished stainless steel, brushed stainless steel & polished gold stainless steel finishes & in either lever/lever or lever/pad options. D-lever also available as a special order item.

Part Numbers

Description	Variant	PZ	Type	Polished Stainless	Polished Gold Stainless	Brushed Stainless Steel
Evolution Door Handle	A	92	Lever/ Lever	051440	051443	051441
Evolution Door Handle	E	92	Lever/ Lever	051560	051563	051561
Evolution Door Handle	E	92/62	Lever/ Lever	051540	051543	051541

order by phone today on

01327 312 400

order by email today at

sales@mila.co.uk

10 years Mechanical Guarantee
2 years Labour Guarantee
10 years Surface Finish (powder coated) Guarantee
5 years Surface Finish (plated) Guarantee



Mila
 1 Brunel Close, Drayton Fields Ind. Est.
 Daventry, Northamptonshire. NN11 8RB
 Mila Sales. 01327 312 400
 Web. www.mila.co.uk



order before 5pm for next day delivery

Evolution High Security Door Handles

Mila's premium range of Evolution high security door handles, designed in-house by Mila's product design team, combines innovative security features to provide proven enhanced security as well as best value and peace-of-mind.

Cast from solid stainless steel for superior strength, the Evolution high security door handle has an innovative backplate design.

Chamfered backplate shoulders provide anti-grip protection for mole grip resistance.

A cylinder guard is integrated within the backplate encasing the cylinder to provide anti-snap protection. In addition, the cylinder face is also shielded with a slotted, rotating disc providing an effective barrier against cylinder drilling and deplugging. For ease of fabrication the disc is captive within the backplate.

The Evolution door handle range has ergonomic universal lever/lever or lever/pad options to suit both left or right handed doors. Finger grips offer comfort during use. A D-lever is also available and particularly suitable for applications for the elderly and infirm.

Handlesets are available in two backplate sizes, A and E variants, to suit most locking systems. A spring module can be added for use with unsprung door locks.

The Evolution door handle is supplied complete with three sizes of fixing screws and two spindles to suit all common door thicknesses.

Evolution door handles have been independently tested at the UKAS accredited Mila Test Centre and Exova Warrington and have successfully achieved 50,000 cycles under load as part of the operational reliability requirements of PAS 023, have exceed the enhanced security requirements of PAS 024, have met the 'extra high burglar resistance' criteria of EN1906: grade 4, have met the official Police security initiative requirements of Secured by Design and have achieved the salt spray test requirements of BS 6375: parts 1 and 2 achieving 480 hours for guaranteed weather resistance.

Evolution door handlesets are available in a choice of 3 finishes - polished stainless steel, brushed stainless steel and polished gold effect stainless steel. All finishes suite with other Mila window and door products for a coordinated look.



Above: The Evolution high security door handle with an ergonomic D-lever, shown in brushed stainless steel

- **Police Preferred Specification.** Meets the enhanced security requirements of Secured by Design.

- **Passive Security.** Secured by Design logo etched onto backplate acts as a visual deterrent.

- **Intelligent Design.** Integrated cylinder guard anti-snap protection.

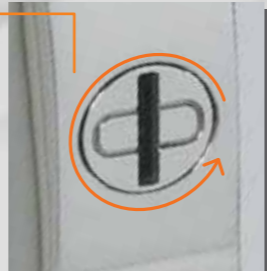
- **Innovative Features.** Captive anti-plug, anti-drill rotating disc shields cylinder face.

- **Smart Form & Function.** Chamfered backplate shoulders provide clever mole-grip resistance.

- **4-in-1 Attack Resistance.** Protects against handle snapping, cylinder snapping, cylinder de-plugging & cylinder drilling.

- **Superior Strength.** Manufactured from 980 grams of cast stainless steel for heavy duty anti-handle snap protection.

- **Extreme Standards.** Meets the 'extra high burglary resistance' requirements of BS EN1906: Grade 4



Mila's Evolution door handles are the only high security handlesets on the market to be cast using over 980 grams of solid stainless steel.

The Evolution High Security Door Handle protects against 4 common types of attack:

- 1 Handle Snapping**
 The cast stainless steel design and enhanced fixings make it practically impossible to jemmy the handle backplate from the door leaf. Chamfered backplate shoulders provide anti-grip protection.
- 2 Cylinder Snapping**
 An integrated cylinder guard, visible within the raised backplate design, forms a formidable barrier around the cylinder, protecting it from attack.
- 3 Cylinder De-plugging**
 An integral anti-plug disc, captive within the backplate, locates directly over the cylinder face to shield it from attack.
- 4 Cylinder Drilling**
 An innovative anti-drill disc spins if attacked with a drill, preventing the drill bit from penetrating the cylinder.