

ProLinea Escutcheons are part of our range of coordinated door furniture & are available in 6 high performance suited finishes.

Mila has been the UK's leading distributor of hardware to the replacement window & door industry for over 30 years. Our comprehensive product range includes our own innovative Mila brand products, designed & developed in-house, as well as other market-leading brands enabling us to offer value, mid-range & premium product solutions to every customer, for almost any application, in every market sector.



- Zinc alloy clip-fit cover
- ABS fixing plate
- Face-fixed
- Two screw fixing, no pre-drilling required
- Weather resistant - salt spray tested to 480 hours
- Available in 6 finishes including smokey chrome & satin chrome
- Suitable for PVCu, timber & aluminium applications
- Ideal for use with stable door locks & door locks with additional cylinder operated deadbolts
- Suits with Mila ProLinea & ProStyle door furniture ranges



order by phone
today on

01327 312 400

order by email
today at

sales@mila.co.uk

order before 5pm for next day delivery

Six high performance suited finishes including SupaChrome500.



Above: ProLinea Escutcheons shown in polished gold PVD, polished chrome with SupaChrome500 coating, smokey chrome, brushed satin chrome, white and black.

Above: Escutcheon reverse showing fixing plate

ProLinea Escutcheons

Mila's range of suited ProLinea escutcheons have been designed by our in-house product development team. They suite perfectly with Mila's ProLinea and ProStyle door furniture ranges which includes door handles and letterboxes, for a completely coordinated look.

ProLinea escutcheons have just 2 main components and are face-fixed, so simple to fit. Two screws secure the ABS plastic fixing plate to the sash with no pre-drilling required. The cover, manufactured from

zinc alloy, locates over the fixing plate with a snug clip-fit for effortless installation.

ProLinea escutcheons are available in 6 high performance finishes - powder coated white and black, polished gold pvd, polished chrome with SupaChrome500 coating, smokey chrome and brushed satin chrome. All finishes have been independently salt spray tested at a UKAS accredited test house and achieved 240 hours for plated finishes and 480 for powder coated finishes.

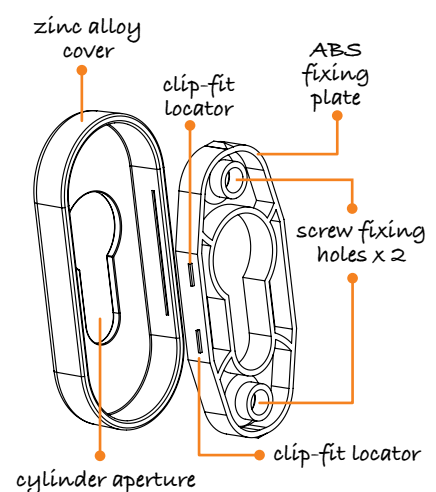
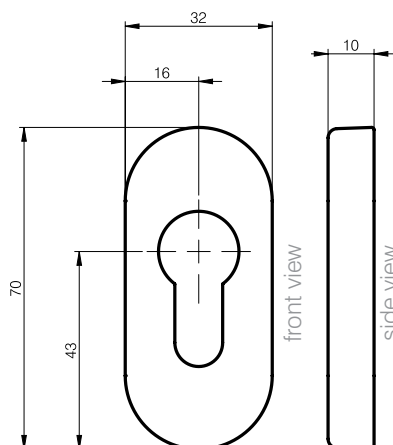
The escutcheons are suitable for use on PVCu, aluminium and timber applications. They are particularly ideal for use with the Paddock Custodian door lock which features locking deadbolts top and bottom as well as stable door locks for the locking bottom half, both available from Mila.

Escutcheons are packaged in complete sets of two covers and two fixing plates.

Technical Specification

Material - cover	Zinc alloy
Material - fixing plate	ABS plastic
Height	70mm
Width	32mm
Depth	10mm
Salt Spray	240 hours (plated) 480 hours (powder coated)

Ask us about our suited door furniture ranges today



Part Numbers

Description	Polished Gold PVD	Polished Chrome	Smokey Chrome	Satin Chrome	Black	White
ProLinea Escutcheon Set	059224	059221	059225	059222	059227	059228

10 years Surface Finish (powder coated) Guarantee

5 years Surface Finish (plated) Guarantee

Terms & conditions apply. Visit www.mila.co.uk for more info.

Mila
1 Brunel Close, Drayton Fields Ind. Est.
Daventry, Northamptonshire. NN11 8RB
Mila Sales. 01327 312 400
Web. www.mila.co.uk

Please note that next day delivery is to UK mainland only