

SUPA™ PULL BAR HANDLE RANGE

Mila's range of Supa™ stainless steel pull bars combine stylish design, with long-lasting finishes and proven strength. They have been corrosion resistance tested to over 1000 hours and is the only pull bar range on the market to include a duo finish.

Mila's new Supa™ pull bar handle range is manufactured from stainless steel and is available in two grades. Standard 304 and 316 which is marine grade - perfect for coastal regions and areas of high pollution.

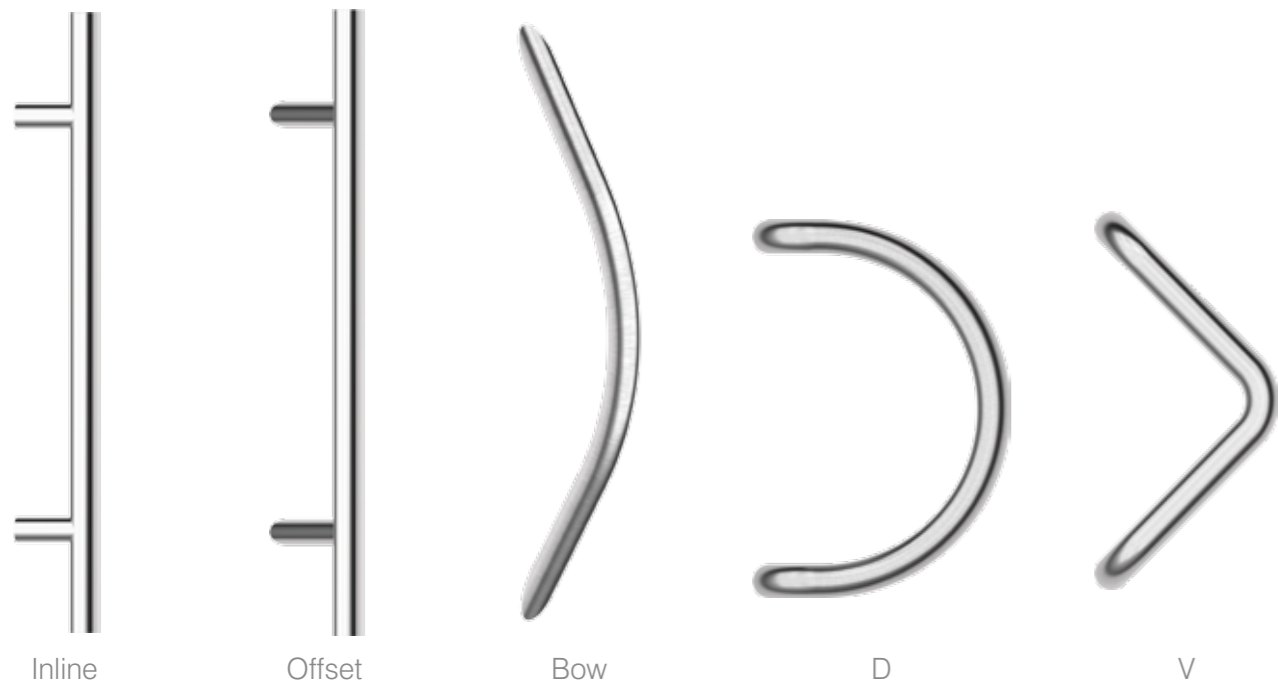
The range includes both inline and offset bars in a choice of three finishes - brushed stainless steel as well as two duo finishes in stainless and gold which combine polished and brushed effects. The bars are available in eight lengths to suit a range of door styles.

There are also D, V and bow shaped handles in brushed stainless steel as well as knobs.

A choice of three fixing options are available - through-fix, concealed fix or back-to-back fixing.

The Supa™ stainless steel range has been independently tested to the latest British Standards at Exova including BS EN 1670:2007 Grade 5 achieving 480 hours salt spray for proven weather resistance. The range has also been tested to beyond the salt spray standard requirement, achieving 1000 hours.

5 STYLES



The Supa™ stainless steel pull bar range is supplied with a 25 year surface finish guarantee.

Suitable for PVCu, Composite, Aluminium and Timber doors

STAINLESS STEEL GRADE	DESCRIPTION
304	Contains 18% chromium & 8% nickel for ease of fabrication and cleaning purposes. It is the most versatile and most widely used stainless steel.
316	Contains 16% Chromium, 10% Nickel & 2% Molybdenum. The Molybdenum gives the steel better overall corrosion resistant properties than Grade 304, particularly higher resistance to pitting and crevice corrosion in chloride environments.



DUO FINISH A CLOSER LOOK

Duo Finish Option
Polished stainless steel ends combined with a brushed stainless steel centre, a clever design which looks stylish & conceals finger-prints.

Choice of 2 Stainless Steel
Options of 304 standard grade & 316 marine grade which is perfect for coastal regions & areas of high pollution

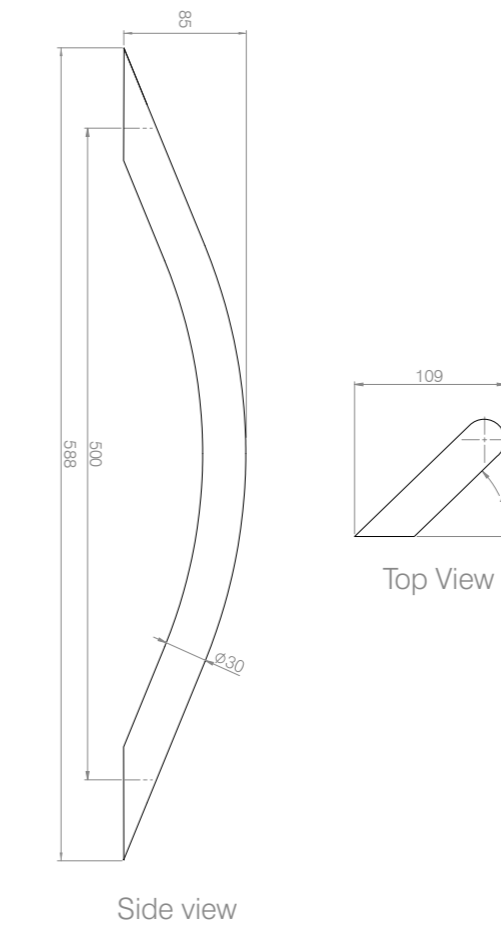
1000 Hours Corrosion Resistance
Independently tested beyond British Standard requirements to 1000 hrs

Quality Guaranteed
A long lasting finish, guaranteed for 25 years

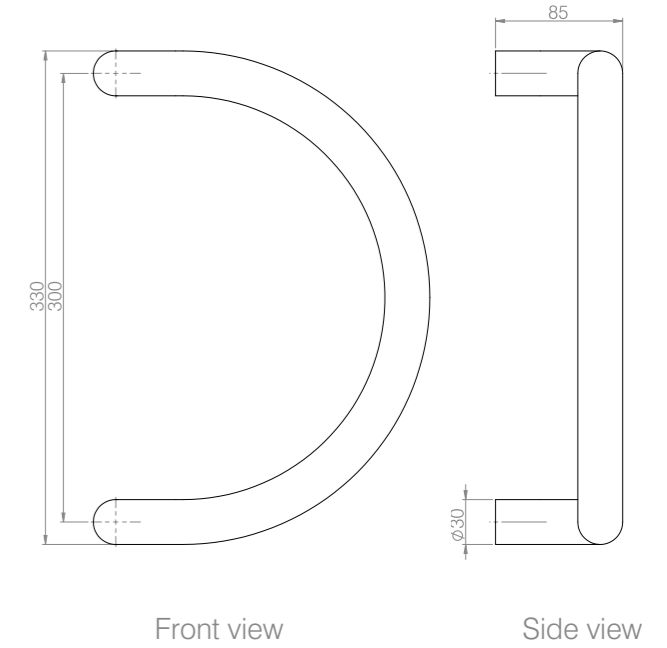
3 Fixing Options
through-fix, back-to-back or concealed-fix

SUPA™ PULL BAR HANDLES DIMENSIONAL DRAWINGS

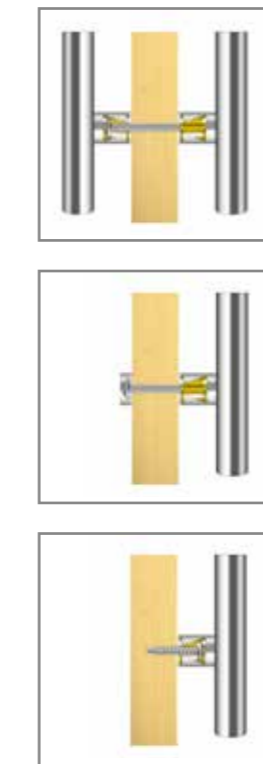
BOW
2 Fixing Points



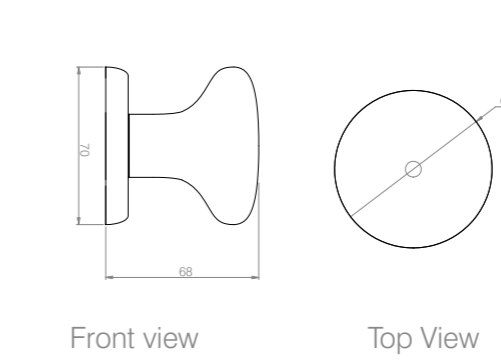
D-SHAPE
2 Fixing Points



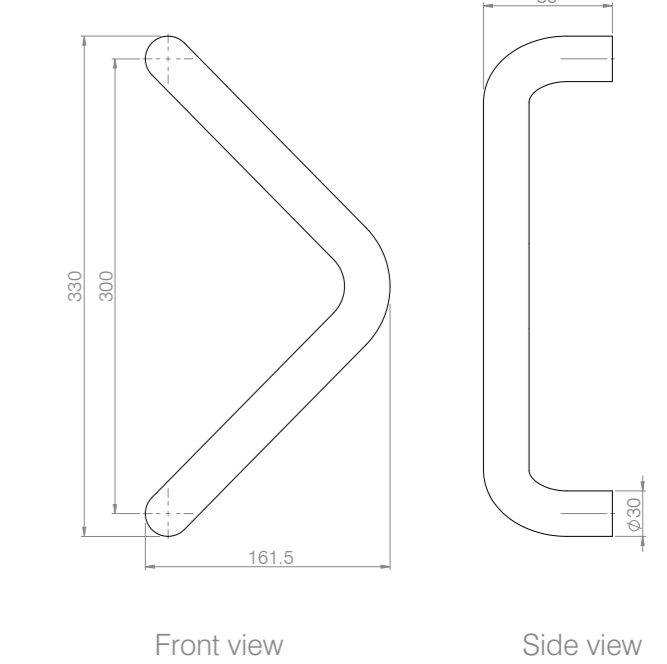
3 FIXINGS OPTIONS



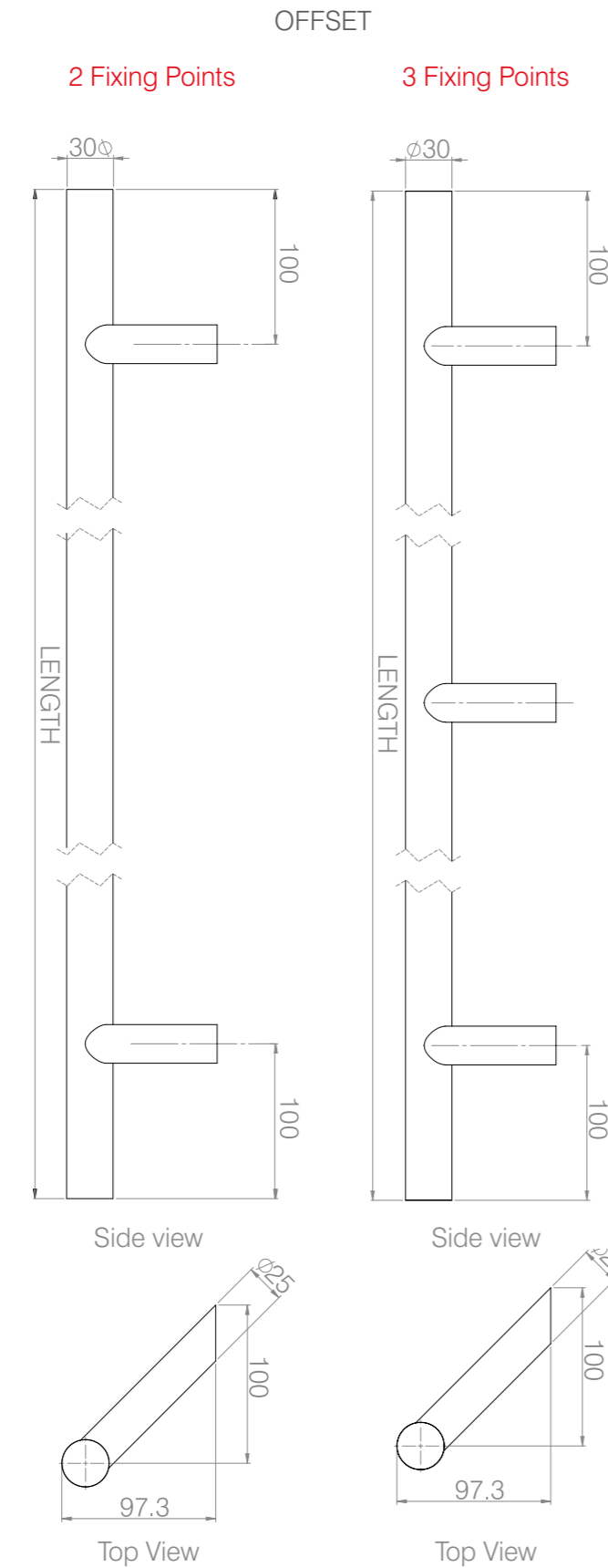
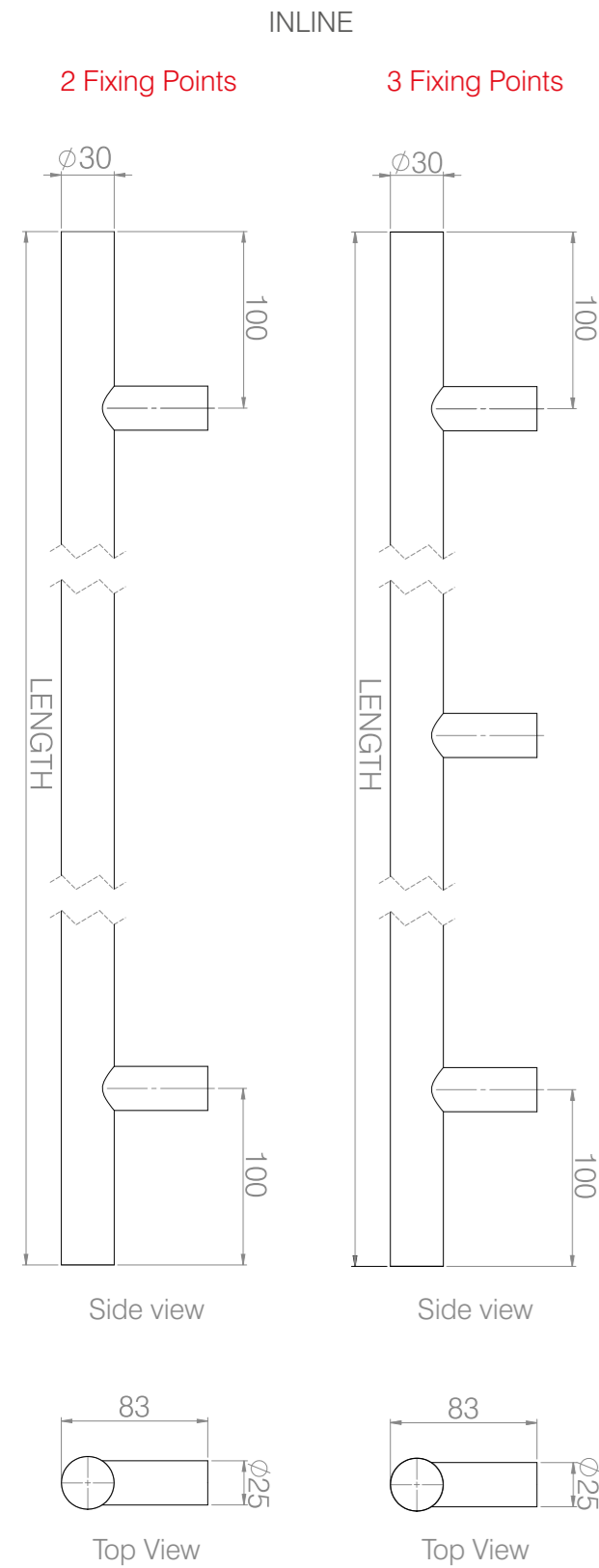
DOOR KNOB
1 Fixing Point



V-SHAPE
2 Fixing Points



SUPA™ PULL BAR HANDLES DIMENSIONAL DRAWINGS



PART NUMBERS

Bar Style	Length	Stainless Steel Grade	Fixing Points	Brushed Stainless	Duo Stainless	Duo Gold Stainless
Offset Bar	400mm	304	2	573002	-	-
Offset Bar	600mm	304	2	573012	573010	573013
Offset Bar	800mm	304	2	573022	-	-
Offset Bar	1000mm	304	2	573032	573030	573033
Offset Bar	1200mm	304	2	573042	573040	573043
Offset Bar	1400mm	304	3	573052	-	-
Offset Bar	1600mm	304	3	573062	-	-
Offset Bar	1800mm	304	3	573072	-	-
In-line Bar	400mm	304	2	573102	-	-
In-line Bar	600mm	304	2	573112	-	-
In-line Bar	800mm	304	2	573122	573120	573123
In-line Bar	1000mm	304	2	573132	573130	573133
In-line Bar	1200mm	304	2	573142	-	-
In-line Bar	1400mm	304	3	573152	-	-
In-line Bar	1600mm	304	3	573162	-	-
In-line Bar	1800mm	304	3	573172	573170	573173
D-Shape	332mm	304	2	573202	-	-
V-Shape	332mm	304	2	573212	-	-
Bow	585mm	304	2	573222	-	-
Knob	N/A	316	1	574002	574000	574003


316 special order

Fixing Kit*	Application	Part No.	Polished Stainless	Brushed Stainless	Polished Gold
Through-Fix	30mm Diameter	-	573301	573302	573304
Back-to-Back	25/30mm Diameter	573310	-	-	-
Concealed Fix	25/30mm Diameter	573320	-	-	-
Through-Fix	25mm Diameter	-	573331	573332	573334

*Sold separately

5 WAYS TO ORDER

- Phone** 01327 312 400
- Fax** 01327 872 575
- Online** www.mila.co.uk
- E-mail** sales@mila.co.uk
- Face-to-face** with your Mila field sales contact

 DELIVERED NEXT DAY

We provide next day delivery as standard to UK mainland but if you want your hardware in a hurry we also offer next day pre 9am, pre noon or even a specific day, just ask.



Supa™
Stainless Steel Pull Bar Range

including the only duo finish pull bar handles on the market. Supa™