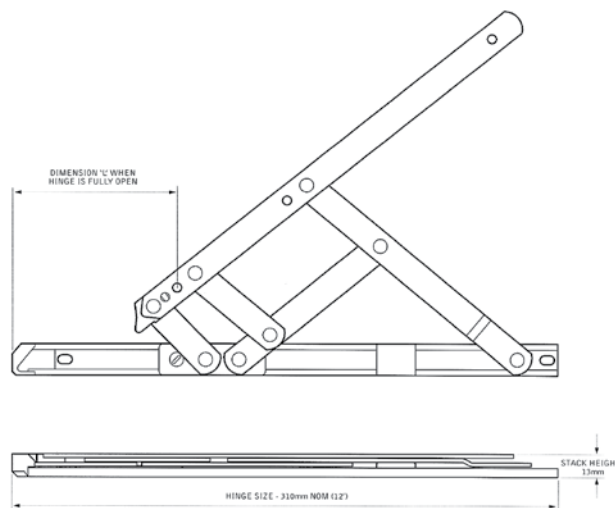


# Order by 5pm for Next Day Delivery

## Technical Drawings



### Fixing Hole Details

	L(mm)
Top hung 6"	63
Top hung 8"	83
Top hung 10"	131
Top hung 12"	164
Top hung 16"	239
Top hung 20"	215
Top hung 24"	156
Side hung 12"	172
Side hung 16"	170

### Recommended Maximum Sash

Description	Size (")	Width (mm)	Height (mm)	Weight (kg)	Opening (°)
Top Hung	6	150	300	10	50°
Top Hung	8	200	350	12	50°
Top Hung	10	275	400	16	80°
Top Hung	12	350	550	20	80°
Top Hung	16	500	780	21	80°
Top Hung	20	700	1100	26	50°
Top Hung	24	850	1300	40	37.5°
Side Hung	12	300	600	22	60°
Side Hung	16	400	700	24	60°

## Defender Friction Stays are for general purpose use & suitable for both top hung & side hung standard casement windows.

- Suitable for both top hung and side hung casement windows
- Simple friction adjustment without metal-to-metal contact
- Patented lipped slider for smooth operation
- Asymmetric location system for reliable weather-sealing
- Manufactured from high grade Austenitic (304) and Ferritic (430) stainless steel
- Top hung application sizes available: 8", 10", 12", 16", 20" and 24"
- Standard Defender in 13mm stack height
- Defender Highline in 16 and 17mm stack height
- Top hung recommended maximum sash weight - 10kg - 40 kg
- Side hung recommended maximum sash weight - 24 kg
- Successfully tested to 50, 000 cycles
- Achieves 96 hours salt spray test
- BBA approved product
- Box quantities - 8" in boxes of 50, all other sizes in boxes of 25



### Part Numbers

Description	Size (")	13mm Stack Height	16mm Stack Height	17mm Stack Height
Top Hung	6	028000	-	-
Top Hung	8	028002T	028022T*	028042T
Top Hung	10	028004	028024	028044
Top Hung	12	028006	028026*	028046
Top Hung	16	028008	028028	028048
Top Hung	20	028010	028030	028050
Top Hung	24	028012	028032	028052
Side Hung	12	028014	028034	028054
Side Hung	16	028016	028036	028056

### Guarantees & Accreditations

**2** Labour  
Guarantee  
years

**10** Mechanical  
Guarantee  
years



742

visit us today at

**www.mila.co.uk**

call our sales team today on

**01327 312 400**